

PLEASE CHECK WWW.MOLEX.COM FOR LATEST PART INFORMATION

Part Number: [18-12-1221](#)
Status: **Active**
Description: 3.18mm Diameter HCS-125 Pin and Socket Crimp Terminal, Series 2047, Female with Tin (Sn) Plated Brass Contact, 16-18 AWG, Reel

Documents:

[Drawing \(PDF\)](#) [RoHS Certificate of Compliance \(PDF\)](#)
[Product Specification PSX-42179 \(PDF\)](#)

General

Product Family	Crimp Terminals
Series	2047
Application	Power
Crimp Quality Equipment	Yes
Packaging Alternative	18-12-1222 (Loose)
Product Name	HCS-125
UPC	800754202664

Physical

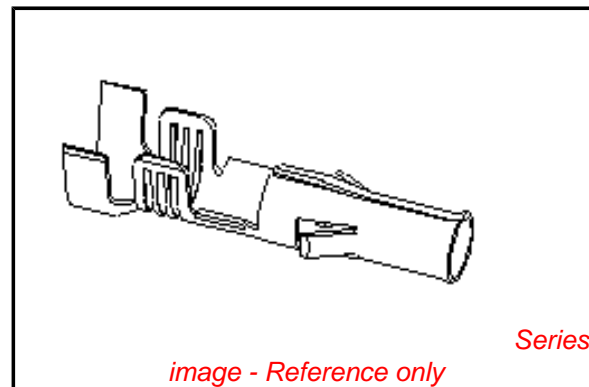
Gender	Female
Material - Metal	Brass
Material - Plating Mating	Tin
Material - Plating Termination	Tin
Net Weight	0.640/g
Packaging Type	Reel
Plating min - Mating	0.508µm
Plating min - Termination	0.508µm
Termination Interface: Style	Crimp or Compression
Wire Insulation Diameter	3.05mm max.
Wire Size AWG	16, 18
Wire Size mm ²	N/A

Material Info

Old Part Number [20471P901](#)

Reference - Drawing Numbers

Product Specification [PSX-42179](#)
 Sales Drawing [SD-2047-1*](#)



EU RoHS

ELV and RoHS Compliant
REACH SVHC Contains SVHC: No
Low-Halogen Status Low-Halogen

China RoHS



Need more information on product environmental compliance?

Email productcompliance@molex.com
 For a multiple part number RoHS Certificate of Compliance, [click here](#)

Please visit the [Contact Us](#) section for any non-product compliance questions.

Search Parts in this Series

[2047Series](#)

Mates With

[1900 Series](#), [2046 Series](#), [42554 Series](#)

Use With

[42179 Receptacle](#)

Application Tooling | [FAQ](#)

Tooling specifications and manuals are found by selecting the products below. Crimp Height Specifications are then contained in the Application Tooling Specification document.

Global

Description	Product #
Extractor Tool for .093 and HCS-125 Product Series	0638240200
Terminator Die Mini-Mac™ Applicator	0011402164 0638928000

This document was generated on 05/04/2015

PLEASE CHECK WWW.MOLEX.COM FOR LATEST PART INFORMATION