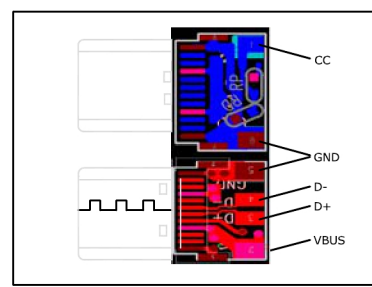


CONN1 :USB2.0 C Type

CONN2 :USB2.0 BM

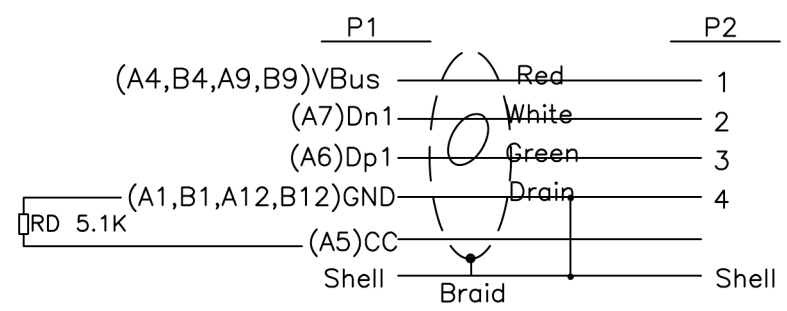
USB2.0 C Type PIN



Electrical Test:

1. 100%Test(Open ,short ,miss wire)
2. Contact Resistance: 2 ohm max.
3. Insulation Resistance: 10M ohm Min.
4. Hi-Pot: 300VDC/10ms.

Pin Assignment



⑪	A0020100-00174	USB TYPE C~n Back Nickel Plated Shell	1	pcs					
⑩	A0020100-00175	USB TYPE C~n Front Nickel Plated Shell~	1	pcs					
⑨	A10-R042106	W=5MM 25u 双导电铜箔	0.012	M					
⑧	A10-R075552	H.S TUBE Color:Black ϕ:1.0 L=16mm*1pcs	0.016	M					
⑦	A5-R047001	45P PVC Color:Sonw BLACK	16	g					
⑥	A5-R047011	Transparent PE	4	g					
⑤	B010-00871	USB 2.0 C Type Black Insulation Nickel Plated Shell With PCBA(Resistance5.1KΩ)	1	pcs					
④	A6-R028104	USB(B)M Front Shell Nickel Plated Shell	1	pcs					
③	A6-R028103	USB(B)M Front Shell Nickel Plated Shell	1	pcs					
②	A2-R028040	USB(B)M White Insulation Solder Type,G/F Plated Terminal	1	pcs					
①	A4-R003744	NO UL 26AWG(19/0.1TC)*2C+20AWG(30/0.165TC+250Dnylon)*1C+EAB(16/8/0.08TC 90%TC) OD:4.2MM black no mark	2.0	M					
NO.	ITEM	DISCRIPTION	Q'TY	UNIT					

REV.	变更号	DESCRIPTION	DATE
TOLERANCE		TITLE: USB2.0 CM to BM Cable L=2M	CUSTOMER : CPC
INCHES	M/M		
.X	.015 .30		
.XX	.010 .10	CUSTOMER NO.:	CS28715
.XXX	.005 .05	DRAWN BY	李敏
CHECK BY		SCALE	NONE
APPD BY		UNIT	MM
		DATE	2015.05.13
		DRAWING NO.:	C06026-00008
		REV	A01
			1/1