

MI DRG. NO.

TF500AB13C

REV.

TF500AB13 C**HIGH POWER ALN TERMINATION**

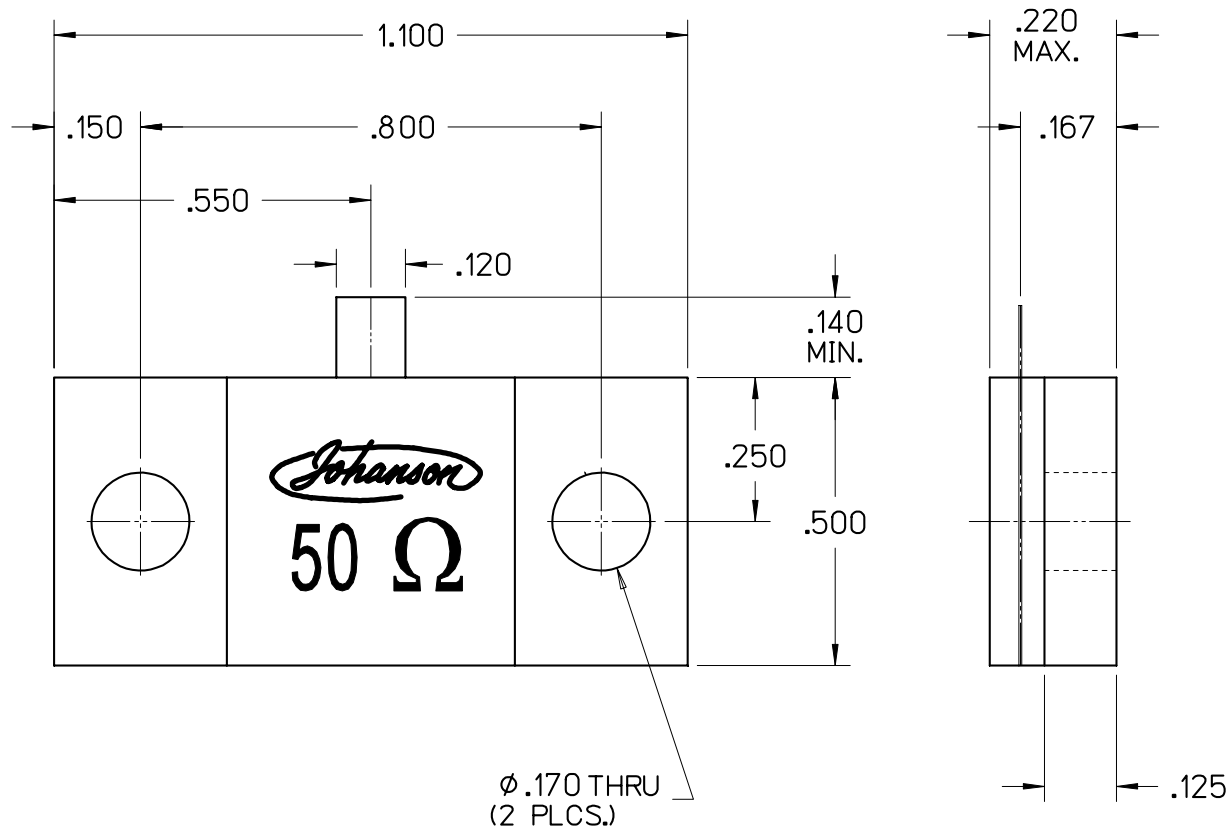
SPECIFICATIONS

FILE: TERMOUT

POWER MAX
(WATTS):

500 CW

RESISTANCE

50 OHMS ($\pm 5\%$)

C	01/17/09	MAI	MAI	MAI	000747
B	02/08/08	MLD	MAI	MAI	000644
A	08/10/07	SAF	-	-	000580
LEVEL	DATE	DRN.	CHK.	APP.	ECN

REVISIONS

DRN.	CHK.	APP.	SCALE
SAF	MAI	MAI	3" = 1"
DATE	DATE	DATE	.XX \pm .015
08/10/07	09/18/07	09/18/07	.XXX \pm .010

**JOHANSON MANUFACTURING CORPORATION**

ROCKAWAY VALLEY ROAD, BOONTON, N.J. 07005 (973)334-2676 FAX (973)334-2954
ELECTRONIC ACCURACY THROUGH MECHANICAL PRECISION

PROPRIETARY INFORMATION CONTAINED NOT TO BE USED WITHOUT JOHANSON MANUFACTURING CORPORATION APPROVAL