



Main

Range of product	Harmony XVGU
Product or component type	USB configurable monolithic tower light
Beacon or indicator bank unit type	3 illuminated units
Sound signalling	Buzzer
Mounting diameter	60 mm
Component name	XVGU
Light source	Multi-colour LED with steady or flashing signalling
Indicator bank base type	Base with integrated buzzer
Noise level	85 dB (2 tone buzzer signalling) at 1 m

Complementary

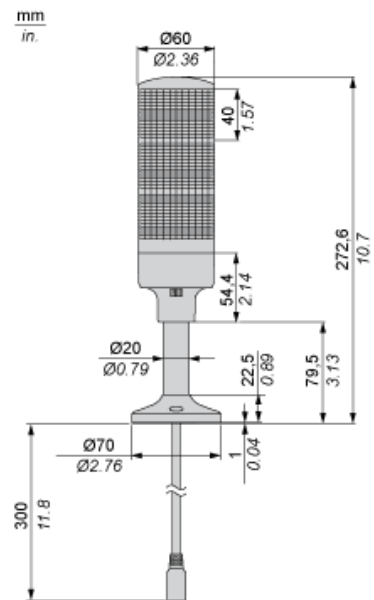
Material	PC (globe)
Device mounting	Tube mounting with fixing plate
Light block color	Clear/Clear/Clear
[Us] rated supply voltage	5 V DC
Connector type	USB type A female
Current consumption	400 mA
Sound frequency	3800 Hz 2700 Hz
Power consumption	2 W
Flashing frequency	1 Hz with flashing LED unit 2 Hz with flashing LED unit
Product compatibility	XBTGH XBTGC2. XBTGC1. XBTGK.... XBTGT.... HMIGTO Vijeo Designer 4.6(indoor use only)
Product weight	0.3 kg

Environment

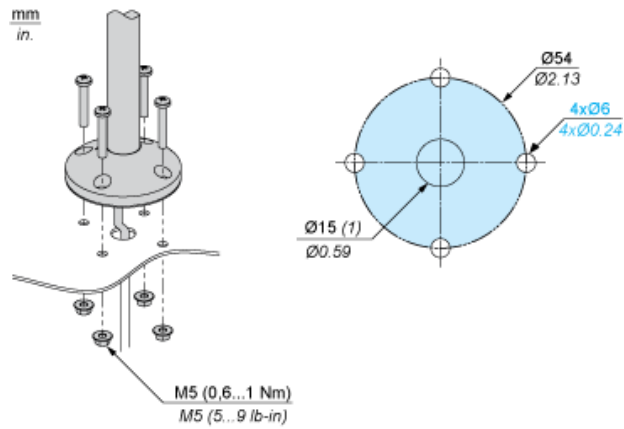
Standards	EN 61000-6-2 EN 61000-6-4
Product certifications	CE
Ambient air temperature for storage	-35...70 °C
Ambient air temperature for operation	0...55 °C
Class of protection against electric shock	Class I
IP degree of protection	IP42

Dimensions

Tube Mounting with Fixing Plate

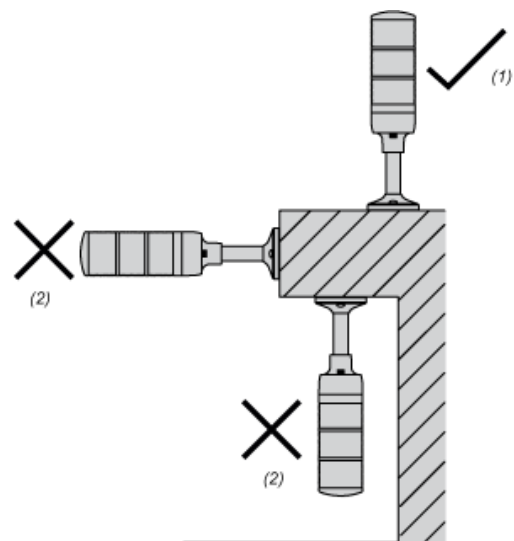


Mounting on Horizontal Support for Tube Mounting with Fixing Plate



(1) Cable outlet

Mounting Orientation



Choose a flat surface with enough strength and with little vibration for installation. Mount this product according to the figure to maintain IP characteristics.

- (1) OK
- (2) NO