



Control relay expansion relay output



Powering Business Worldwide™

Part no.
Article no.
Catalog No.

EASY618-DC-RE
232112

Delivery programme

Product range			Control relays easyRelay Multi-function-display MFD-Titan
Product range			Remote I/O systems Compact PLCs
Subrange			I/O expansions digital
Basic function			Expansions
Description			Can be used through easyLink
Function			Expansions EASY...
Accessories			I/O expansions digital
Inputs			
Inputs expansion (number)			digital: 12
Outputs			
Type			Relay
Supply voltage			24 V DC
For use with			easy700 easy800 EC4P MFD-CP8...

Approvals

Product Standards

UL File No.
UL Category Control No.
CSA File No.
CSA Class No.
North America Certification
Degree of Protection
shipping classification

IEC/EN see Technical Data; UL 508; CSA C22.2 No. 142-M1987; CSA C22.2 No. 213-M1987; CE marking
E135462
NRAQ, NRAQ7
012528
2252-01
UL listed, CSA certified
IEC: IP20, UL/CSA Type: -
DNV
LR
GL



General

Weight		kg	0.3
--------	--	----	-----

Climatic environmental conditions

Operating ambient temperature		°C	-25 to +55 cold as per IEC 60068-2-1 heat as per IEC 60068-2-2
Condensation			Take appropriate measures to prevent condensation
Storage	9	°C	-40 - +70
relative humidity		%	5 - 95
Air pressure (operation)		hPa	795 - 1080

Ambient conditions, mechanical

Protection type (IEC/EN 60529, EN50178, VBG 4)			IP20
Vibrations (IEC/EN 60068-2-6)		Hz	
Constant amplitude 0.15 mm		Hz	10 - 57
Constant acceleration 2 g		Hz	57 - 150
Mechanical shock resistance (IEC/EN 60068-2-27) semi-sinusoidal 15 g/11 ms		Impacts	18
Drop to IEC/EN 60068-2-31	Fallhöhe	mm	50

Free fall, packaged (IEC/EN 60068-2-32)		m	1
Mounting position			Vertical or horizontal
Electromagnetic compatibility (EMC)			
Overvoltage category/pollution degree			II/2
Electrostatic discharge (ESD)			
applied standard			IEC EN 61000-4-2, Level 3
Air discharge		kV	8
Contact discharge		kV	6
Burst		kV	according to IEC/EN 61000-4-4 Supply cables: 2 Signal cables: 2
power pulses (Surge)			2 kV (supply cables, symmetrical, EASY...AC) 0.5 kV (supply cables, symmetrical, easy-DC) according to IEC/EN 61000-4-5
Immunity to line-conducted interference to (IEC/EN 61000-4-6)		V	10

Insulation resistance

Insulation resistance			EN 50178
-----------------------	--	--	----------

Power supply


Rated operational voltage	U_e	V	24 DC (-15/+20%)
Permissible range	U_e		20.4 - 28.8 V DC
Residual ripple		%	≤ 5
Input current			140 mA at U_e
Voltage dips		ms	≤ 10
Heat dissipation			3.4 W
Heat dissipation			3.4 W

Digital inputs 24 V DC

Number			12
Status Display			LCD-Display
Potential isolation			from the outputs: yes
Rated operational voltage	U_e	V DC	24
Input voltage		V DC	< 5 (I1 - I12, R1 - R12) at signal "0"
Input current on 1 signal			
Input current at signal 1		mA	3.3 (R1 to R6 (R12))
Deceleration time		ms	20 (from "0" to "1", debounce ON) Normally 0.25 (R1 - R12) (from "0" to "1", debounce OFF) 20 (from "1" to "0", debounce ON)
Cable length		m	100 (unshielded)

Relay outputs

Number			6
Outputs in groups of			1
Parallel switching of outputs for increased output			Not permissible
Protection of an output relay			Miniature circuit-breaker B16 or fuse 8 A (slow)
Lifespan, mechanical	Operations	$\times 10^6$	10
Contacts			
Conventional thermal current (10 A UL)		A	8
Recommended for load: 12 V AC/DC		mA	> 500
Short-circuit-proof $\cos \varphi = 1$, characteristic B16 at 600 A		A	16
Short-circuit-proof $\cos \varphi = 0.5$ to 0.7, characteristic B16 at 900 A		A	16
Rated impulse withstand voltage U_{imp} of contact coil		kV	6
Rated operational voltage	U_e	V AC	250
Rated insulation voltage	U_i	V AC	250
Safe isolation according to EN 50178		V AC	300 between coil and contact 300 between two contacts
Breaking capacity			
AC-15, 250 V AC, 3 A (600 Ops./h)	Operations		300000

DC-13, L/R  150 ms, 24 V DC, 1 A (500 S/h)	Operations		20000
Filament bulb load			
1000 W at 230/240 V AC	Operations		25000
500 W at 115/120 V AC	Operations		25000
Fluorescent lamp load			
Fluorescent lamp load 10 x 58 W at 230/240 V AC			
With upstream electrical device	Operations		25000
Uncompensated	Operations		25000
Fluorescent lamp load 1 x 58 W at 230/240 V AC, conventional, compensated	Operations		25000
Switching frequency			
Mechanical operations		x 10 ⁶	10
Switching frequency		Hz	10
Resistive load/lamp load		Hz	2
Inductive load		Hz	0.5
UL/CSA			
Uninterrupted current at 240 V AC		A	10
Uninterrupted current at 24 V DC		A	8
AC			
Control Circuit Rating Codes (utilization category)			B 300 Light Pilot Duty
Max. rated operational voltage		V AC	300
max. thermal continuous current cos φ = 1 at B 300		A	5
max. make/break cos φ ≠ capacity 1 at B 300		VA	3600/360
DC			
Control Circuit Rating Codes (utilization category)			R 300 Light Pilot Duty
Max. rated operational voltage		V DC	300
Max. thermal uninterrupted current at R 300		A	1
Max. make/break capacity at R 300		VA	28/28

Technical data ETIM 5.0

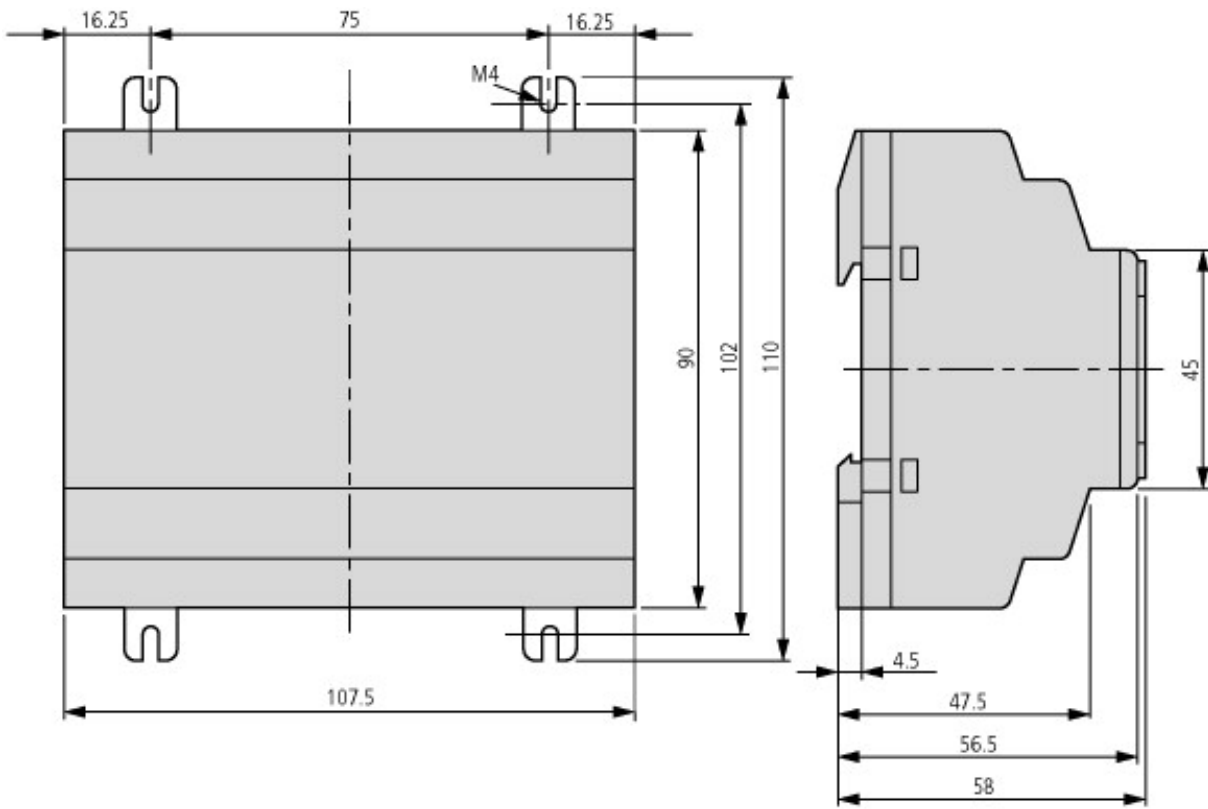
PLC's (EG000024) / Logic module (EC001417)

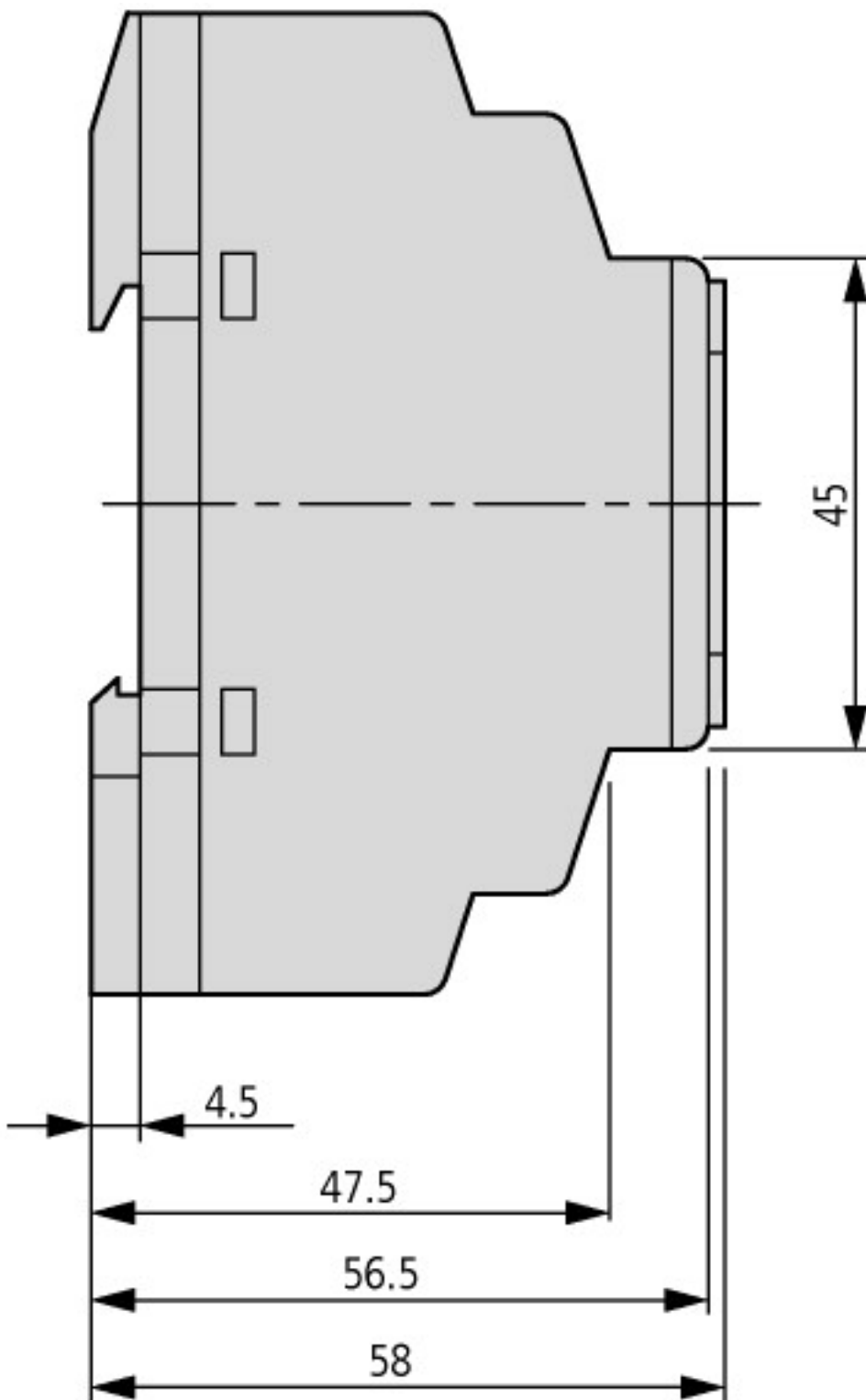
Electric engineering, automation, process control engineering / Control / Programmable logic control (SPS) / Logic module (ecl@ss8-27-24-22-16 [AKE539010])

Supply voltage AC 50 Hz	V	0 - 0
Supply voltage AC 60 Hz	V	0 - 0
Supply voltage DC	V	20.4 - 28.8
Voltage type of supply voltage		DC
Switching current	A	8
Number of analogue inputs		0
Number of analogue outputs		0
Number of digital inputs		12
Number of digital outputs		6
With relay output		Yes
Number of HW-interfaces industrial Ethernet		0
Number of HW-interfaces PROFINET		0
Number of HW-interfaces RS-232		0
Number of HW-interfaces RS-422		0
Number of HW-interfaces RS-485		0
Number of HW-interfaces serial TTY		0
Number of HW-interfaces USB		0
Number of HW-interfaces parallel		0
Number of HW-interfaces Wireless		0
Number of HW-interfaces other		1
With optical interface		No
Supporting protocol for TCP/IP		No

Supporting protocol for PROFIBUS			No
Supporting protocol for CAN			No
Supporting protocol for INTERBUS			No
Supporting protocol for ASI			No
Supporting protocol for KNX			No
Supporting protocol for MODBUS			No
Supporting protocol for Data-Highway			No
Supporting protocol for DeviceNet			No
Supporting protocol for SUCONET			No
Supporting protocol for LON			No
Supporting protocol for PROFINET IO			No
Supporting protocol for PROFINET CBA			No
Supporting protocol for SERCOS			No
Supporting protocol for Foundation Fieldbus			No
Supporting protocol for EtherNet/IP			No
Supporting protocol for AS-Interface Safety at Work			No
Supporting protocol for DeviceNet Safety			No
Supporting protocol for INTERBUS- Safety			No
Supporting protocol for PROFIsafe			No
Supporting protocol for SafetyBUS p			No
Supporting protocol for other bus systems			No
Radiostandard Bluetooth			No
Radiostandard WLAN 802.11			No
Radiostandard GPRS			No
Radiostandard GSM			No
Radiostandard UMTS			No
IO link master			No
Redundancy			No
With display			No
Degree of protection (IP)			IP20
Basic device			No
Expandable			No
Expansion device			Yes
With timer			No
Rail mounting possible			Yes
Wall mounting/direct mounting			Yes
Front build in possible			No
Rack-assembly possible			No
Suited for safety functions			No
Category according to EN 954-1			-
SIL according to IEC 61508			0
Performance level acc. to EN ISO 13849-1			-
Appendant operation agent (Ex ia)			No
Appendant operation agent (Ex ib)			No
Explosion safety category for gas			None
Explosion safety category for dust			None
Width		mm	108
Height		mm	90
Depth		mm	60

Dimensions





Additional product information (links)

IL05003003Z (AWA2724-2334) easyControl: Compact controller

IL05003003Z (AWA2724-2334) easyControl: Compact controller ftp://ftp.moeller.net/DOCUMENTATION/AWA_INSTRUCTIONS/IL05003003Z2010_11.pdf

IL05013006Z (AWA2528-1837) Control relay easy

IL05013006Z (AWA2528-1837) Control relay easy ftp://ftp.moeller.net/DOCUMENTATION/AWA_INSTRUCTIONS/IL05013006Z2010_11.pdf

IL05013012Z (AWA2528-1979) Control relay easy

IL05013012Z (AWA2528-1979) Control relay easy ftp://ftp.moeller.net/DOCUMENTATION/AWA_INSTRUCTIONS/IL05013012Z2010_11.pdf

IL05013014Z (AWA2528-2019) Multi function display, Control relay easy

IL05013014Z (AWA2528-2019) Multi function display, Control relay easy ftp://ftp.moeller.net/DOCUMENTATION/AWA_INSTRUCTIONS/IL05013014Z2010_11.pdf

MN04902001Z-EN (AWB2528-1423) easy800 Control Relay

MN04902001Z-DE (AWB2528-1423) Steuerrelais easy800 - Deutsch	ftp://ftp.moeller.net/DOCUMENTATION/AWB_MANUALS/MN04902001Z_DE.pdf
MN04902001Z-EN (AWB2528-1423) easy800 Control Relay - English	ftp://ftp.moeller.net/DOCUMENTATION/AWB_MANUALS/MN04902001Z_EN.pdf
AWB2528-1423 Modules logiques easy800 - français	ftp://ftp.moeller.net/DOCUMENTATION/AWB_MANUALS/h1423f.pdf
AWB2528-1423 Módulo de control easy800 - español	ftp://ftp.moeller.net/DOCUMENTATION/AWB_MANUALS/h1423e.pdf
AWB2528-1423 Relè di comando e controllo - italiano	ftp://ftp.moeller.net/DOCUMENTATION/AWB_MANUALS/h1423i.pdf