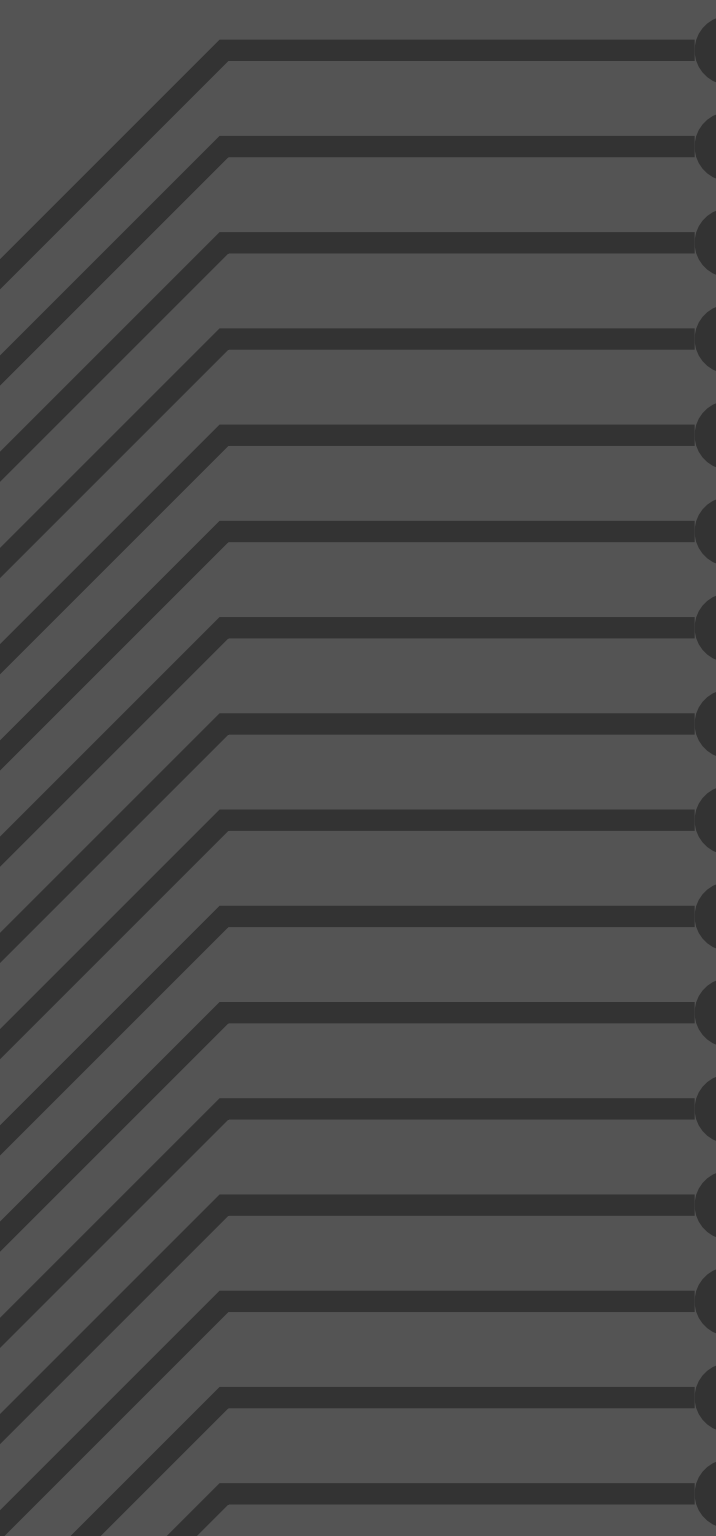


USER MANUAL

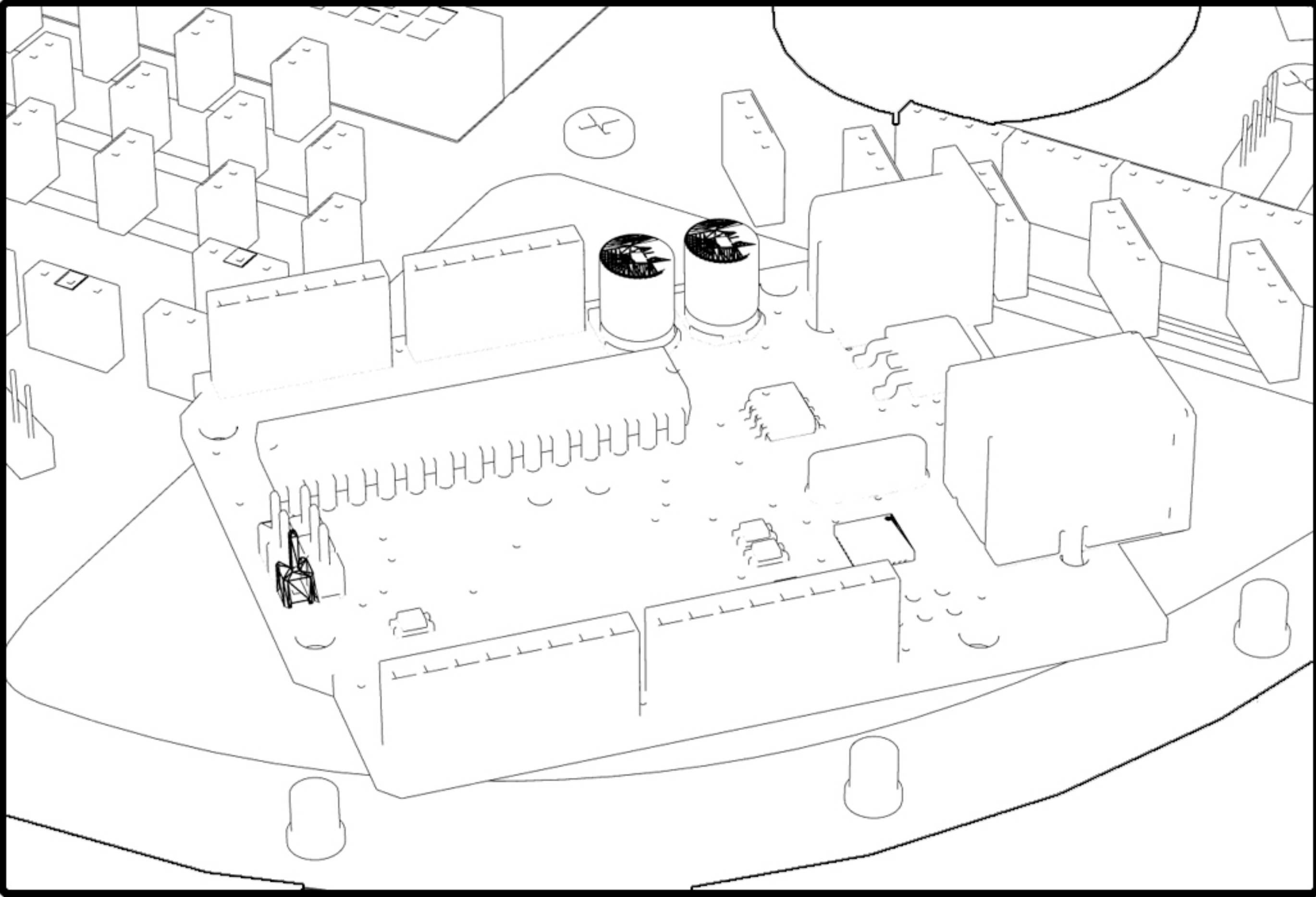
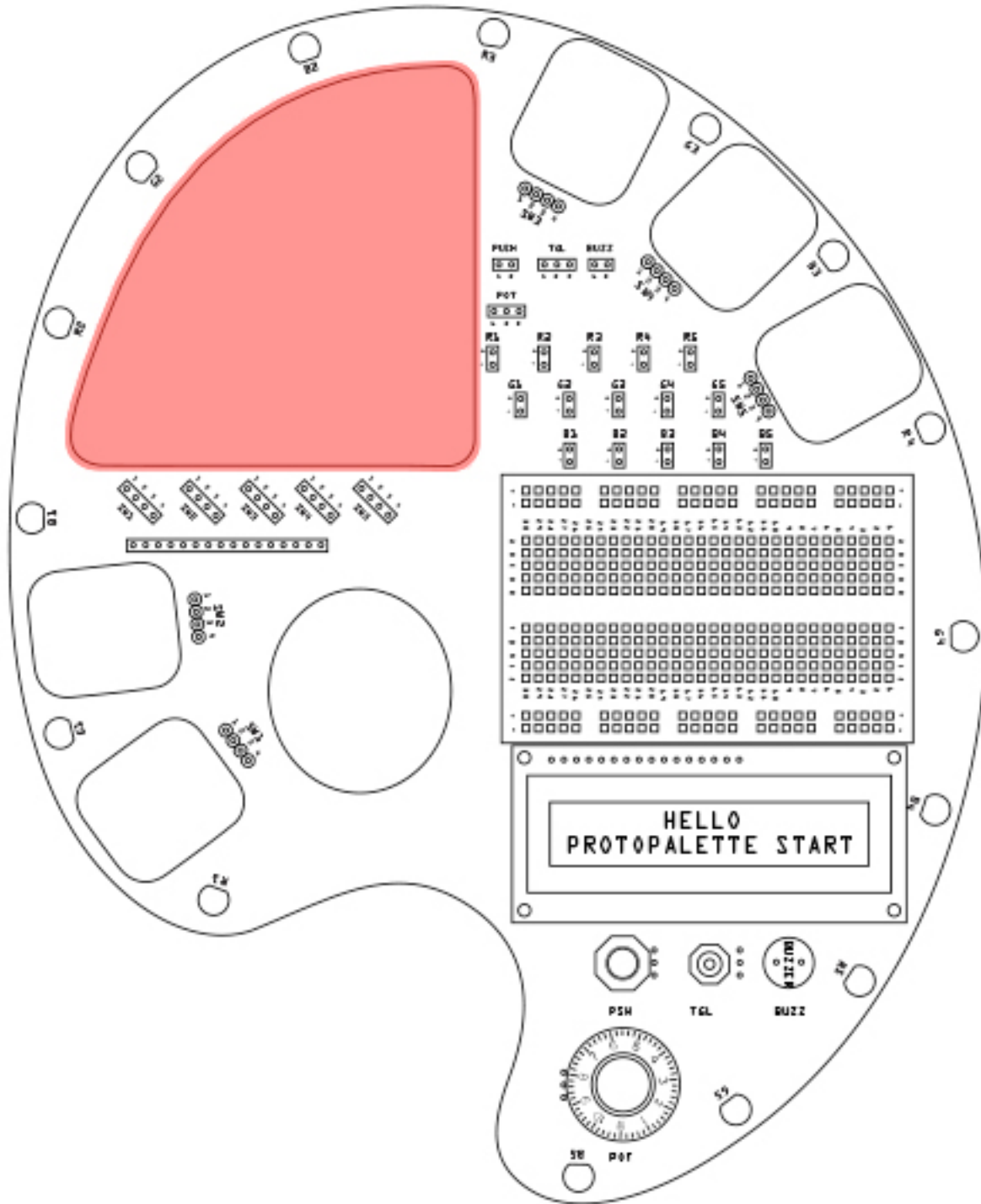


● p1	The Stage
● p2	LCD Display
● p3	Breadboard
● p4	TGL
● p5	PSH
● p6	POT
● p7	Buzzer
● p8	Red LEDs
● p9	Green LEDs
● p10	Blue LEDs
● p11	Swatch 1
● p12	Swatch 2
● p13	Swatch 3
● p14	Swatch 4
● p15	Swatch 5
● p16	Typical Module

CONTENTS

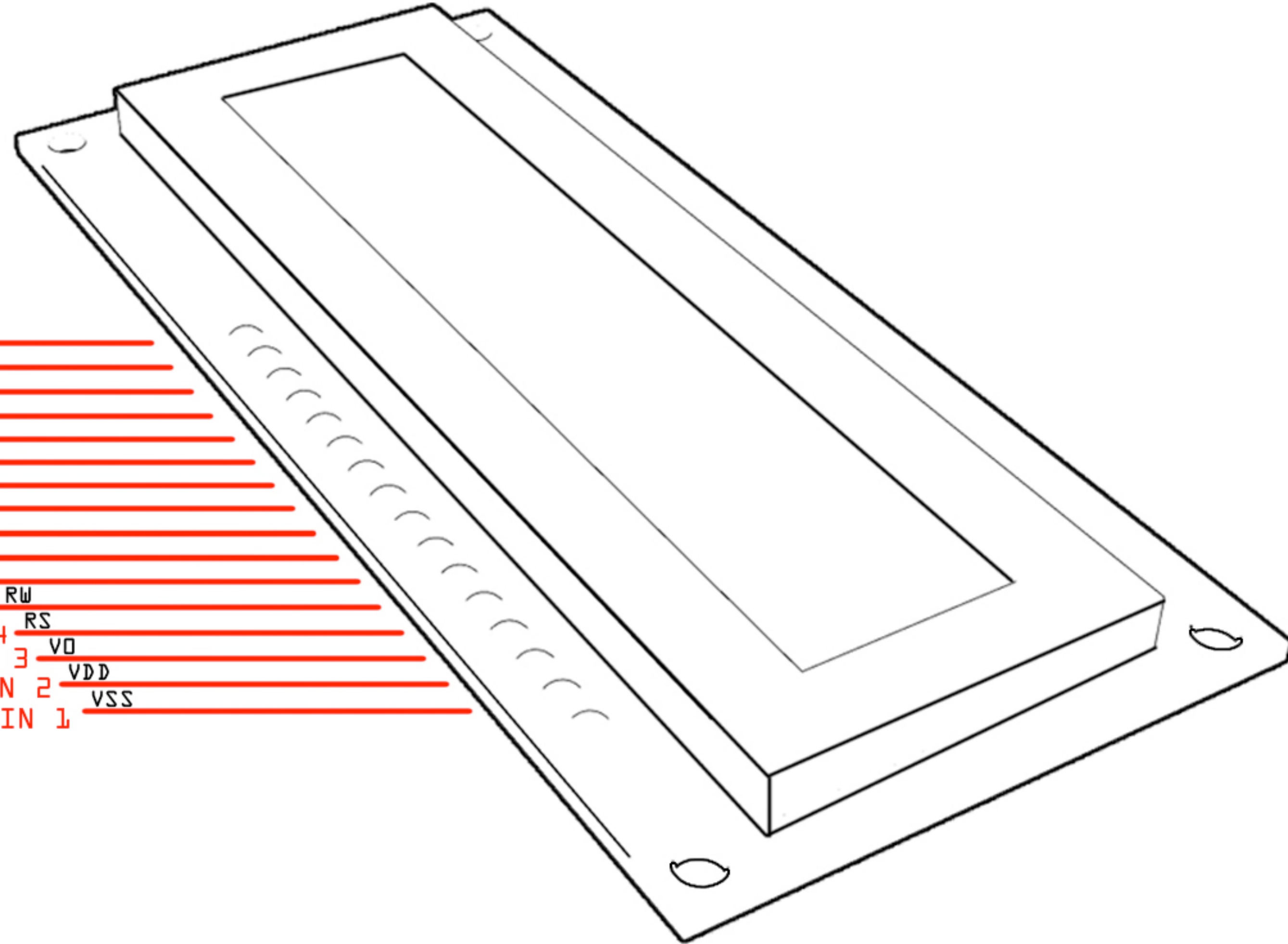
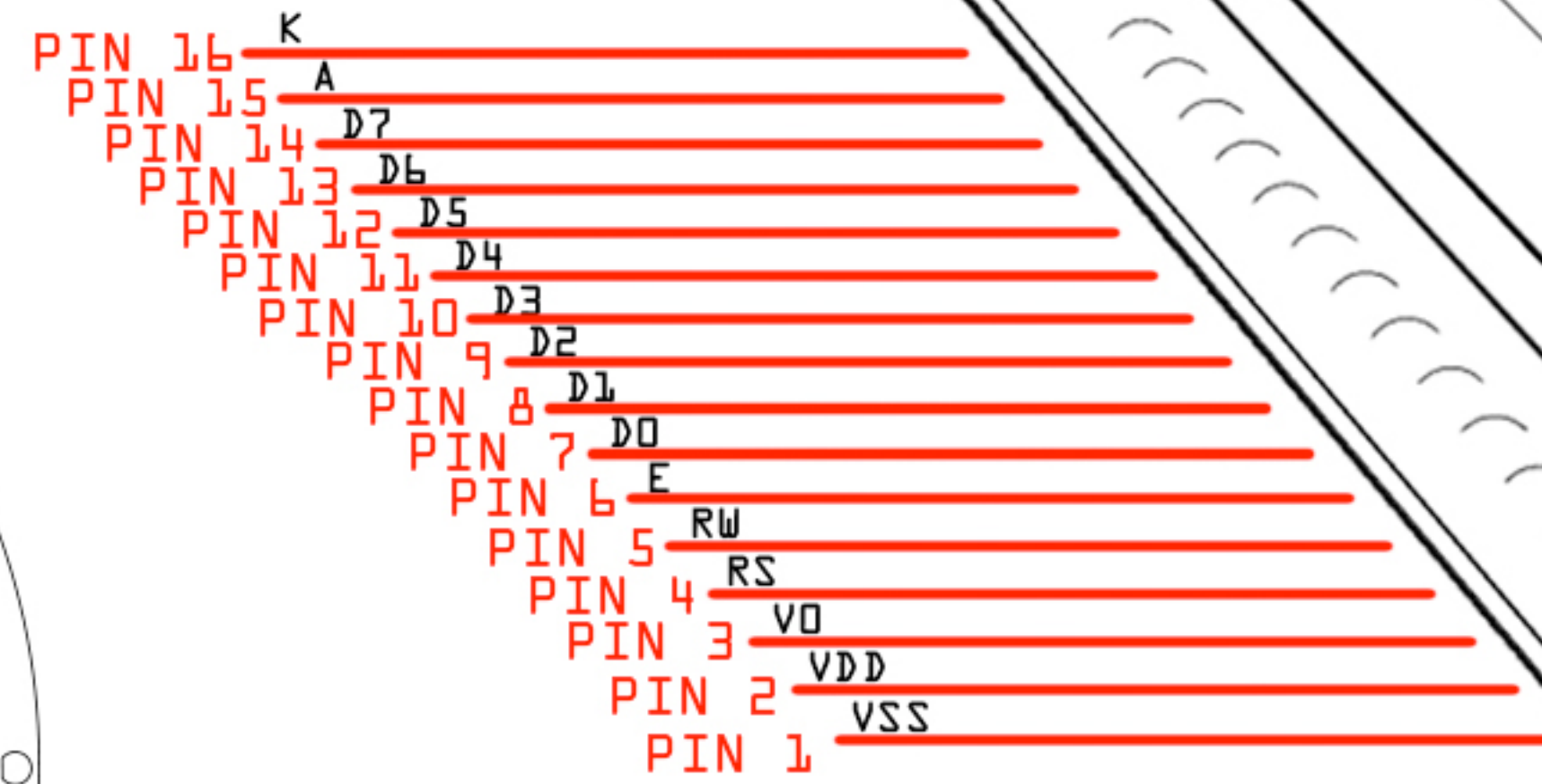
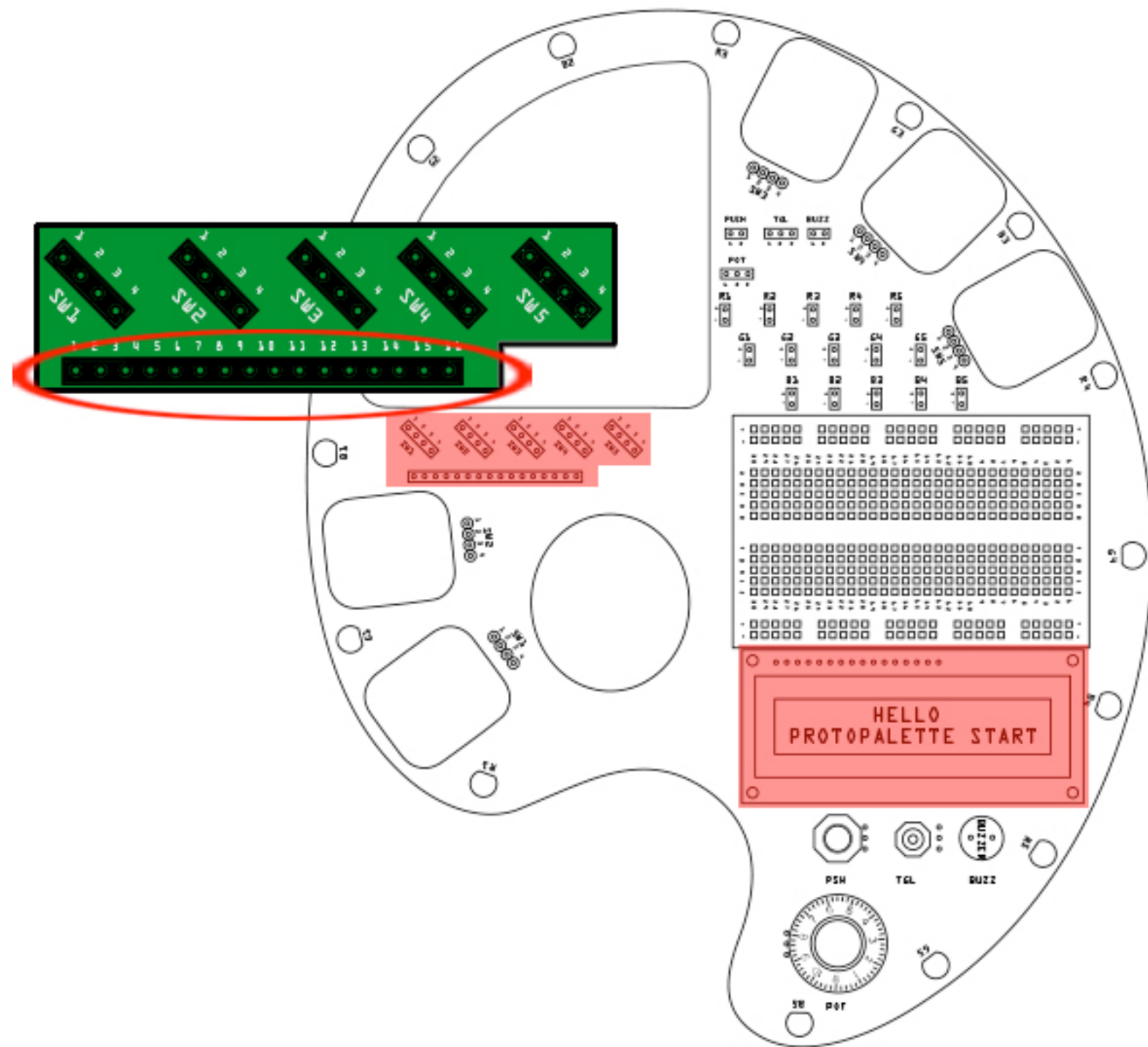
THE STAGE

A PLACE FOR YOUR ARDUINO



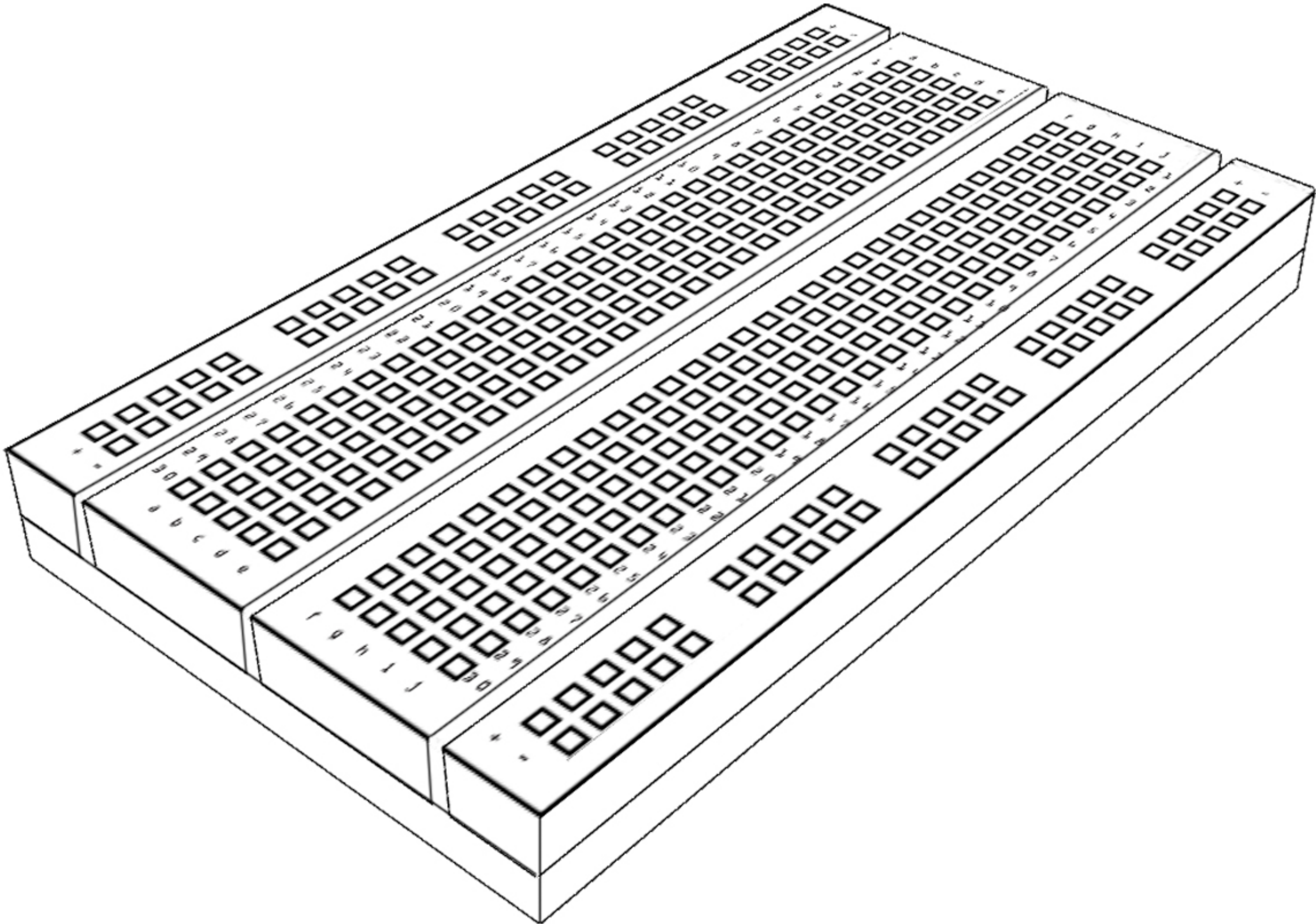
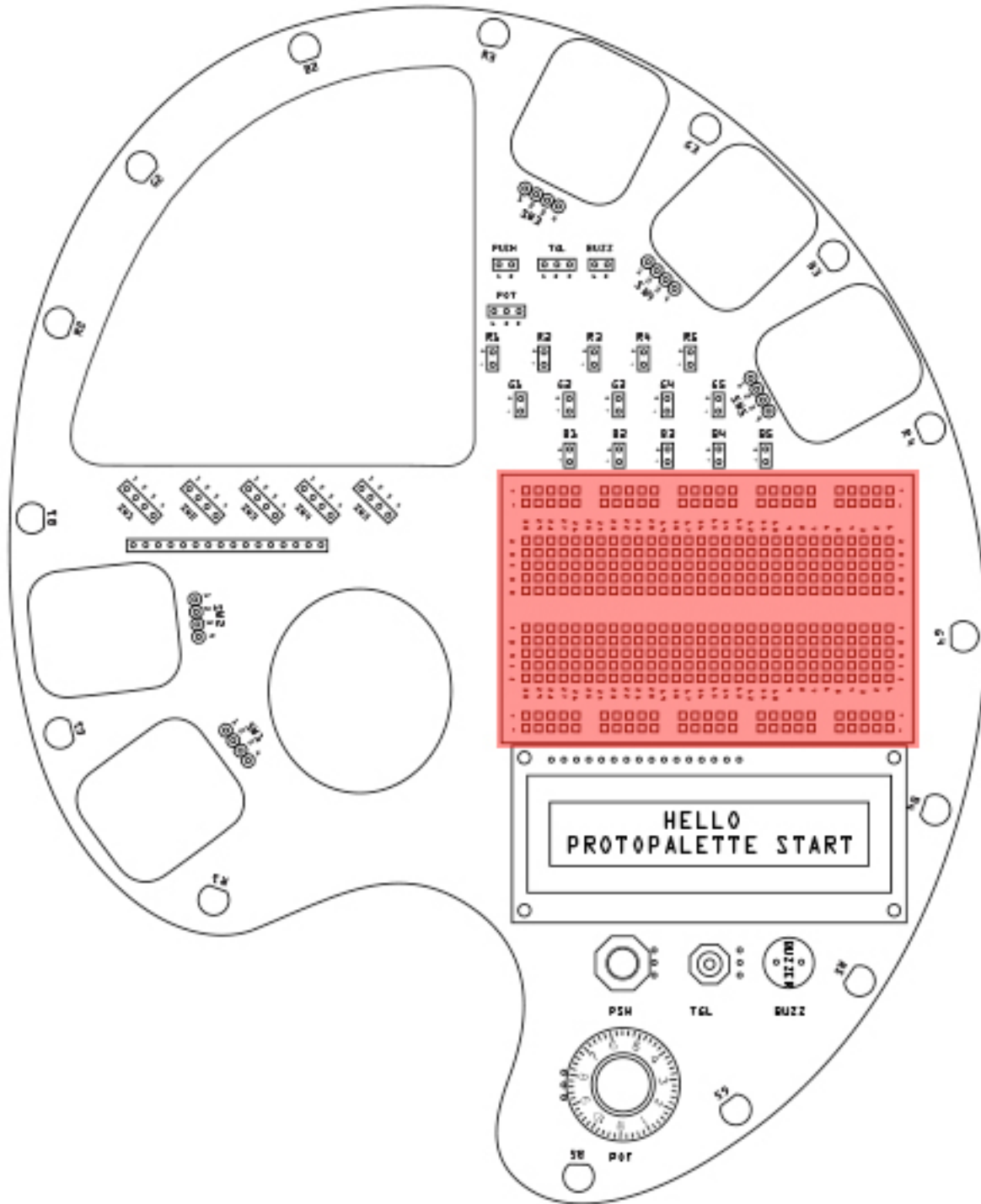
2 x 16 LCD DISPLAY

Programmable
Alphanumeric Display



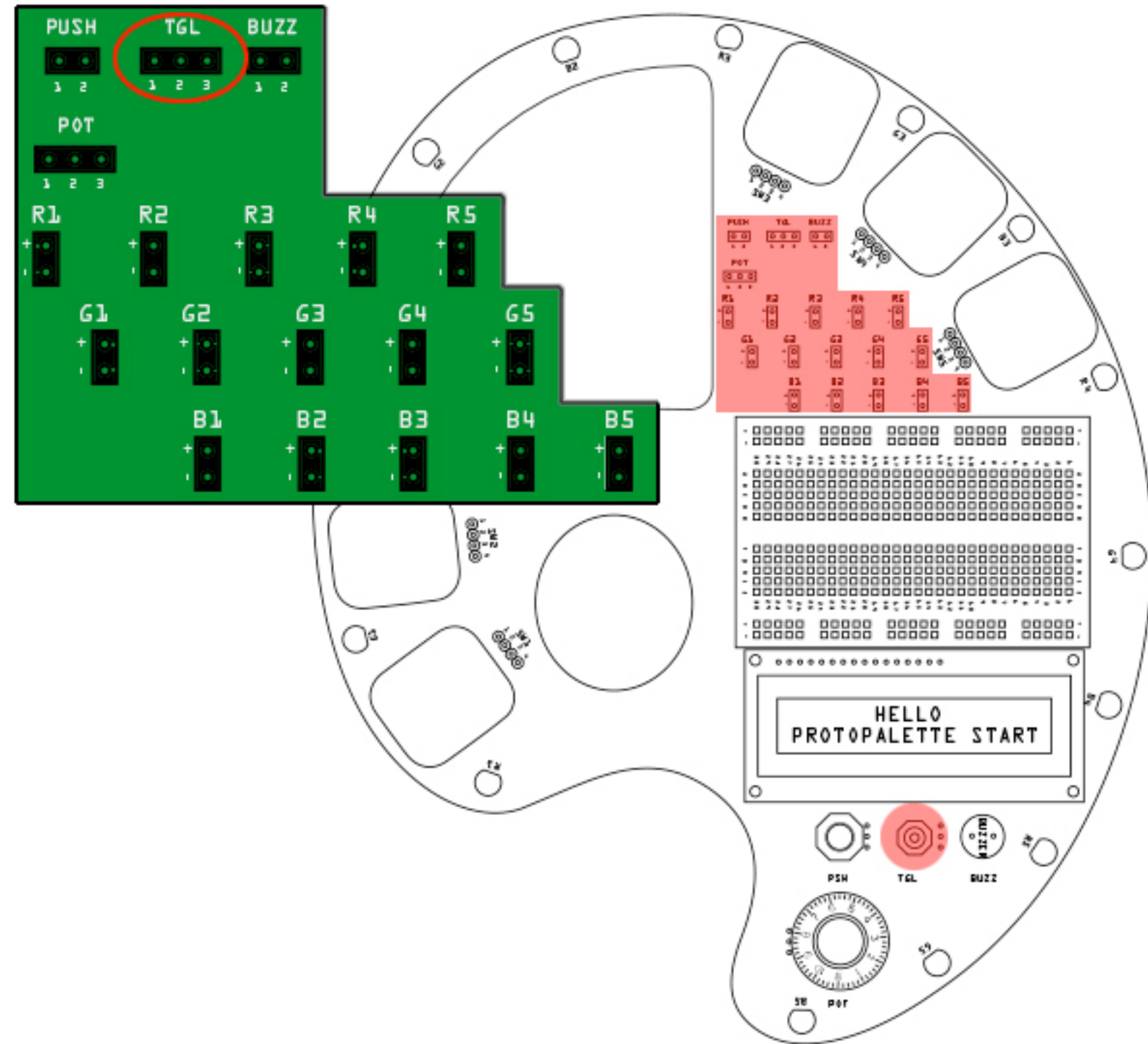
BREADBOARD

400 POSITION
PROTOTYPING BREADBOARD

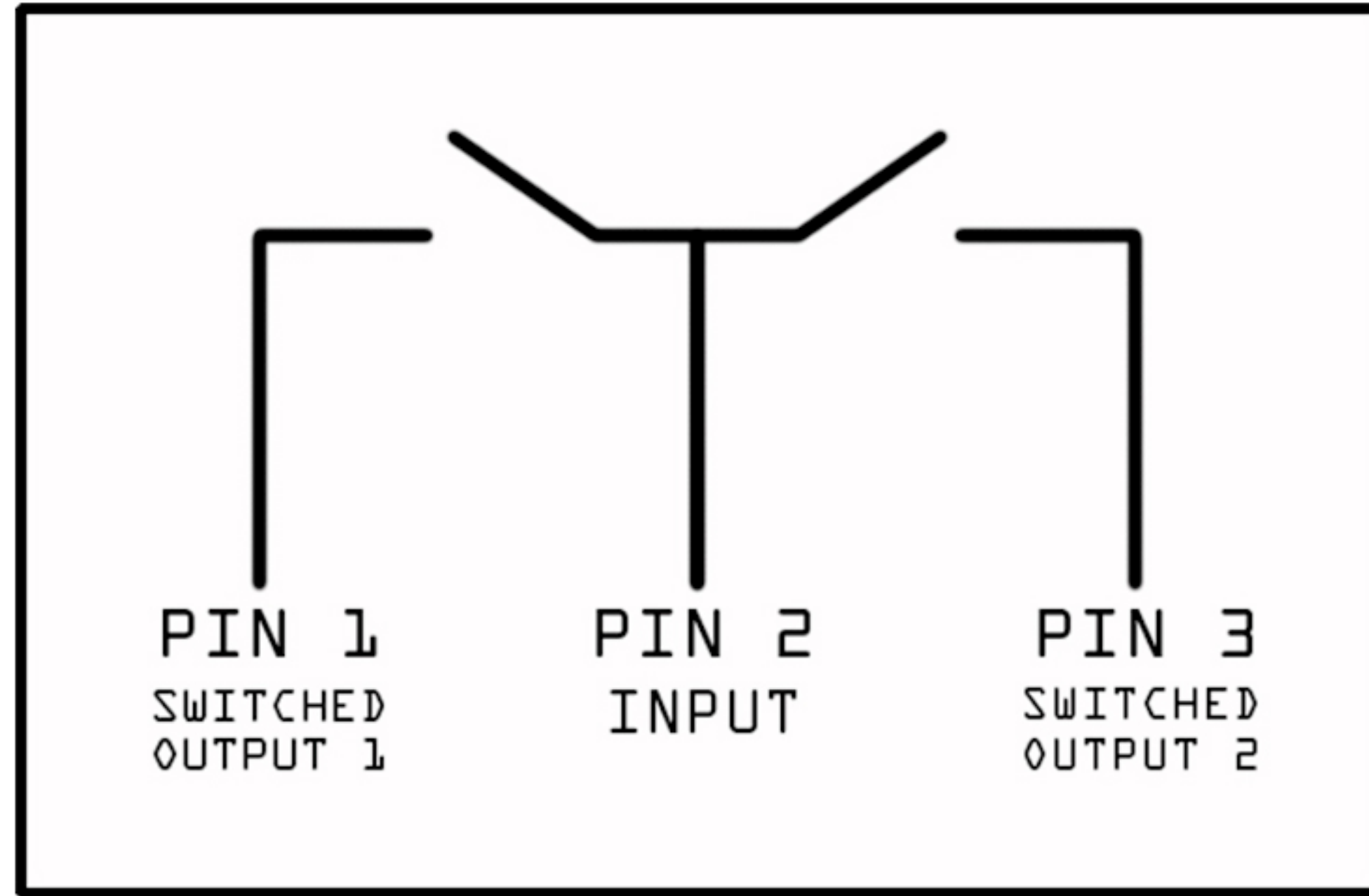


TGL

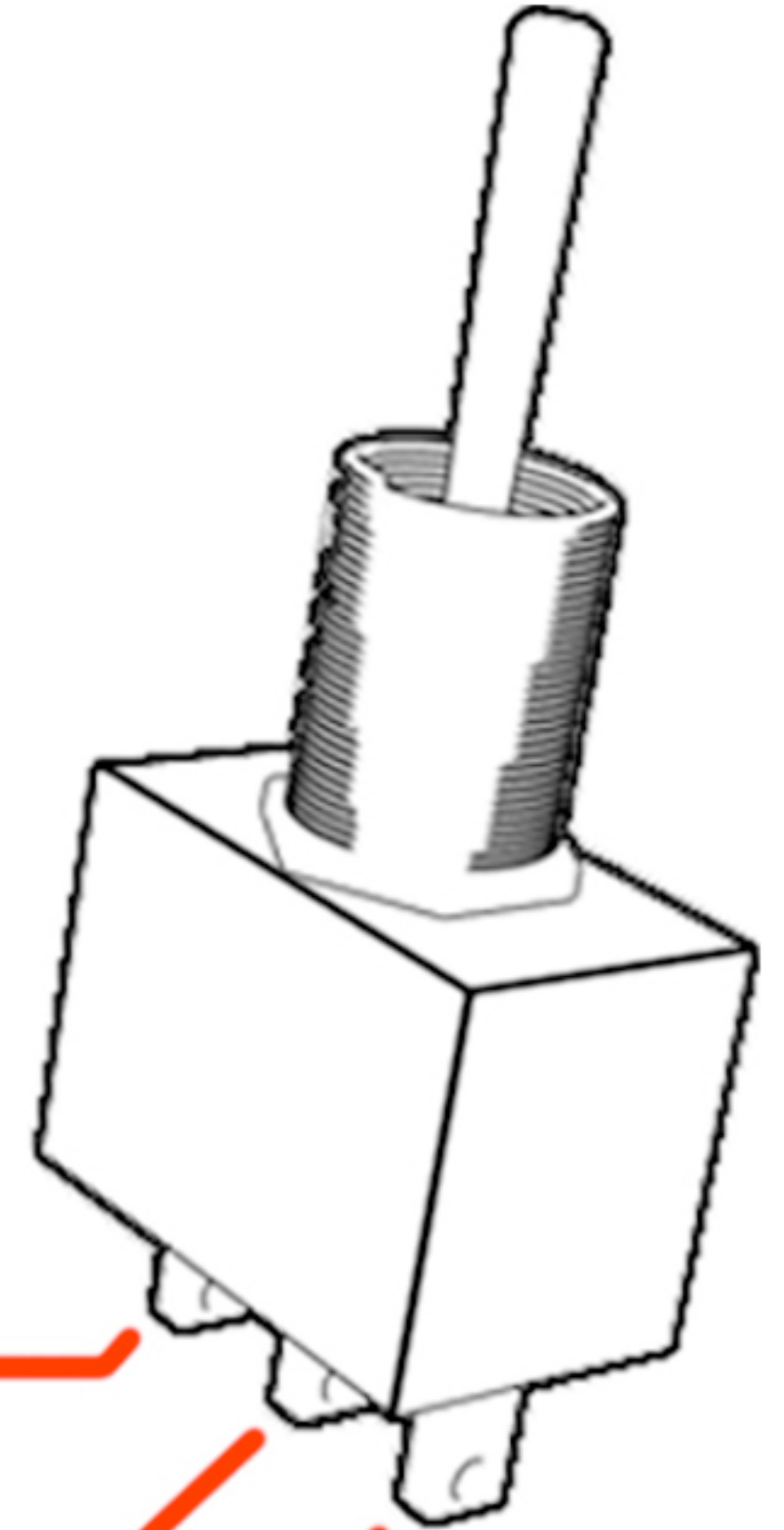
LATCHING
TOGGLE SWITCH



SCHEMATIC



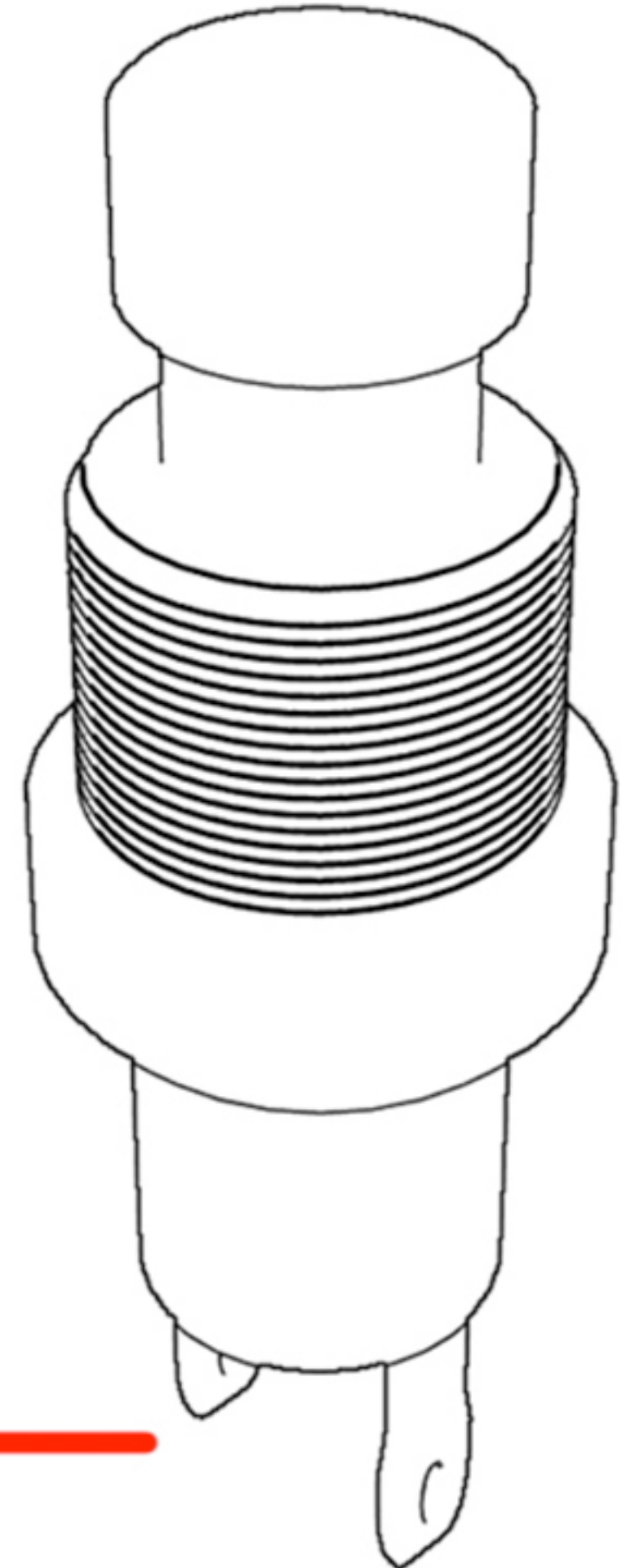
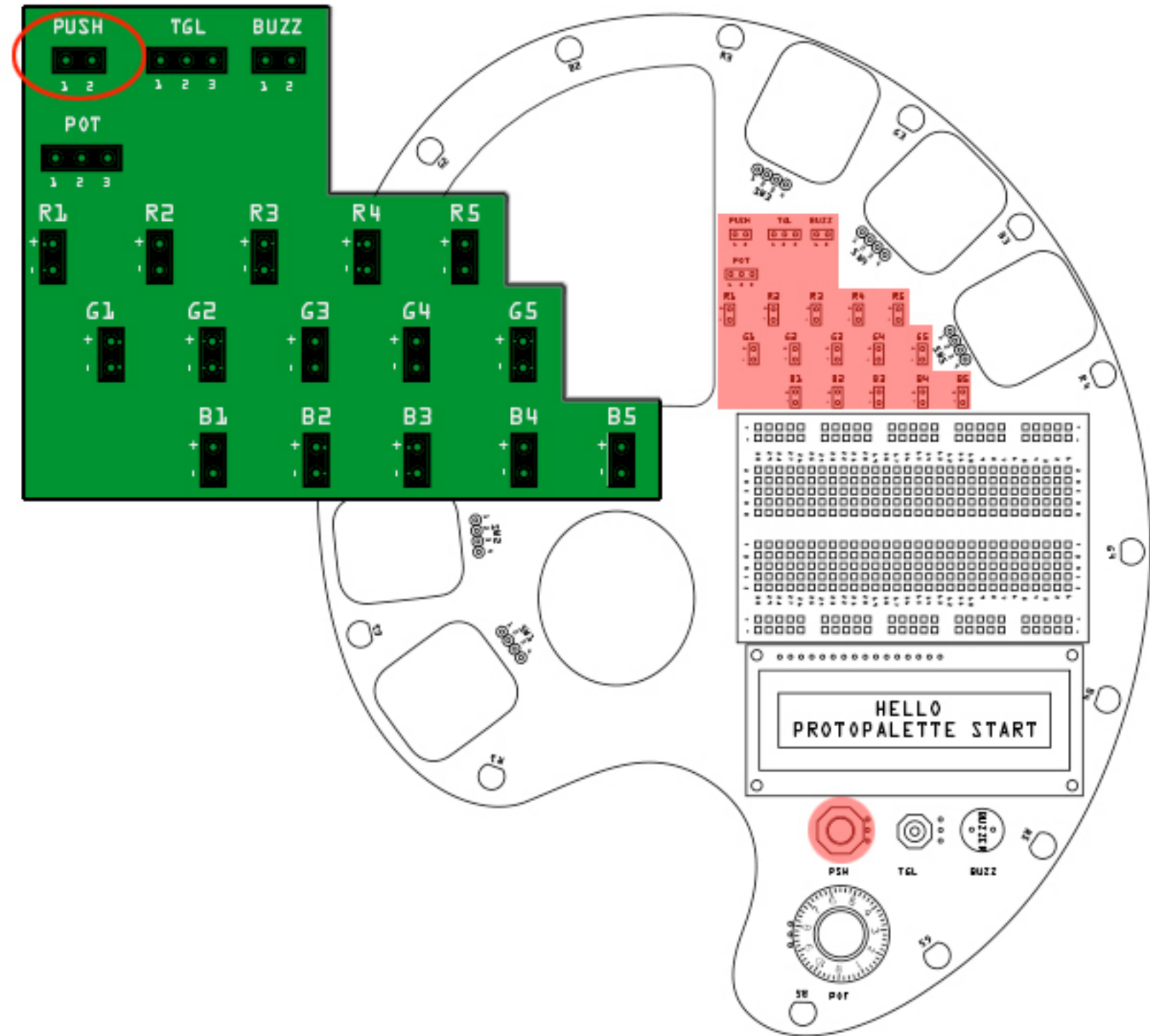
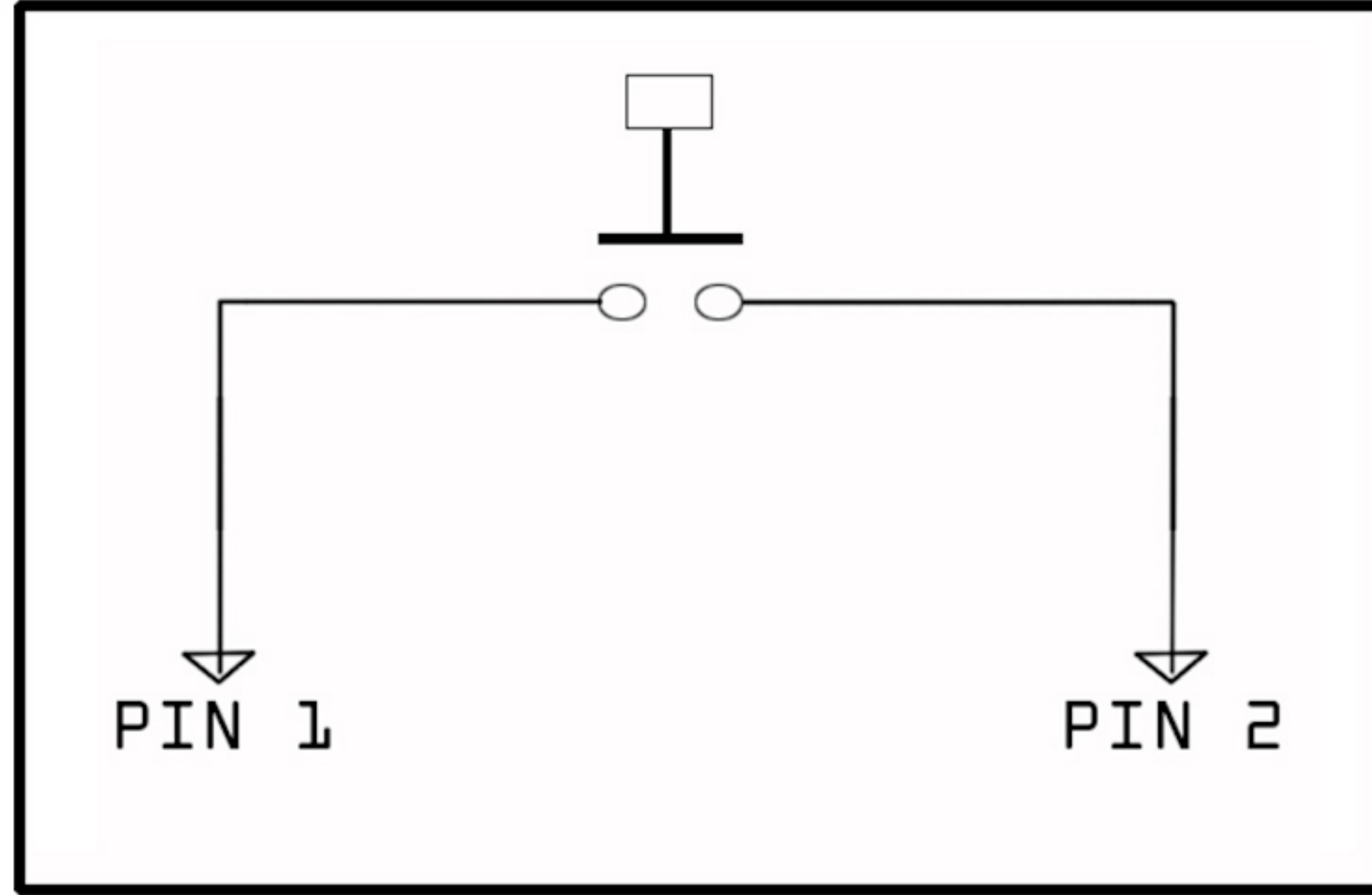
PIN 1 SWITCHED OUTPUT 1
PIN 2 INPUT
PIN 3 SWITCHED OUTPUT 2



PSH

Pushbutton Switch
(Off normal)

SCHEMATIC



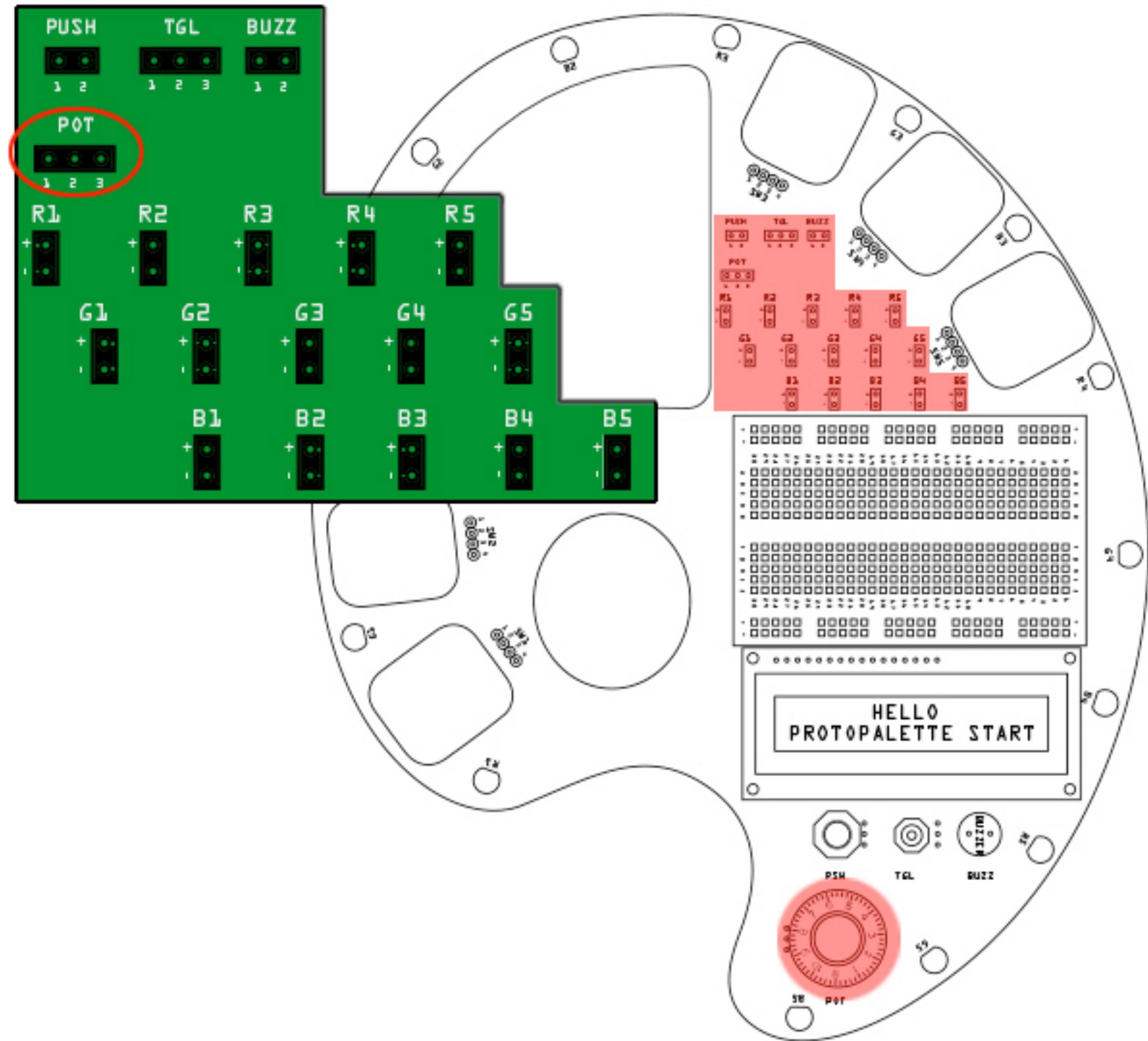
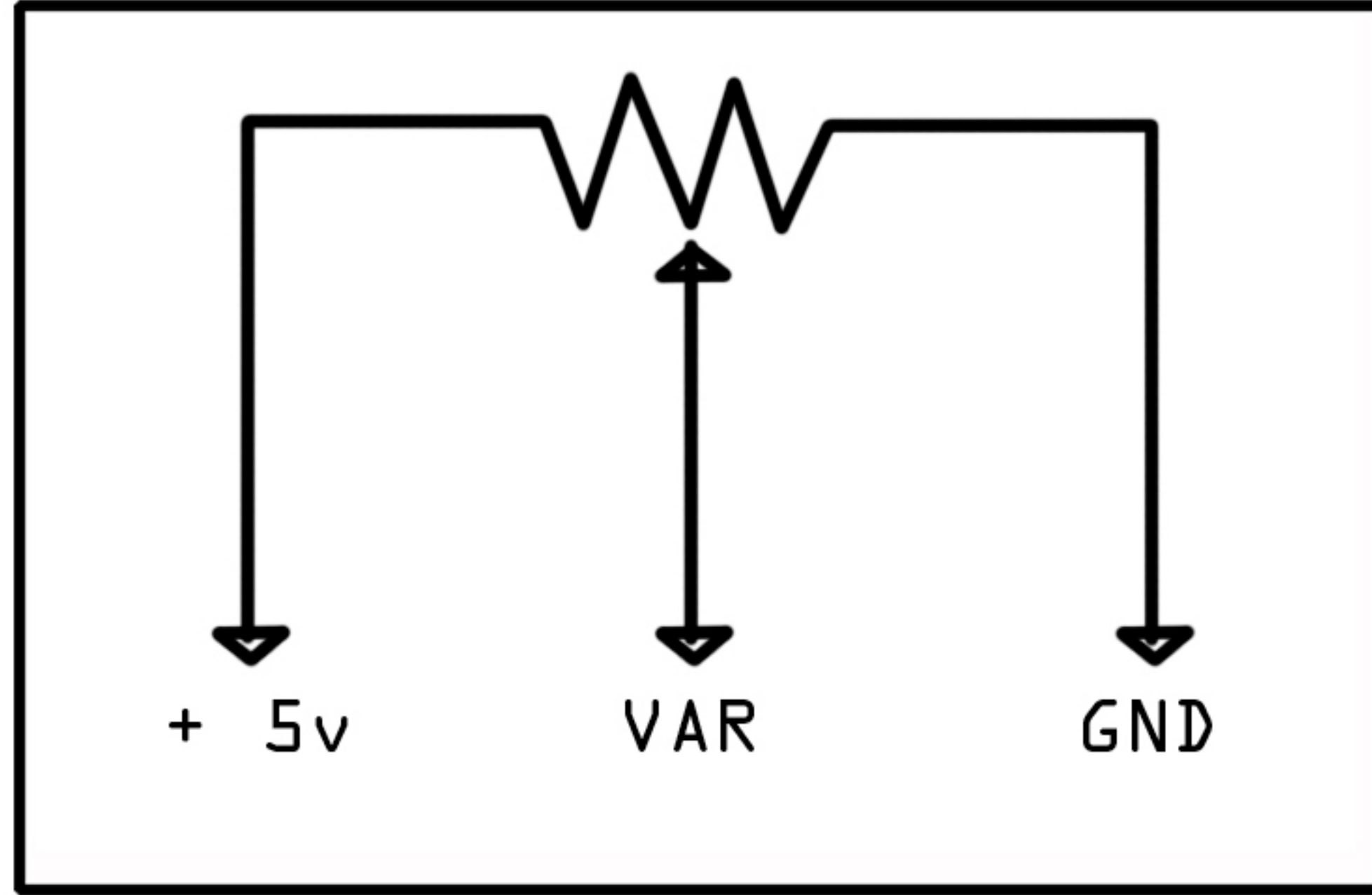
PIN 1

PIN 2

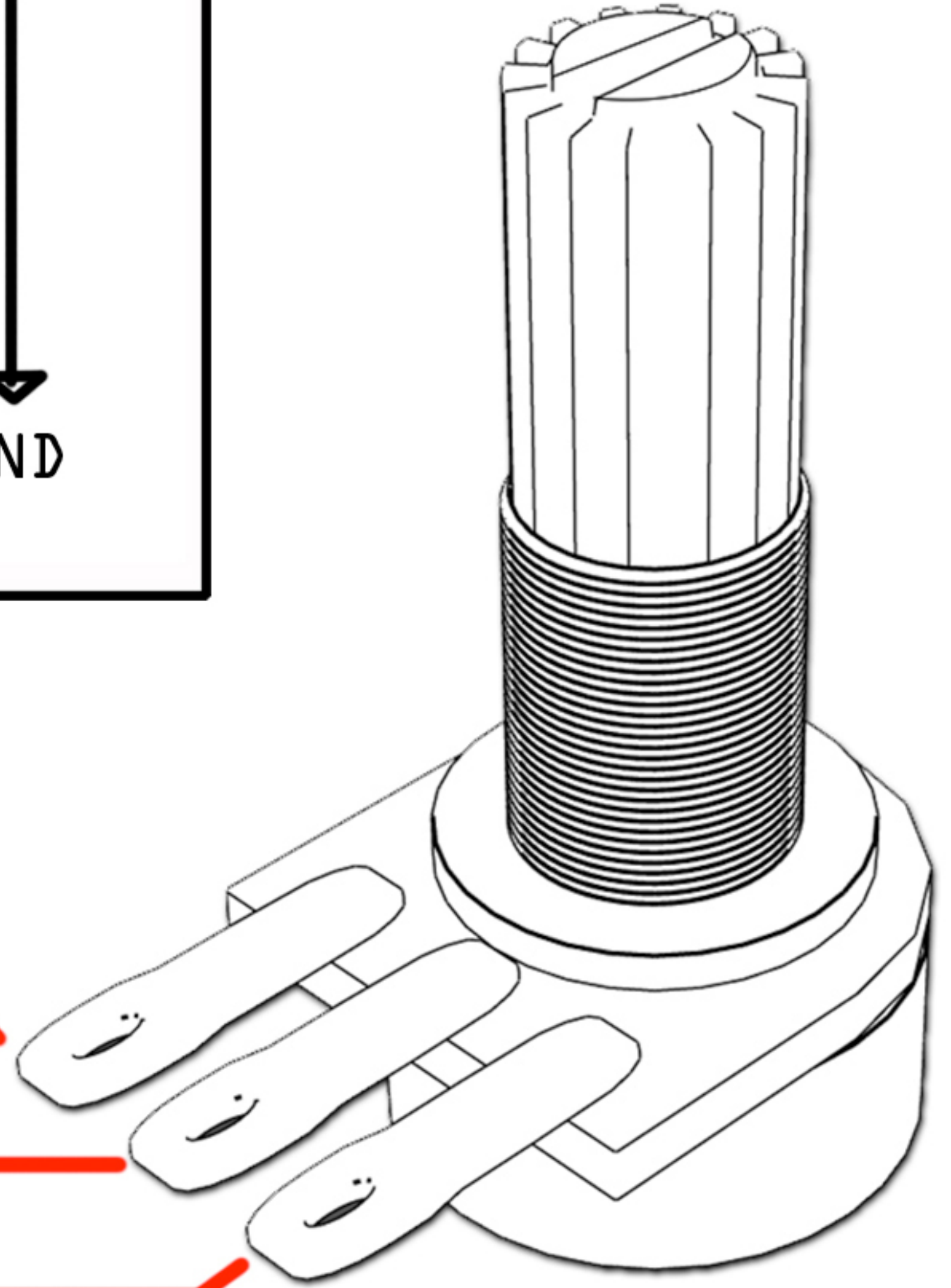
POT

ROTARY POTENTIOMETER
10K (LINEAR)

SCHEMATIC



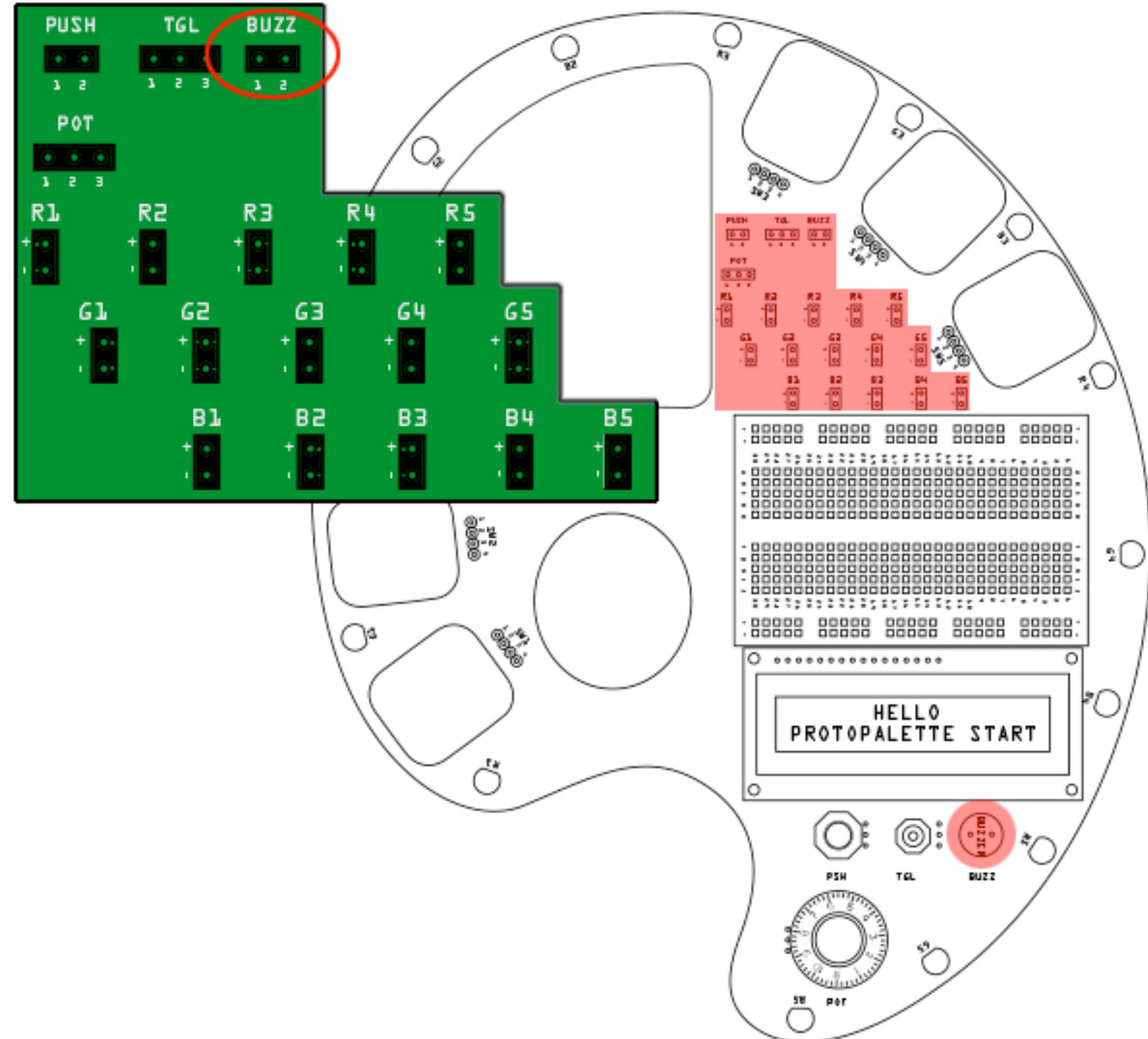
- PIN 1 +5V
- PIN 2 VARIABLE OUTPUT
- PIN 3 GROUND



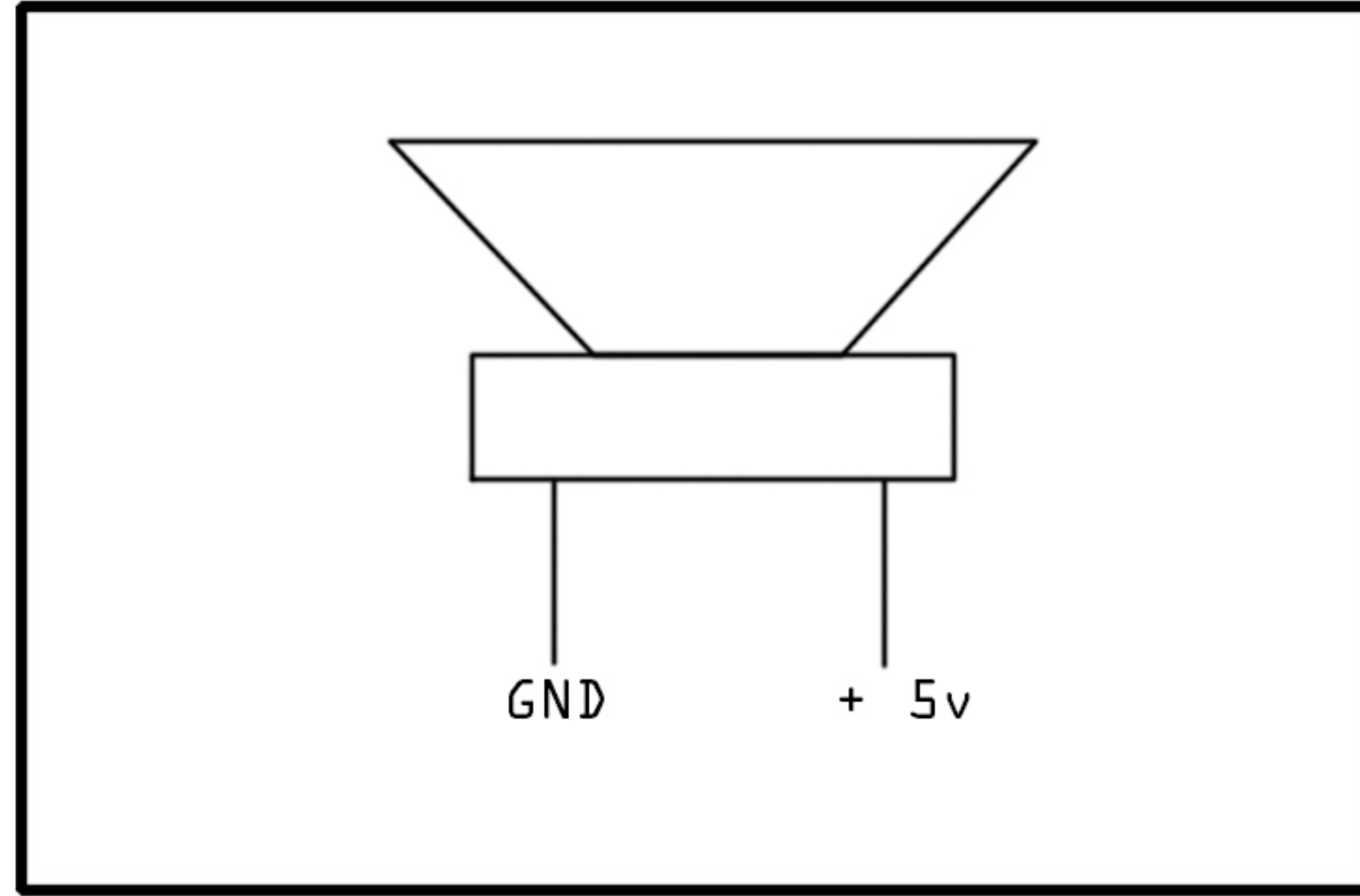
BUZZER

Piezoelectric

- Operating voltage: 5V
- Max current: 40mA
- Coil resistance: 47Ω

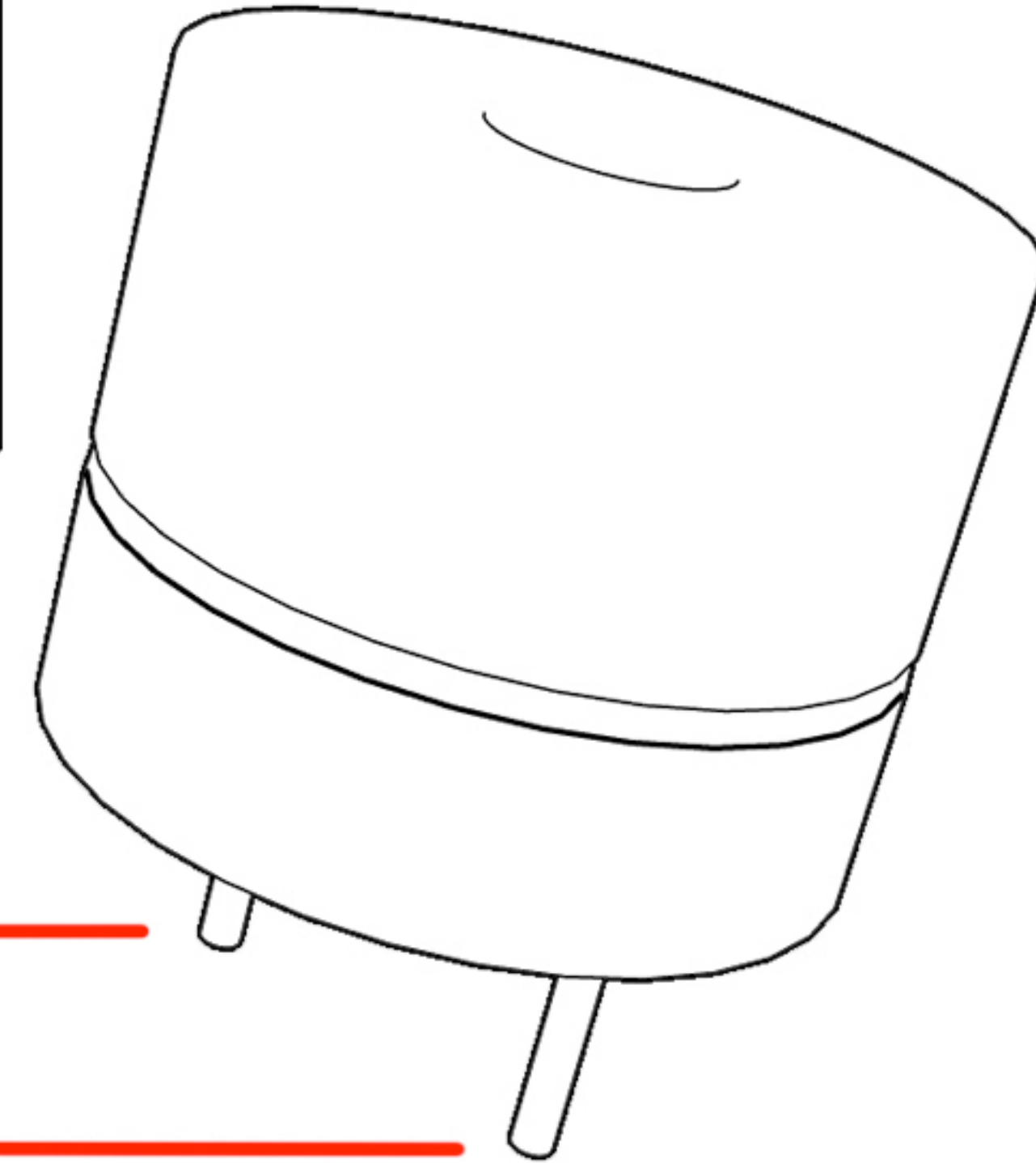


SCHEMATIC

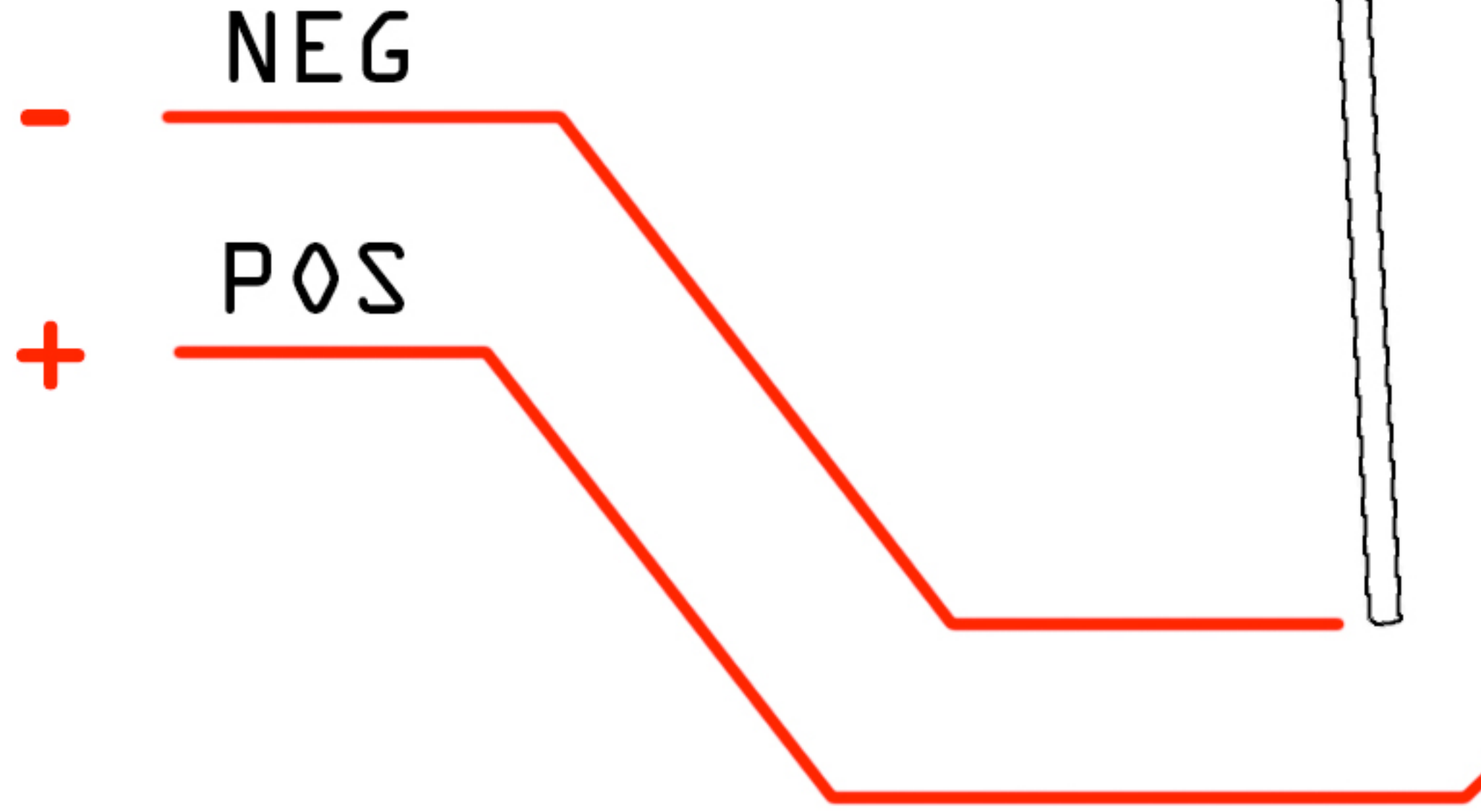
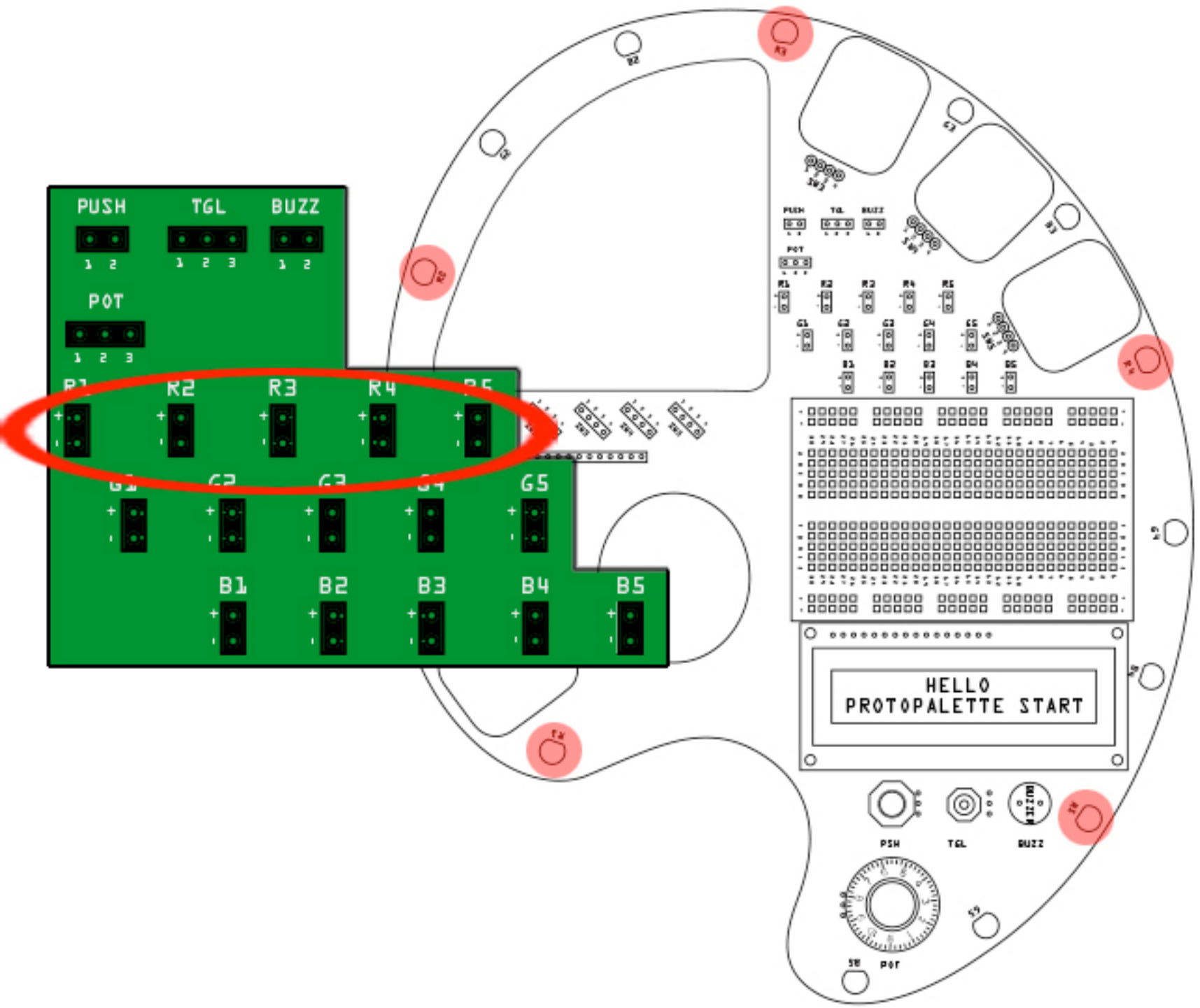
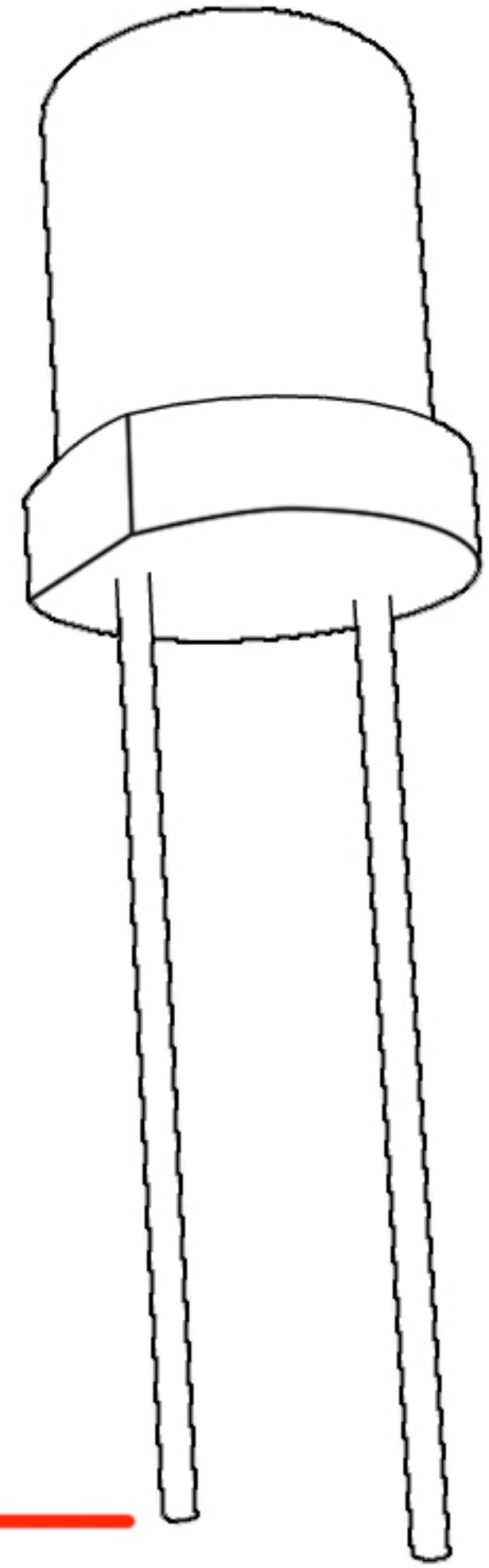
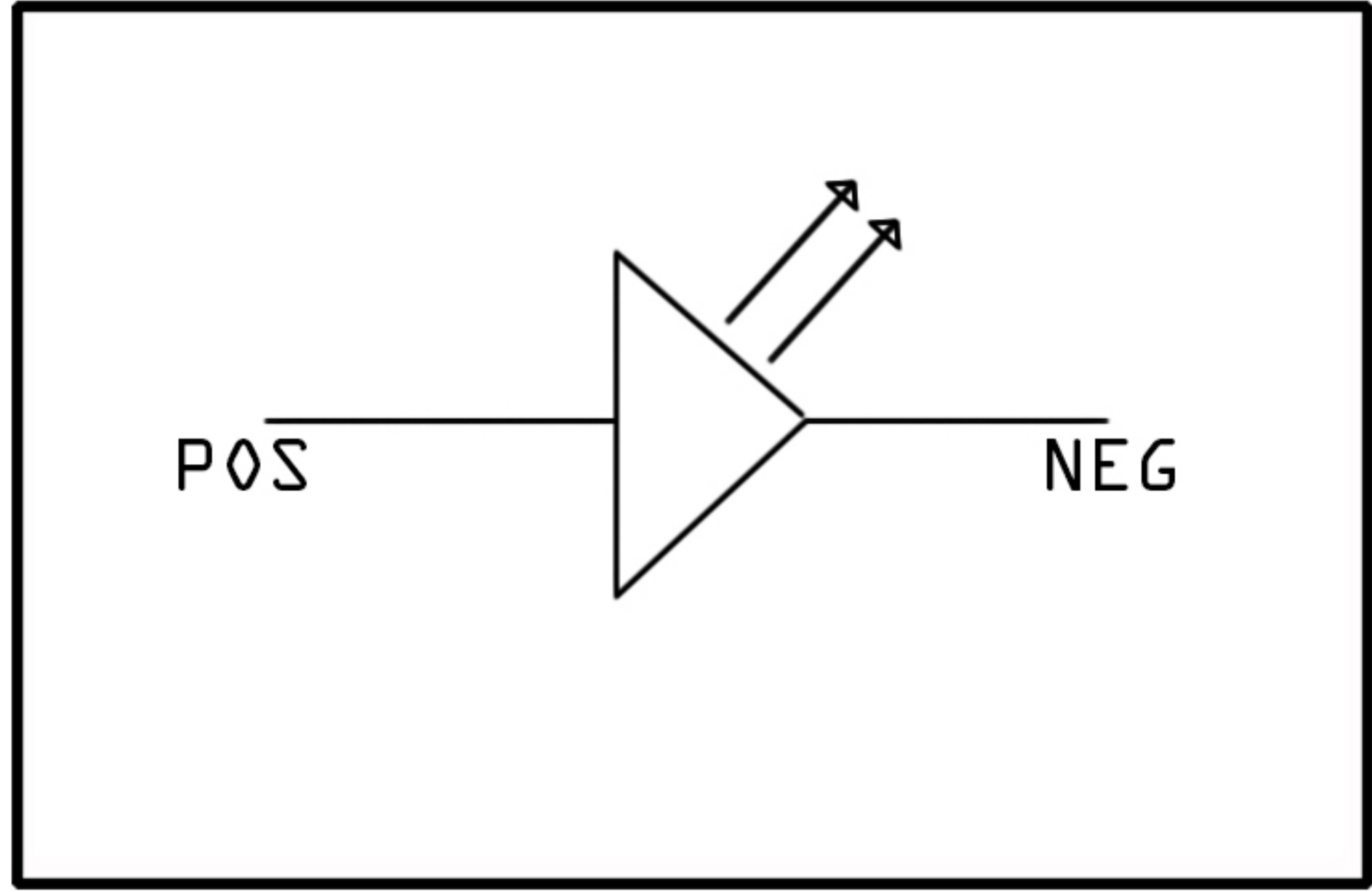


PIN 1 GROUND

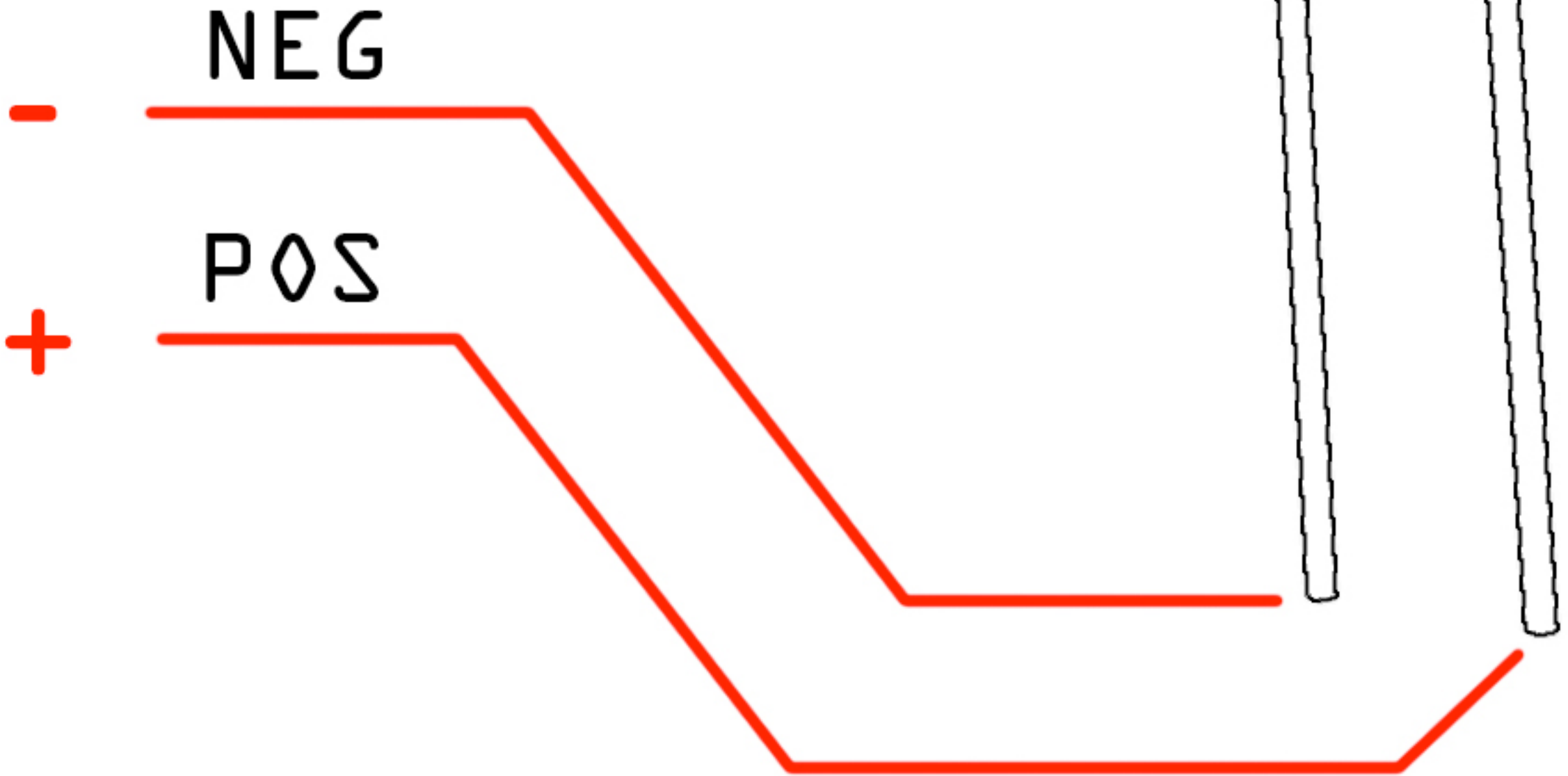
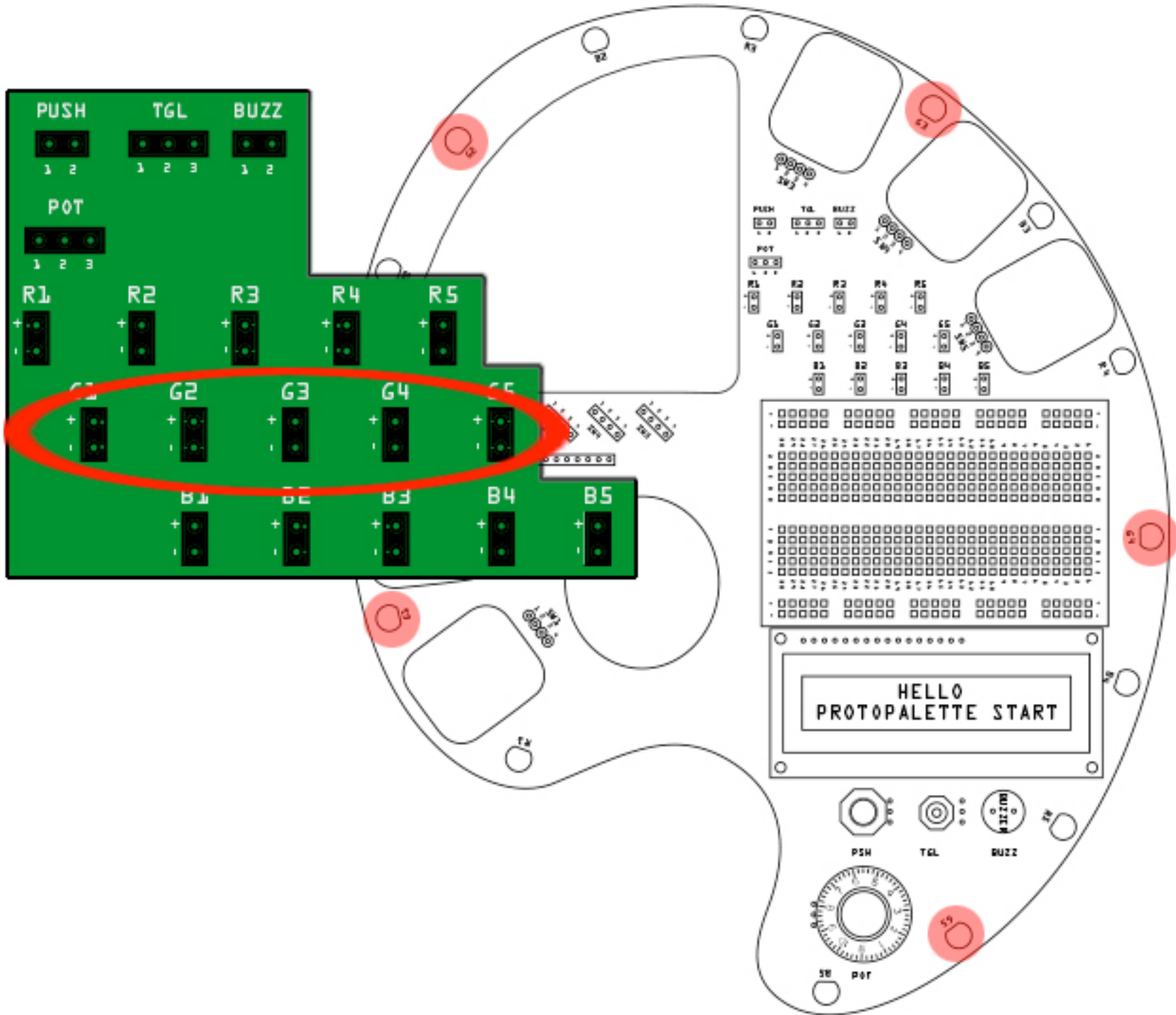
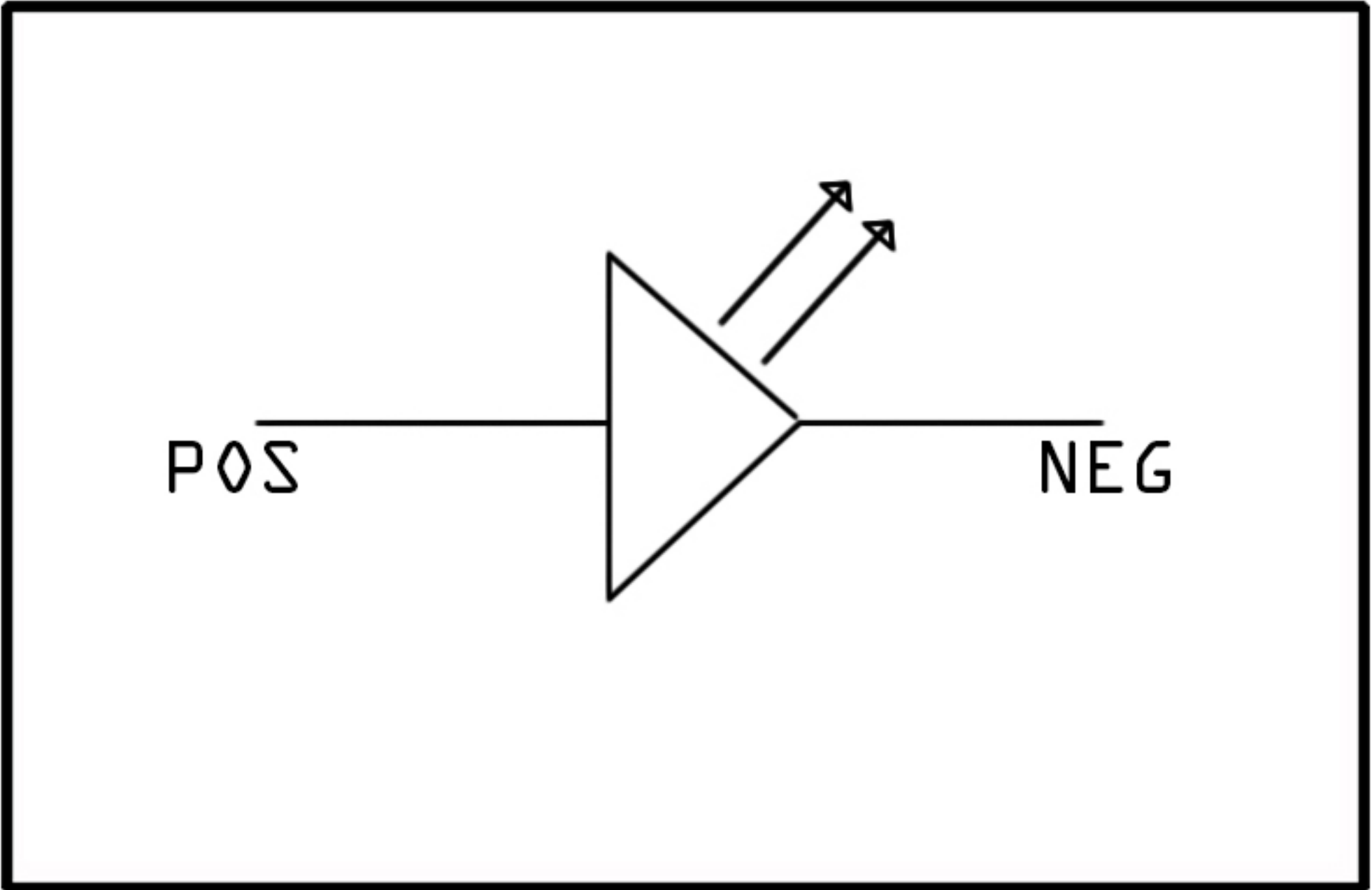
PIN 2 +5V



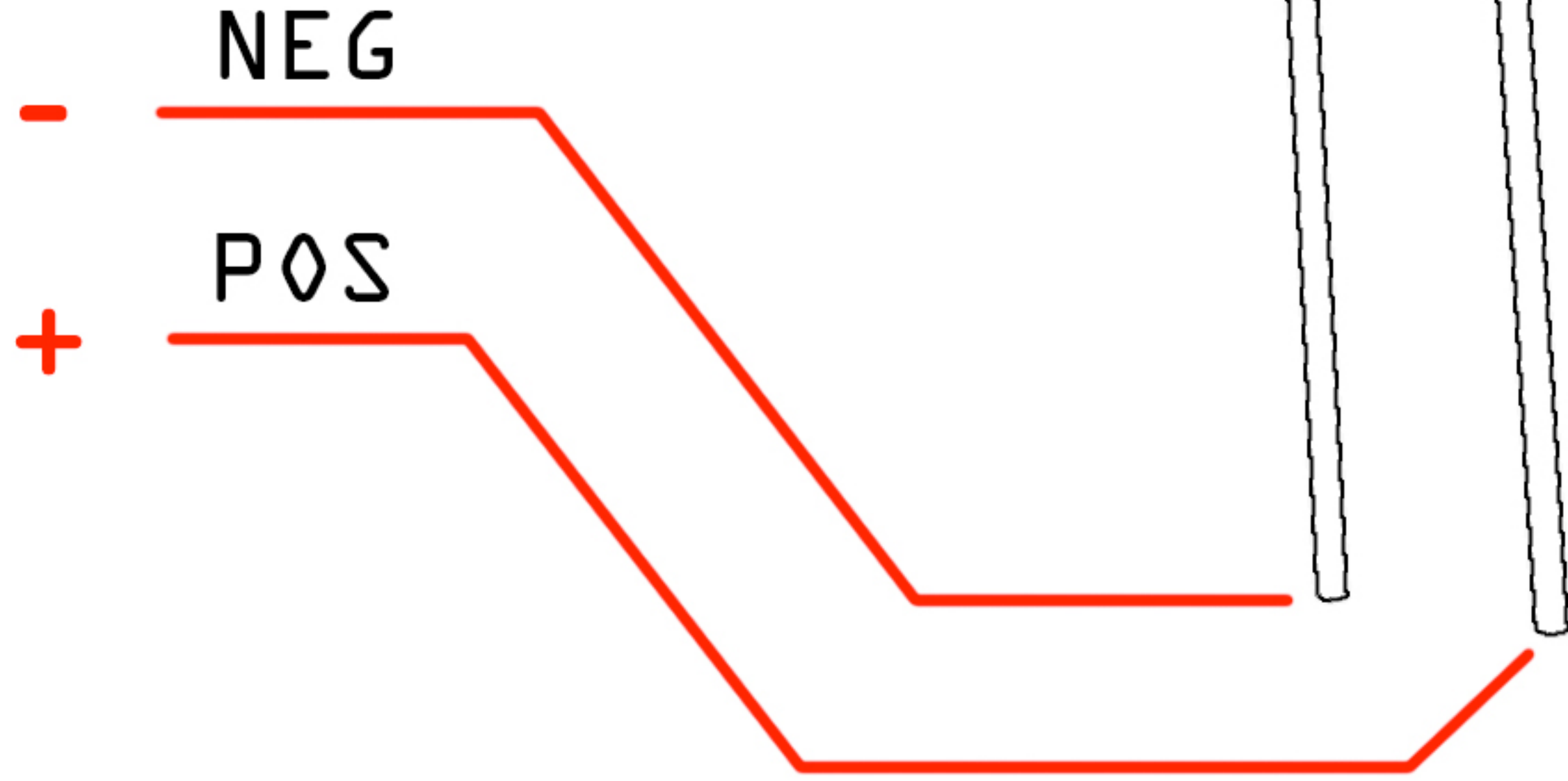
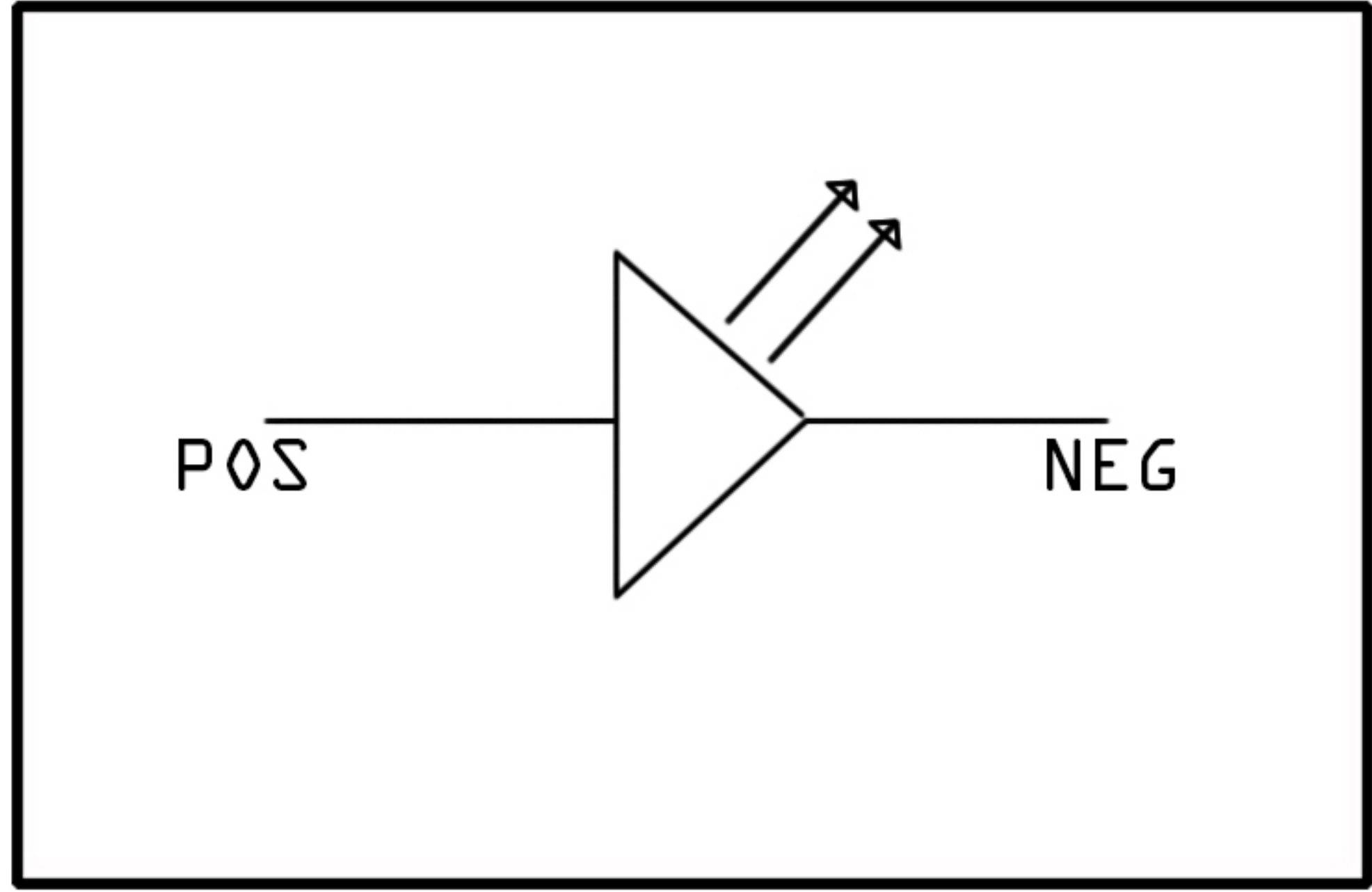
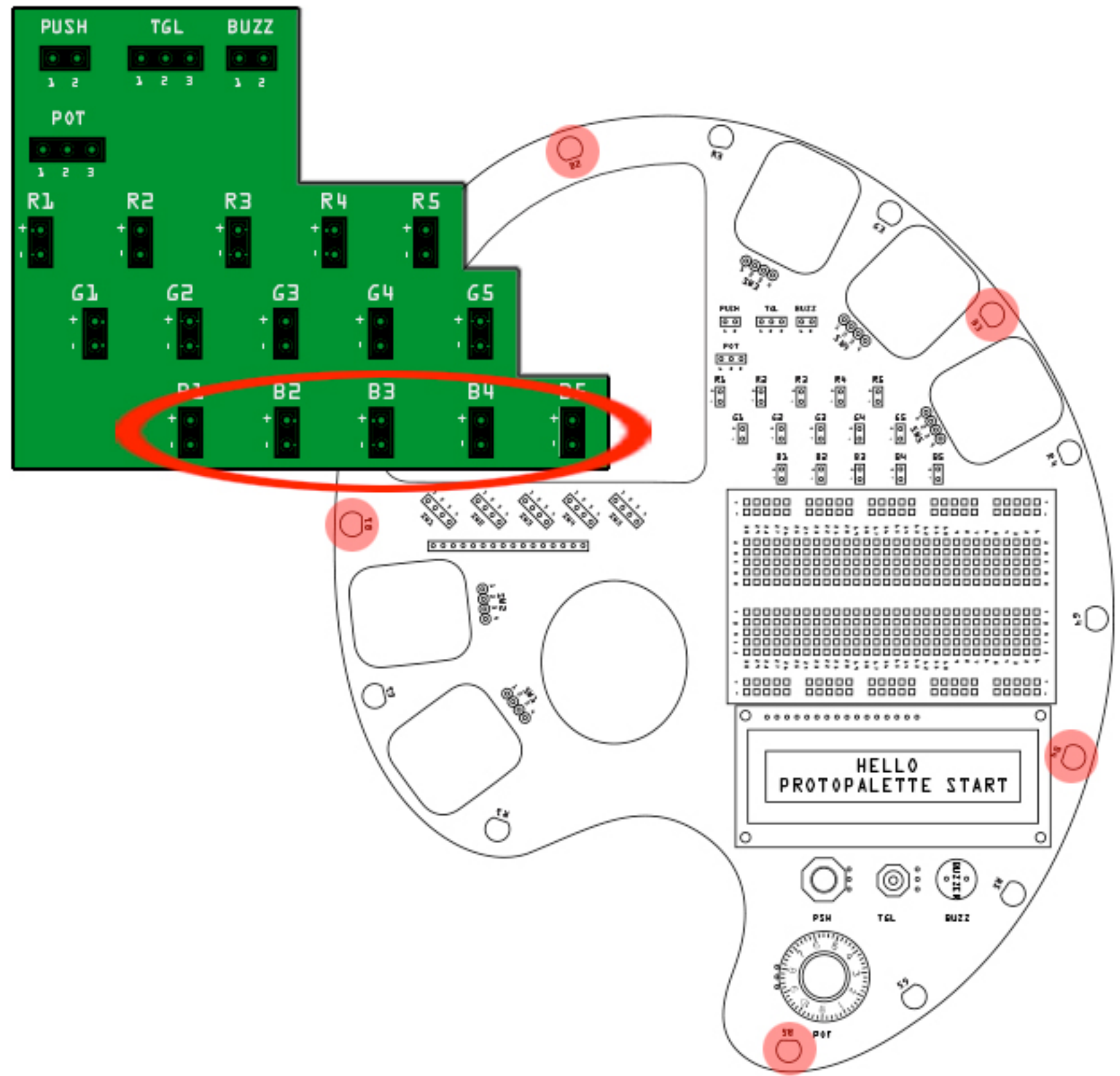
RED LEDs
5 TOTAL AROUND
RIM OF PALETTE



GREEN LEDs
5 TOTAL AROUND
RIM OF PALETTE

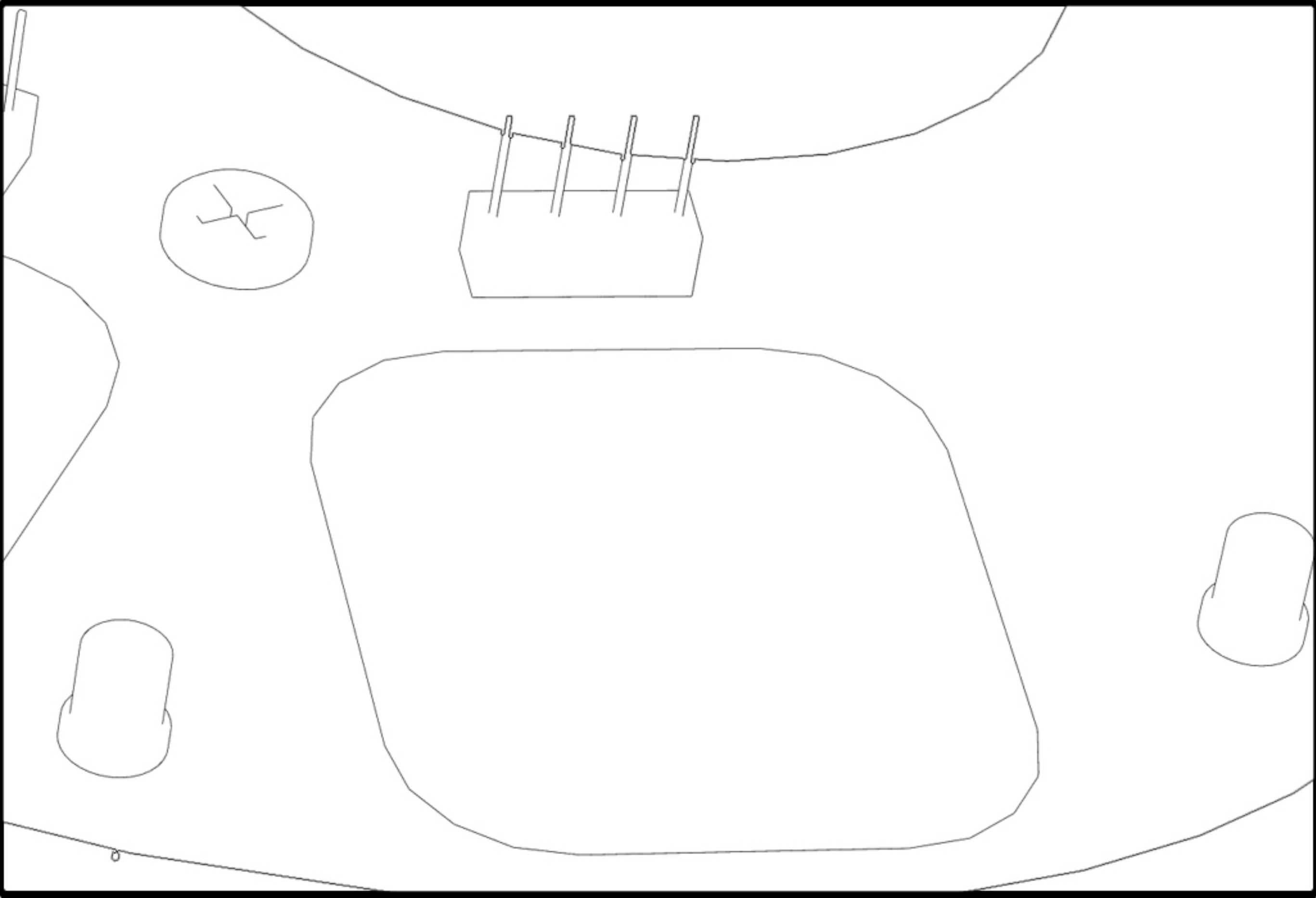
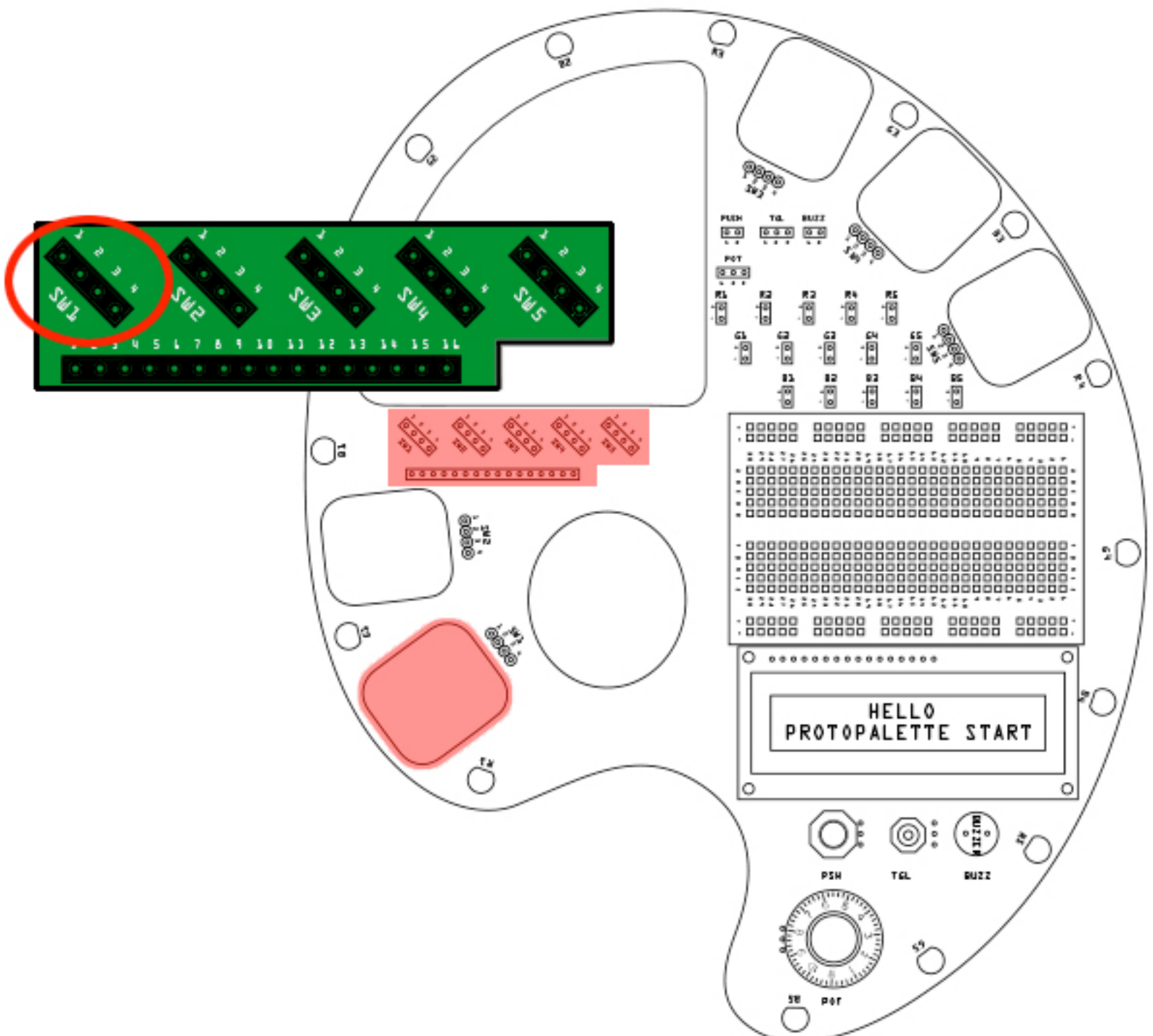


BLUE LEDs
5 TOTAL AROUND
RIM OF PALETTE



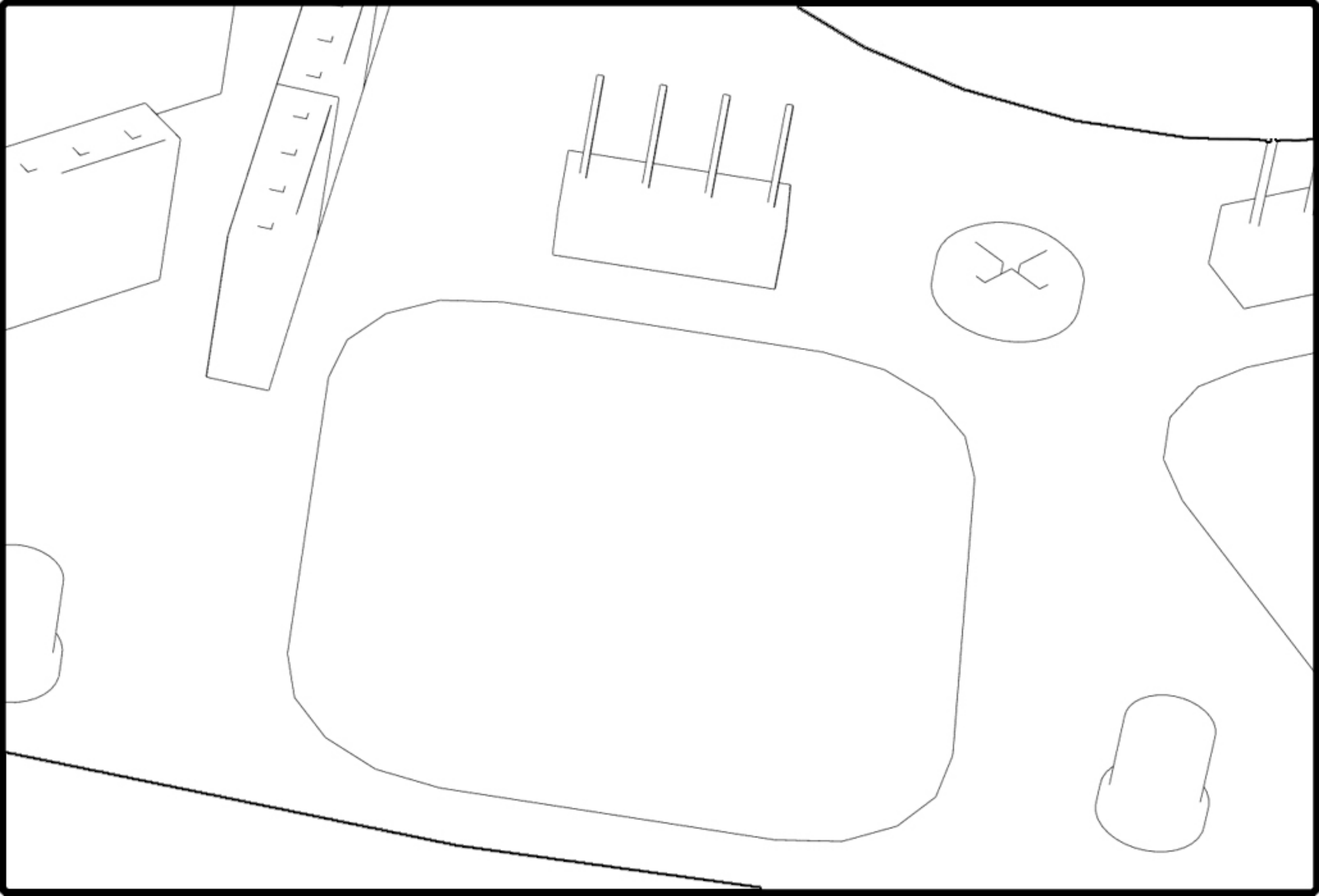
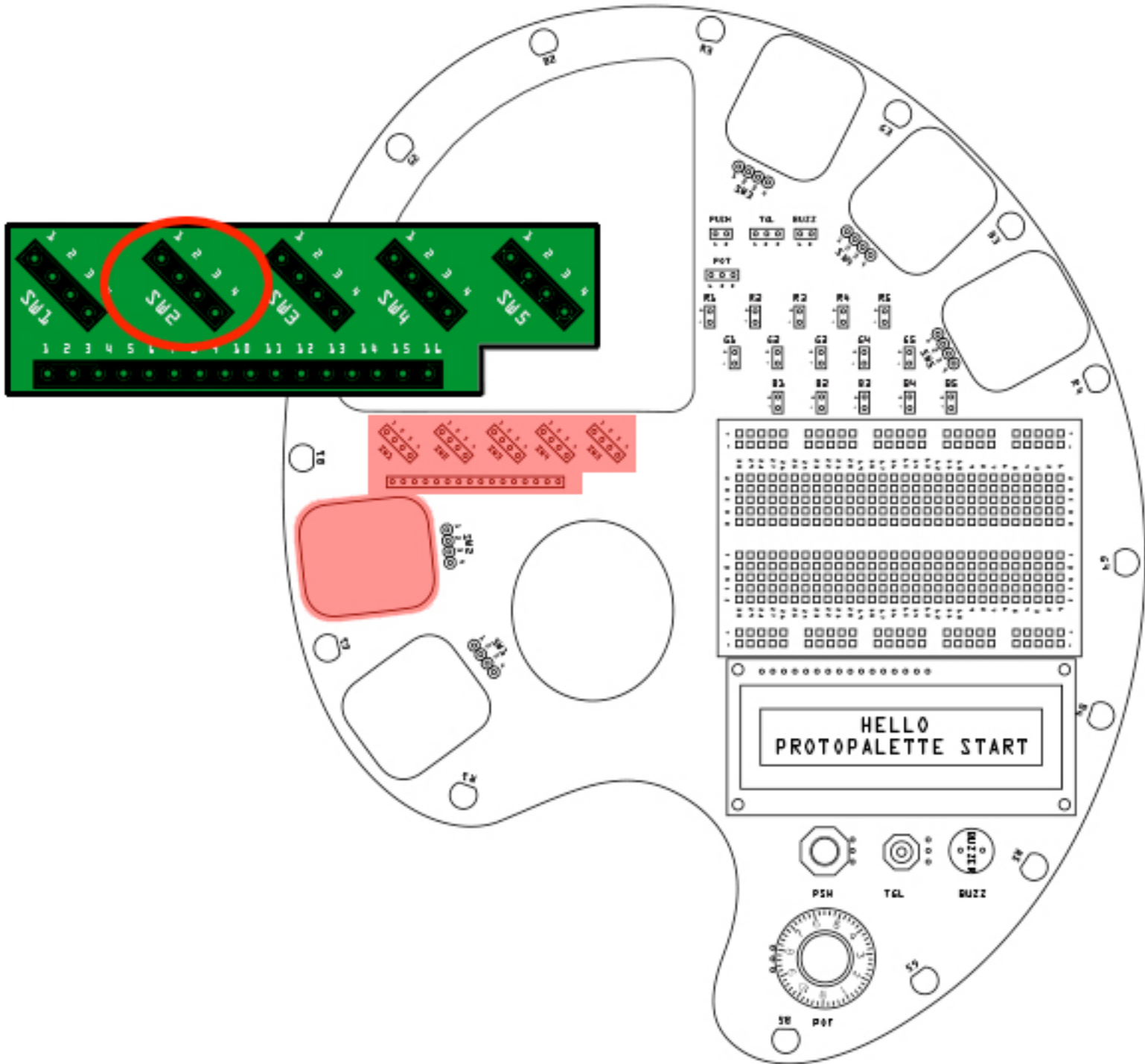
SWATCH 1

A PLACE FOR YOUR
MODULES



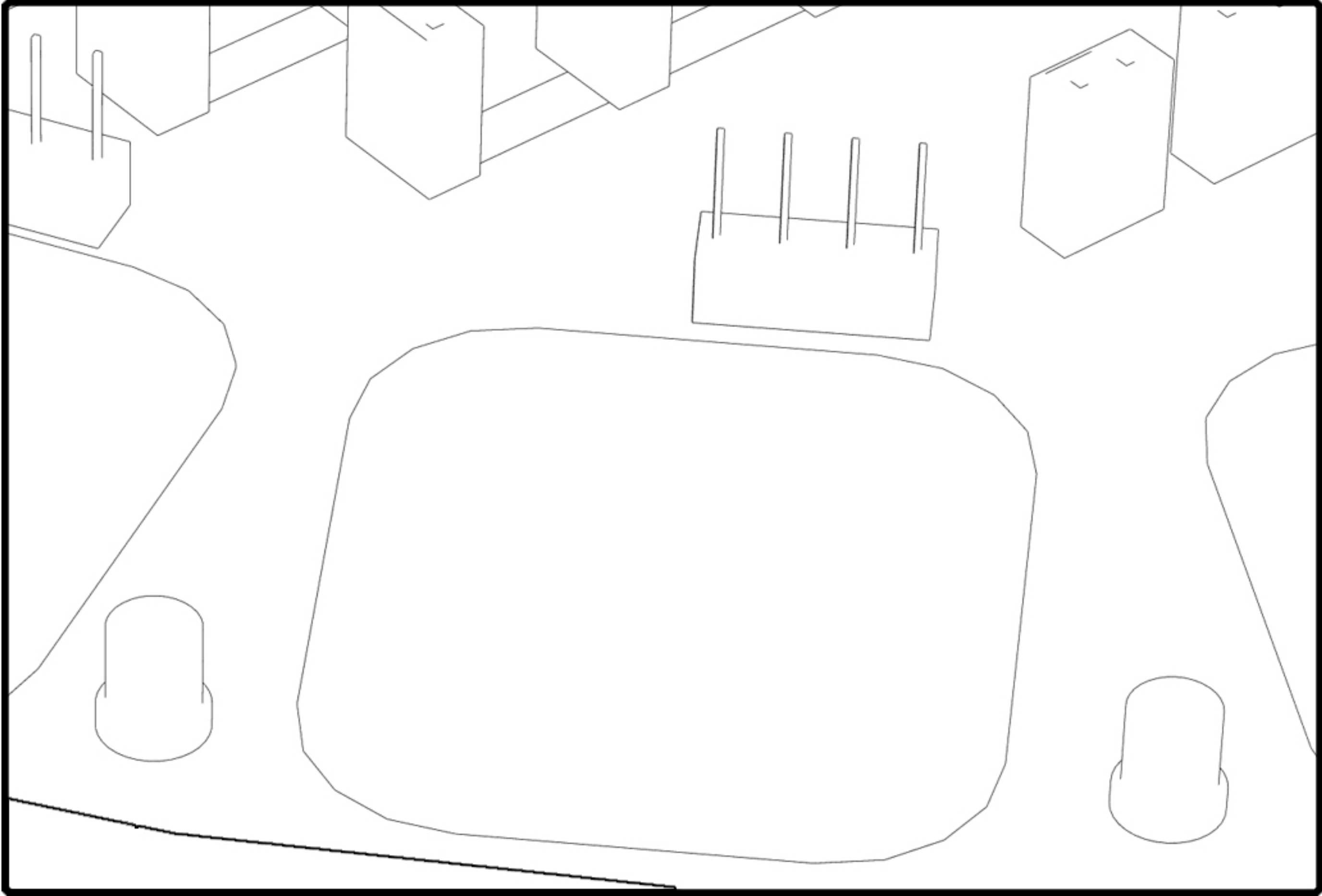
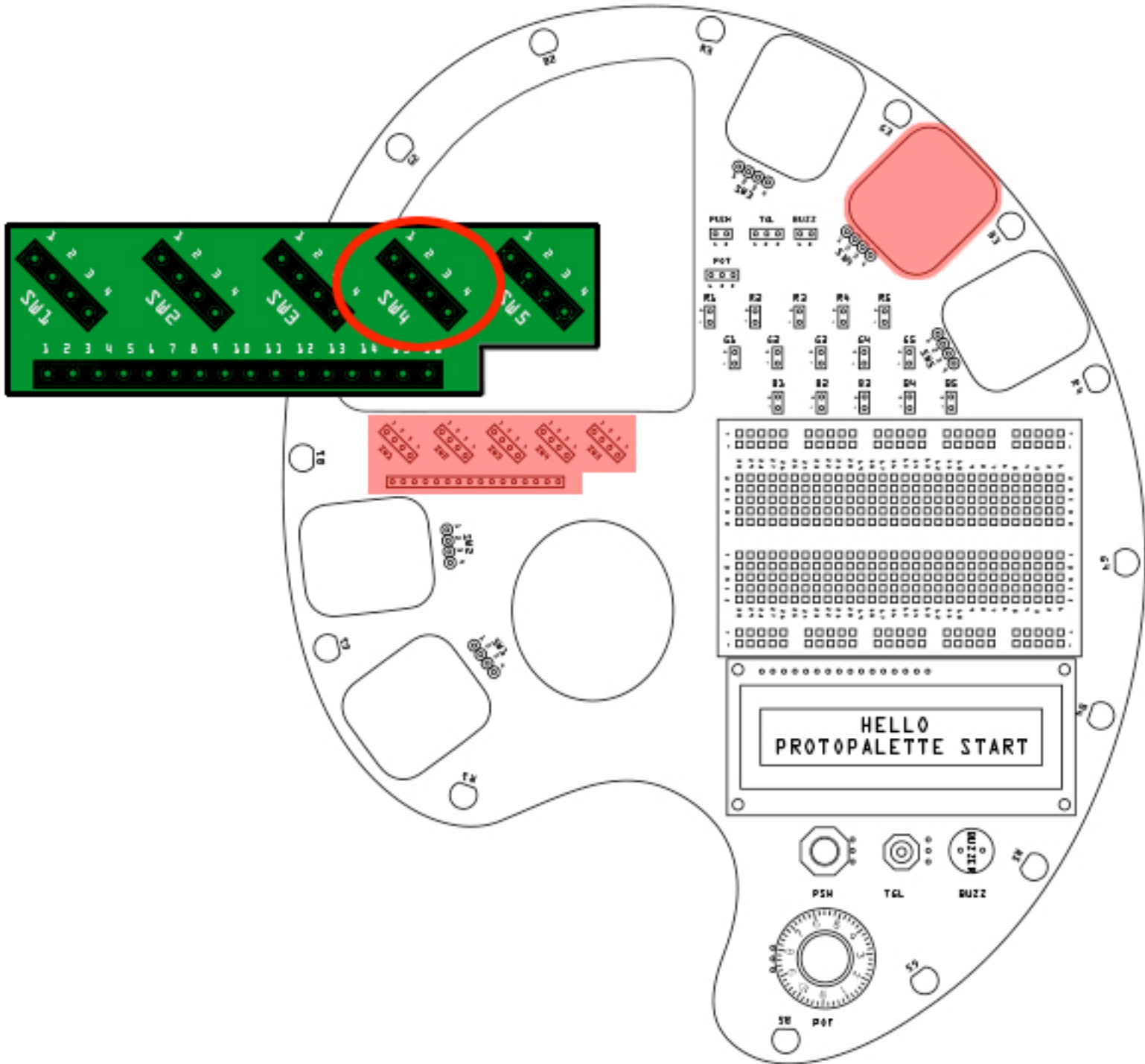
SWATCH 2

A PLACE FOR YOUR
MODULES



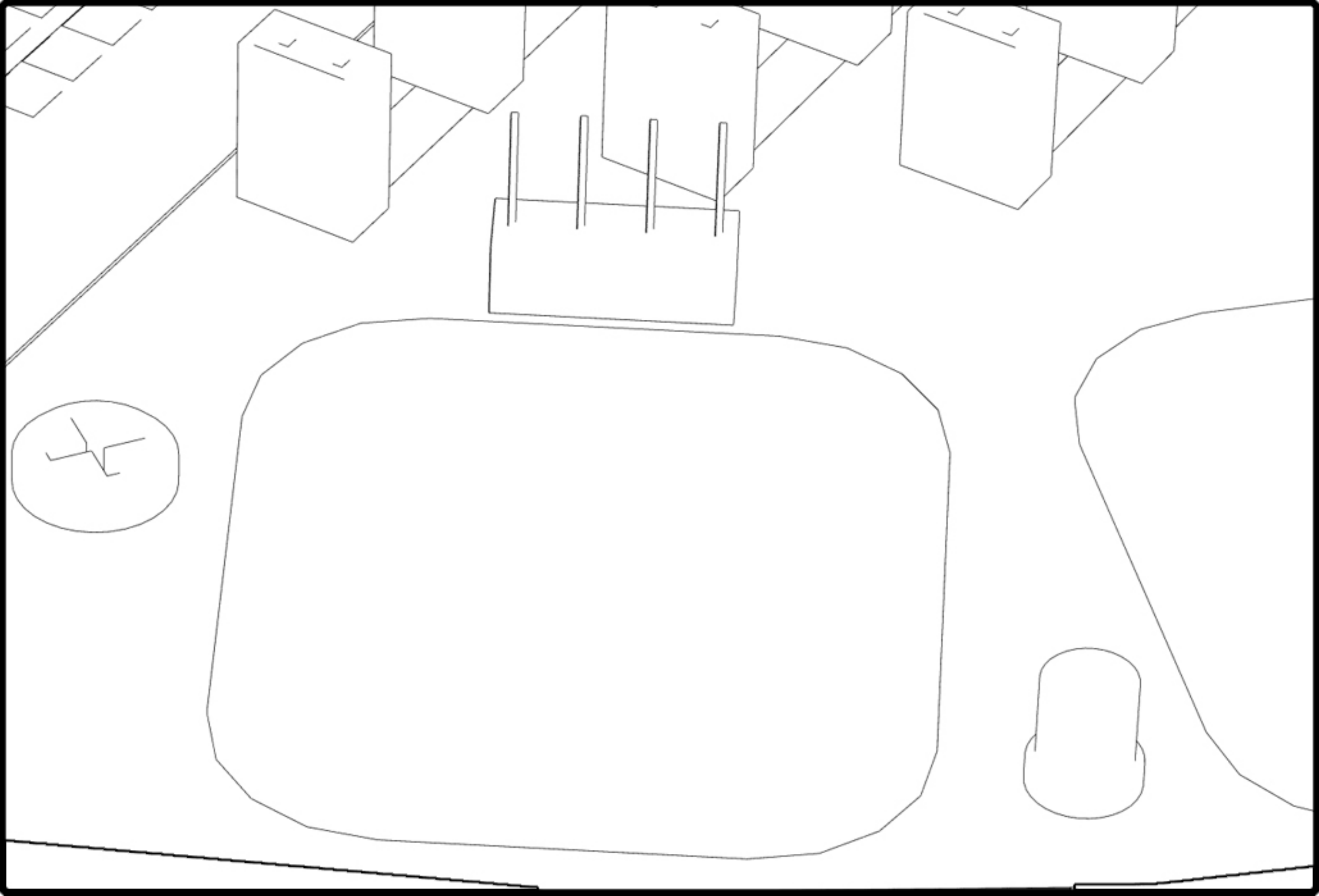
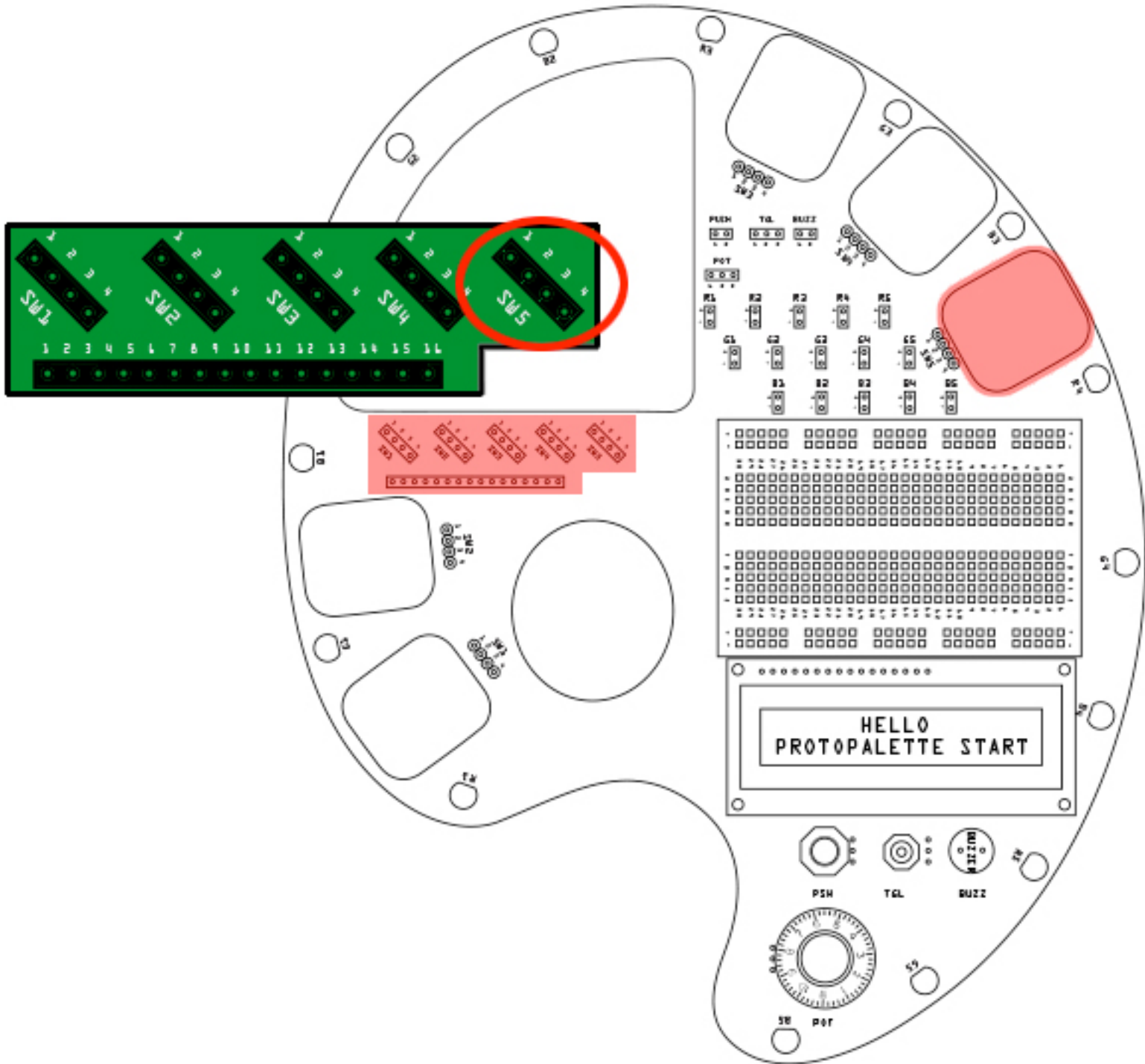
SWATCH 4

A PLACE FOR YOUR
MODULES



SWATCH 5

A PLACE FOR YOUR
MODULES



TYPICAL MODULE INSTALLED ON SWATCH

