



KCHDDpm



KCK66Dpm



KCUABDpm



KCUAA2Dpm



SACK2Dpm



SGACK2SDpm



SGKSsuDpm



SKFDpm



SKmcDpm



KOCMMDpm



KOCsMDpm



KOLMMDXDpm



KOLsMDXDpm



KOTMMDpm



KOTsMDpm



KBNC50Dpm



KBNC75Dpm



KSPbkDpm



KSPrdDpm



KADkpk

Code	Description
KCHDDpm	HDMI female to female coupler
KCK66Dpm	RJ12 6p6c female to female coupler
KCUABDpm	USB A female to B female coupler, reversible
KCUAA2Dpm	USB2.0 A female to A female coupler
SACK2Dpm	Category 6 coupler, unshielded
SGACK2SDpm	Category 6A coupler, shielded
SACK3SDpm	Category 6 coupler, shielded (appearance similar to SGACK2SDpm)
SGKSsuDpm	Category 6A tool-less socket, shielded
SKFDpm	Category 6 tool-less IDC socket, unshielded
SKmcDpm	Category 6 socket, LSA-Plus and 110 type termination, unshielded
KOCMMDpm	Fibre coupler SC to SC, multi mode simplex
KOCSMDpm	Fibre coupler SC to SC, single mode simplex
KOLMMDXDpm	Fibre coupler LC to LC, multi mode duplex
KOLSMDXDpm	Fibre coupler LC to LC, single mode duplex
KOTMMDpm	Fibre coupler ST to ST, multi mode simplex, black dustcover
KOTSMDpm	Fibre coupler ST to ST, single mode simplex, yellow dustcover
KBNC50Dpm	BNC 50 ohm in D UNIVERSAL adaptor
KBNC75Dpm	BNC 75 ohm in D UNIVERSAL adaptor
KSPbkDpm	Speaker module with black elastic identifier
KSPrdDpm	Speaker module with red elastic identifier
FFD16cm	16 port panel for D UNIVERSAL series connectors with cable management
KADscrew R/F	M3 screw to fit standard panels, in bag of 50 pieces; roundhead or flathead, black
KADkpk	D UNIVERSAL Blank

### More Information:

TUK's D UNIVERSAL series of connectors offers a wide variety of audio, video and data connectors all available for use in standard 'D Series' XLR type cut-outs.

Designed for rear mounting, our connectors have a pleasing flush appearance when mounted in suitable panels. With a smart black polycarbonate mounting plate, pre-threaded for M3 screws, all items in the range can be mounted quickly without need for any securing nuts.

All connectors are made to relevant standards. Category 6 and 6A connectors are produced, for example, to FCC68 and to TIA/EIA 568B and have an insertion life of >750 mating cycles. All products are CE compliant (i.e including ROHS and REACH)

## Specifications:

- Each connector supplied as a kit comprises of connector and D UNIVERSAL adaptor (KADpm)

## D UNIVERSAL adaptor (KADpm)

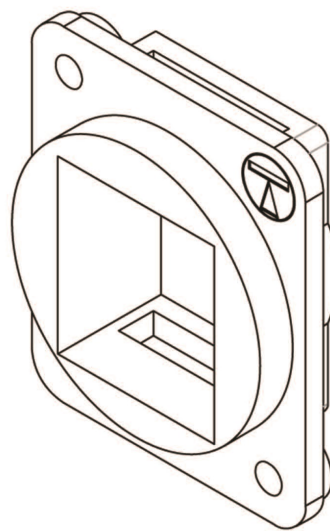
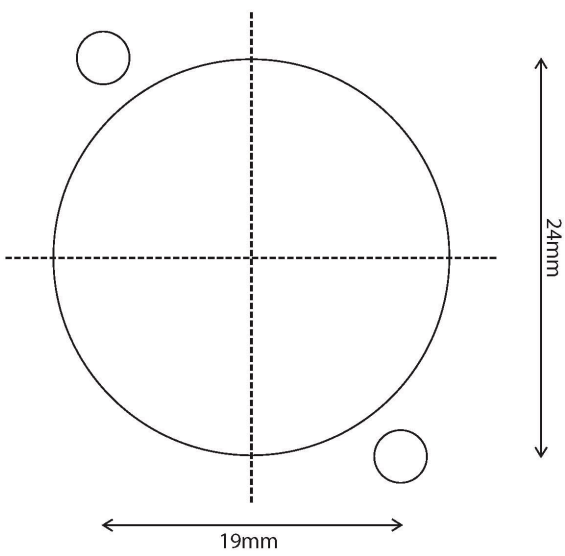


Front

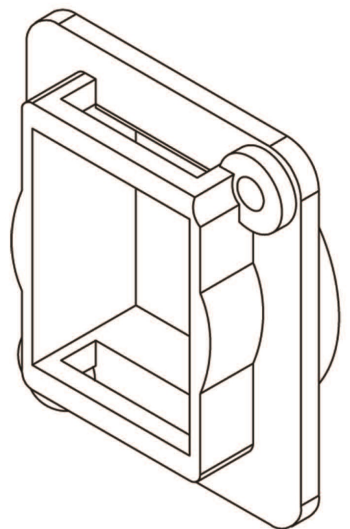


Back

## Requirements for cut-out:



Front



Back