

基板装着参考図 (シェル)
FIGURE OF MOUNTING (SHELL)

推奨基板寸法 (実装面側) (t=0.8)
REFERENCE USE ONLY PCB PATTERN LAYOUT

注記 NOTES

- 材質 MATERIAL
 ハウジング: PPS, UL94V-0
 HOUSING: PPS, UL94V-0
 ターミナル: リン青銅
 TERMINAL: PHOSPHOR BRONZE
 メッキ PLATING
 接点部: 金メッキ0.76µmMIN.
 CONTACT AREA: GOLD 0.76 MICROMETER MIN.
 半田付け部: 錫メッキ1.0µm
 SOLDER TAIL AREA: TIN 1.0 MICROMETER MIN.
 下地メッキ: ニッケルメッキ2.0µmMIN.
 UNDER PLATING: NICKEL 2.0 MICROMETER MIN.
 シェル: 鋼
 SHELL: STEEL
 メッキ PLATING
 半田付け部: 錫メッキ1.0µmMIN.
 SOLDER TAIL AREA: TIN 1.0 MICROMETER MIN.
 下地メッキ: ニッケルメッキ1.0µmMIN.
 UNDER PLATING: NICKEL 1.0 MICROMETER MIN.
 ロック: リン青銅
 LOCK: PHOSPHOR BRONZE
 メッキ PLATING
 錫メッキ0.9µmMIN.
 TIN-PLATING: 0.9µmMIN.

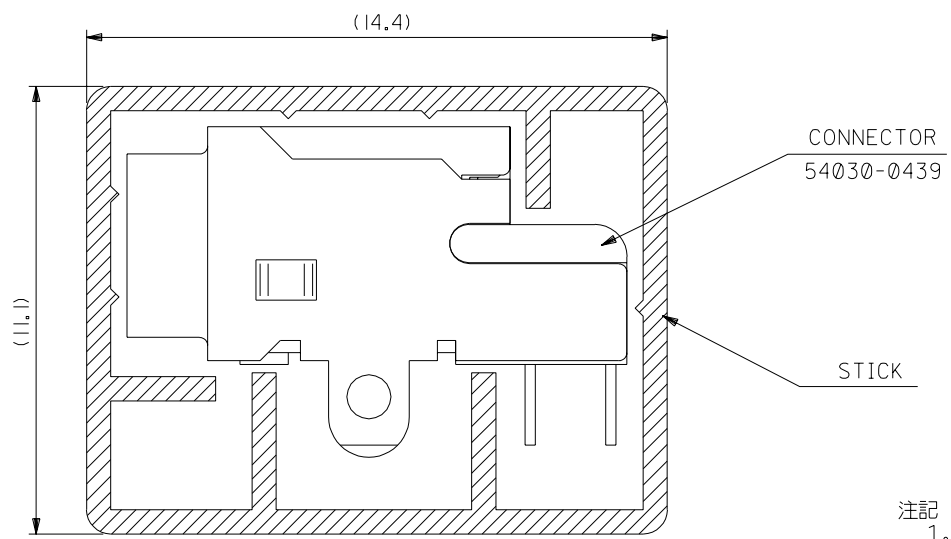
2. 本製品は54030-***31の鉛フリー品である。
THIS PRODUCT IS LEAD FREE OF 54030-***31.

54030-0439	4
MATERIAL NO.	CKT.

DO NOT SCALE DRAWING

EC NO. DRWN: CHK: APPR:	EC NO. DRWN: CHK: APPR:	EC NO. DRWN: CHK: APPR:	EC NO. DRWN: CHK: APPR:	RELEASED	MATERIAL 材料	GENERAL TOLERANCES: (UNLESS SPECIFIED) 一般公差	SCALE	MODEL NO.	DIMENSIONS:		SHT	REV
				EC NO.-J2004-4239		SEE NOTES	5 : 1	54030-***39	mm	INCH		
DRWN: Y.WADA '04/05/14	DRWN: Y.WADA '04/05/14	DRWN: M.SASAO '04/05/14	DRWN: M.SASAO '04/05/14	DESCRIPTION	FINISH 仕上げ	10 UNDER 未満	±0.2	DRAWN BY & DATE Y.WADA '04/05/14	TITLE: 0.8mm PITCH I/O CONN. SOCKET HOUSING ASSY -LEAD FREE-			
CHK: M.SASAO '04/05/14	CHK: M.SASAO '04/05/14	CHK: M.SASAO '04/05/14	CHK: M.SASAO '04/05/14	DESCRIPTION	FINISH 仕上げ	10 OVER 30 UNDER 以上 未満	±0.25	CHECKED BY & DATE M.SASAO '04/05/14	MOLEX MOLEX INCORPORATED			
APPR: M.SASAO '04/05/14	APPR: M.SASAO '04/05/14	APPR: M.SASAO '04/05/14	APPR: M.SASAO '04/05/14	DESCRIPTION	FINISH 仕上げ	30 OVER 以上	±0.3	APPROVED BY & DATE M.SASAO '04/05/14				
WIRE RANGE 適用電線範囲	—		WIRE RANGE 適用電線範囲	—	ANGLE 角度	±3°	CAD FILENAME SD-54030-039.S01	MATERIAL NO. SEE CHART	DRAWING NO. SD-54030-039	SHEET NO. 1 OF 1	SIZE B	
INS. RANGE 被覆外径	—		INS. RANGE 被覆外径	—	THIS DRAWING CONTAINS INFORMATION THAT IS PROPRIETARY TO MOLEX INCORPORATED AND SHOULD NOT BE USED WITHOUT WRITTEN PERMISSION.							

DWG. NO.
SD-54030-040



- 注記 (NOTES)
- スティックの両端はキャップ止め。
BOTH ENDS WITH CAPS.
 - スティック肉厚: 0.6
THICKNESS : 0.6
 - スティック全長: 600±2
TOTAL LENGTH : 600±2
 - 本製品は54030-**-91の鉛フリー品である。
THIS PRODUCT IS LEAD FREE OF 54030-**-91.

DO NOT SCALE DRAWING

EC NO. DRWN: CHK: APPR:	EC NO. DRWN: CHK: APPR:	EC NO. DRWN: CHK: APPR:	EC NO. DRWN: CHK: APPR:	EC NO. DRWN: CHK: APPR:
----------------------------------	----------------------------------	----------------------------------	----------------------------------	----------------------------------

RELEASED
EC NO. J2004-4239
DRWN: Y.WADA '04/05/14
CHK: M.SASAO '04/05/14
APPR: M.SASAO '04/05/14

MATERIAL 材料	SEE NOTES
FINISH 仕上げ	SEE NOTES
WIRE RANGE 適用電線範囲	— // —
INS. RANGE 被覆外径	— // —

GENERAL TOLERANCES: (UNLESS SPECIFIED) 一般公差	SCALE 5 : 1
10 UNDER 未満	±0.2
10 OVER 30 UNDER 以上 未満	±0.25
30 OVER 以上	±0.3
ANGLE 角度	±3°

MODEL NO. DESIGN UNITS	54030-**-71 <input checked="" type="checkbox"/> mm <input type="checkbox"/> INCH
THIRD ANGLE PROJECTION	<input checked="" type="checkbox"/> THIRD ANGLE <input type="checkbox"/> FIRST ANGLE
DRAWN BY & DATE Y.WADA '04/05/14	CHECKED BY & DATE M.SASAO '04/05/14
APPROVED BY & DATE M.SASAO '04/05/14	CAD FILENAME SD-54030-040.S01

PACKAGING QUANTITY	60	MATERIAL NO.	54030-0471	CKT. NO.	4
DIMENSIONS:	<input type="checkbox"/> mm <input type="checkbox"/> INCH	<input type="checkbox"/> mm <input checked="" type="checkbox"/> mm ONLY	SHT	REV	REVISE ON CAD ONLY
TITLE: 54030-0439 STICK PACKAGING -LEAD FREE-					
MOLEX INCORPORATED					
MATERIAL NO.	SEE CHART	DRAWING NO.	SD-54030-040	SHEET NO.	1 OF 1
THIS DRAWING CONTAINS INFORMATION THAT IS PROPRIETARY TO MOLEX INCORPORATED AND SHOULD NOT BE USED WITHOUT WRITTEN PERMISSION.					SIZE B