

**PLEASE CHECK WWW.MOLEX.COM FOR LATEST PART INFORMATION**

**Part Number:** **0438600013**  
**Status:** **Active**  
**Overview:** Modular Plugs - Jacks  
**Description:** Modular Jack, Right Angle, Low Profile, Inverted, Shielded, Offset Panel Grounding Tabs, 8/8

**Documents:**

|                                                          |                                                              |
|----------------------------------------------------------|--------------------------------------------------------------|
| <a href="#">3D Model</a>                                 | <a href="#">Application Specification AS-43860-001 (PDF)</a> |
| <a href="#">Drawing (PDF)</a>                            | <a href="#">Test Summary TS-43860-001 (PDF)</a>              |
| <a href="#">Product Specification PS-43860-003 (PDF)</a> | <a href="#">RoHS Certificate of Compliance (PDF)</a>         |

**Agency Certification**

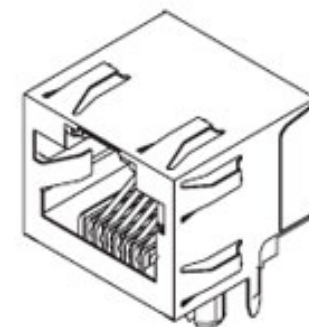
|     |         |
|-----|---------|
| CSA | LR19980 |
| UL  | E107635 |

**General**

|                           |                              |
|---------------------------|------------------------------|
| Product Family            | Modular Jacks/Plugs          |
| Series                    | <u>43860</u>                 |
| Component Type            | PCB Jack                     |
| Magnetic                  | No                           |
| Overview                  | <u>Modular Plugs - Jacks</u> |
| Performance Category      | 3                            |
| Power over Ethernet (PoE) | N/A                          |
| Product Name              | RJ45                         |
| UPC                       | 800753919976                 |

**Physical**

|                                |                                |
|--------------------------------|--------------------------------|
| Boot Color                     | N/A                            |
| Color - Resin                  | Black                          |
| Durability (mating cycles max) | 500                            |
| Flammability                   | 94V-0                          |
| Inverted / Top Latch           | Yes                            |
| Jack Height                    | 13.53mm                        |
| Lightpipes/LEDs                | None                           |
| Material - Metal               | Brass, Phosphor Bronze         |
| Material - Plating Mating      | Gold                           |
| Material - Plating Termination | Tin                            |
| Material - Resin               | High Temperature Thermoplastic |
| Net Weight                     | 3.726/g                        |
| Orientation                    | Right Angle (Side Entry)       |
| PCB Locator                    | Yes                            |
| PCB Retention                  | Yes                            |
| PCB Thickness - Recommended    | 1.60mm                         |
| Packaging Type                 | Tray                           |
| Panel Mount                    | With Flange                    |
| Pitch - Mating Interface       | 1.02mm                         |
| Pitch - Termination Interface  | 1.02mm                         |
| Plating min - Mating           | 1.270µm                        |
| Plating min - Termination      | 2.540µm                        |
| Ports                          | 1                              |
| Positions / Loaded Contacts    | 8/8                            |
| Surface Mount Compatible (SMC) | No                             |
| Temperature Range - Operating  | -40°C to +85°C                 |
| Termination Interface: Style   | Through Hole                   |
| Waterproof / Dustproof         | No                             |
| Wire/Cable Type                | N/A                            |



Series image - Reference only

**EU ELV**

**Not Relevant**

**EU RoHS**

**Compliant**

**REACH SVHC**

Contains SVHC(2014 December 17): No

**Halogen-Free**

**Status**

**Not Low-Halogen**

**Need more information on product environmental compliance?**

Email [productcompliance@molex.com](mailto:productcompliance@molex.com)  
Please visit the [Contact Us](#) section for any non-product compliance questions.

China ROHS

ELV

Green Image

Not Relevant

**Search Parts in this Series**

43860 Series

**Mates With**

FCC 68 Plugs

**Electrical**

|                               |                          |
|-------------------------------|--------------------------|
| Current - Maximum per Contact | 1.5A                     |
| Grounding to PCB              | Yes                      |
| Grounding to Panel            | Offset Panel Ground Tabs |
| Shielded                      | Yes                      |
| Voltage - Maximum             | 150V AC (RMS)            |

**Solder Process Data**

|                                                |      |
|------------------------------------------------|------|
| Duration at Max. Process Temperature (seconds) | 005  |
| Lead-free Process Capability                   | WAVE |
| Max. Cycles at Max. Process Temperature        | 001  |
| Process Temperature max. C                     | 260  |

**Material Info****Reference - Drawing Numbers**

|                           |                                                                             |
|---------------------------|-----------------------------------------------------------------------------|
| Application Specification | AS-43860-001                                                                |
| Product Specification     | PS-43860-003, RPS-43860-004, RPS-43860-007,<br>RPS-43860-008, RPS-43860-013 |
| Sales Drawing             | SD-43860-001                                                                |
| Test Summary              | TS-43860-001                                                                |

This document was generated on 06/24/2015

**PLEASE CHECK [WWW.MOLEX.COM](http://WWW.MOLEX.COM) FOR LATEST PART INFORMATION**