

**PLEASE CHECK WWW.MOLEX.COM FOR LATEST PART INFORMATION**

**Part Number:** [0003092159](#)  
**Status:** **Active**  
**Overview:** Standard .093" Pin and Socket Connectors  
**Description:** 2.36mm Diameter Standard .093" Pin and Socket Plug Housing, 15 Circuits, 3 Rows

**Documents:**

|  |   |
|--|---|
| <a href="#">3D Model</a>                             | <a href="#">Product Specification PS-1375-001 (PDF)</a> |
| <a href="#">Drawing (PDF)</a>                        | <a href="#">Product Specification PS-1375-002 (PDF)</a> |
| <a href="#">Product Specification PS-02-09 (PDF)</a> | <a href="#">RoHS Certificate of Compliance (PDF)</a>    |

**Agency Certification**

|     |         |
|-----|---------|
| CSA | LR19980 |
| UL  | E29179  |

**General**

|                |   |
|----------------|---|
| Product Family | Crimp Housings  |
| Series         | <a href="#">1375</a>  |
| Application    | Power, Wire-to-Wire   |
| Comments       | 12.5A max. can be achieved when housing is used with 42477 or 42478 terminals |
| MolexKits      | Yes   |
| Overview       | <a href="#">Standard .093" Pin and Socket Connectors</a>                      |
| Product Name   | Standard .093"  |
| UPC            | 800753617544  |

**Physical**

|                               |                 |
|-------------------------------|-----------------|
| Circuits (maximum)            | 15              |
| Color - Resin                 | Natural         |
| Flammability                  | 94V-2           |
| Gender                        | Plug            |
| Glow-Wire Compliant           | No              |
| Material - Resin              | Nylon           |
| Net Weight                    | 6.469/g         |
| Number of Rows                | 3               |
| Packaging Type                | Bag             |
| Panel Mount                   | Yes             |
| Pitch - Mating Interface      | 5.03mm          |
| Stackable                     | No              |
| Temperature Range - Operating | -40°C to +105°C |

**Electrical**

|                               |      |
|-------------------------------|------|
| Current - Maximum per Contact | 9.5A |
|-------------------------------|------|

**Solder Process Data**

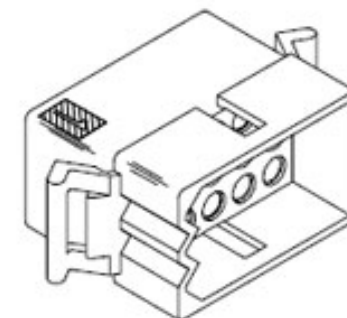
|                             |     |
|-----------------------------|-----|
| Lead-freeProcess Capability | N/A |
|-----------------------------|-----|

**Material Info**

|                 |         |
|-----------------|---------|
| Old Part Number | 1375-P4 |
|-----------------|---------|

**Reference - Drawing Numbers**

|                       |                                    |
|-----------------------|------------------------------------|
| Product Specification | PS-02-09, PS-1375-001, PS-1375-002 |
| Sales Drawing         | SD-1375-*                          |



*Series image - Reference only*

**EU ELV**

**Not Relevant**

**EU RoHS**

**Compliant**

**REACH SVHC**

Contains SVHC(17. December 2014): No

**Halogen-Free**

**Status**

**Low-Halogen**

**Need more information on product environmental compliance?**

Email [productcompliance@molex.com](mailto:productcompliance@molex.com)  
Please visit the [Contact Us](#) section for any non-product compliance questions.

China ROHS

ELV

Green Image

Not Relevant

**Search Parts in this Series**

[1375 Series](#)

**Mates With**

[03-09-1154](#) , [03-09-1157](#)

**Use With**

[1189](#) Crimp Terminals, [1190](#) Crimp Terminals, [1380](#) Male Crimp Terminals, [1381](#) Female Crimp Terminals, [1433](#) Crimp Terminals, [1434](#) Male Crimp Terminals, [1973](#) , [2151](#) , [2273](#) , [2870](#) , [2871](#) , [4272](#) , Link: [4550](#), [6271](#)