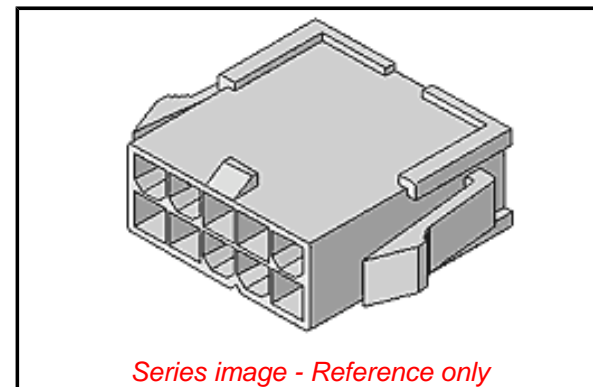


PLEASE CHECK WWW.MOLEX.COM FOR LATEST PART INFORMATION

Part Number: [0039013143](#)
Status: **Active**
Overview: [Mini-Fit Jr.™ Power Connectors](#)
Description: Mini-Fit Jr.™ Plug Housing, Dual Row without Panel Mount Ears, PA Polyamide Nylon 6/6, UL 94V-2, 14 Circuits

Documents:

| | |
|--|---|
| 3D Model | Packaging Specification PK-5559-002 (PDF) |
| Drawing (PDF) | Test Summary TS-5556-002 (PDF) |
| Product Specification PS-45750-001 (PDF) | RoHS Certificate of Compliance (PDF) |
| Product Specification PS-5556-001 (PDF) | |



Agency Certification

| | |
|-----|---------|
| CSA | LR19980 |
| UL | E29179 |

General

| | |
|----------------|--|
| Product Family | Crimp Housings |
| Series | 5559 |
| Application | Power, Wire-to-Board, Wire-to-Wire |
| Comments | Current = 13A max. per circuit when header is mated to a receptacle loaded with 45750 series terminals crimped to 16 AWG wire. . See Molex product specification PS-45750-001 for additional current derating information. |
| MolexKits | Yes |
| Overview | Mini-Fit Jr.™ Power Connectors |
| Product Name | Mini-Fit Jr.™ |
| UPC | 800753683730 |

Physical

| | |
|-------------------------------|-----------------|
| Breakaway | No |
| Circuits (maximum) | 14 |
| Color - Resin | Natural |
| Flammability | 94V-2 |
| Gender | Plug |
| Glow-Wire Compliant | No |
| Keying to Mating Part | None |
| Lock to Mating Part | Yes |
| Material - Resin | Nylon |
| Net Weight | 3.882/g |
| Number of Rows | 2 |
| Packaging Type | Bag |
| Panel Mount | No |
| Pitch - Mating Interface | 4.20mm |
| Pitch - Termination Interface | 4.20mm |
| Polarized to Mating Part | Yes |
| Stackable | No |
| Temperature Range - Operating | -40°C to +105°C |

Electrical

| | |
|-------------------------------|-------|
| Current - Maximum per Contact | 13.0A |
|-------------------------------|-------|

Solder Process Data

| | |
|-----------------------------|-----|
| Lead-freeProcess Capability | N/A |
|-----------------------------|-----|

Material Info

| | |
|-----------------|-----------|
| Old Part Number | 5559-14P1 |
|-----------------|-----------|

EU ELV

Not Relevant

EU RoHS

Compliant

China RoHS

REACH SVHC

Contains SVHC(17. December 2014): No

Halogen-Free

Status

Low-Halogen

Need more information on product environmental compliance?

Email productcompliance@molex.com
Please visit the [Contact Us](#) section for any non-product compliance questions.

China ROHS

ELV

Green Image

Not Relevant

Search Parts in this Series

[5559 Series](#)

Mates With

[39-01-2140 Receptacle Housing](#)

Use With

[5558 Mini-Fit Jr.™ Male Crimp Terminals.](#)
[30490 Mini-Fit® Male Grounding Crimp Terminals](#)

Reference - Drawing Numbers

Packaging Specification

Product Specification

Sales Drawing

Test Summary

PK-5559-002

PS-45750-001, PS-5556-001

SD-5559-NP1*

TS-5556-002

This document was generated on 06/25/2015

PLEASE CHECK WWW.MOLEX.COM FOR LATEST PART INFORMATION