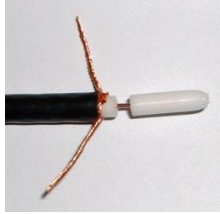


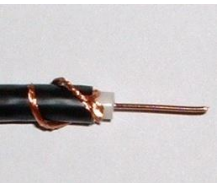
How to fit an F-type connector



Using a sharp knife carefully remove 20mm of the outer plastic of the cable, ensuring not to cut the shield braiding below. Take half the braiding to each side and twist, creating two tails.



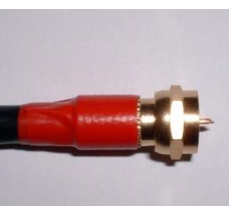
Remove the metal foil to expose the insulator below. With your knife trim the insulator to about 2-3mm from the base of the exposed cable, ensuring not to cut the inner cable.



Ensure that none of the braids from the outer tails are loose. Pull the tails down and twist them round the outer insulator in a 'helter-skelter' formation.

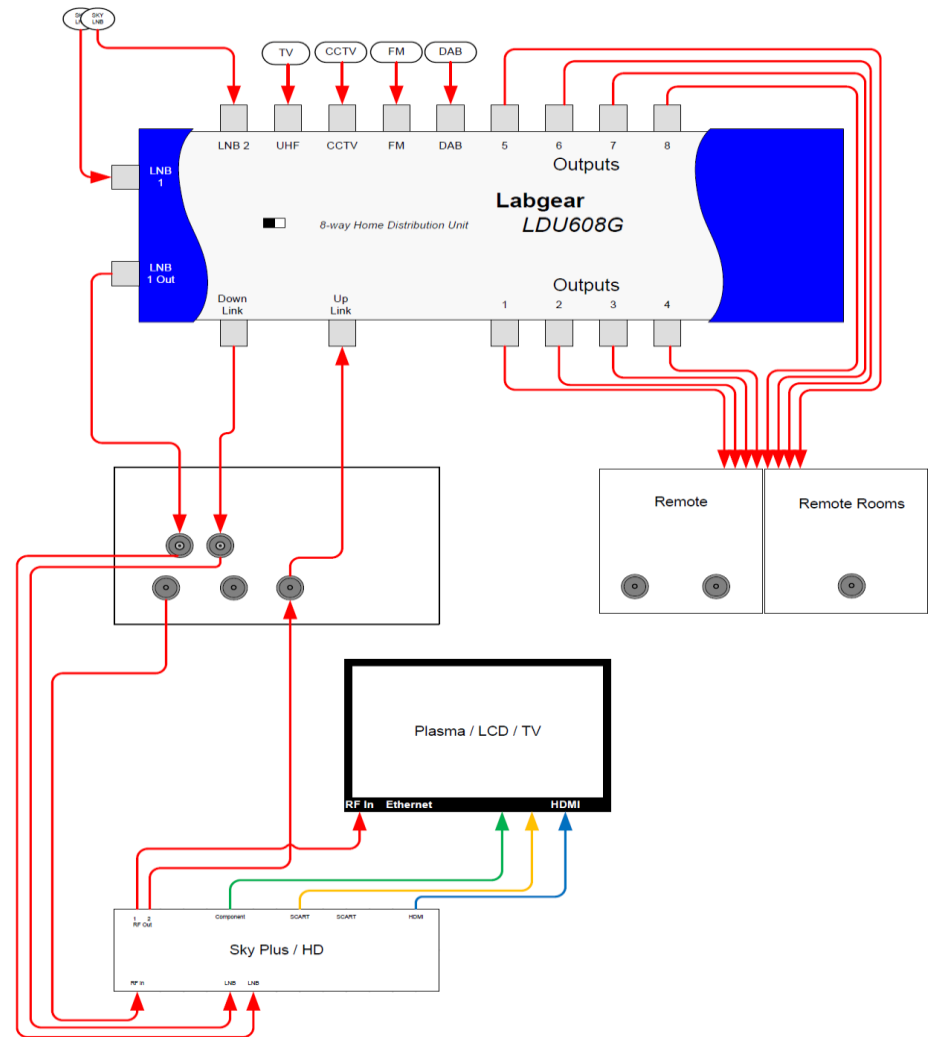


Twist the connector down so it bites onto the braiding and outer insulator. Check that there is no connection between the inner core and braiding and tighten until the inner insulator is in line with the inside hole



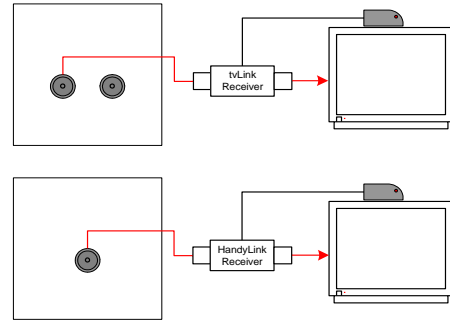
Trim any excess braiding with a sharp knife and tightly wrap round the edge with electrical insulation tape. For outdoor use (ie satellite dish/masthead amp) it is recommended that you dip the connector into Vaseline/silicon grease for waterproofing.

Labgear TV Distribution System LDU608G/LDU604G



IR Control

In your remote rooms you can control your centrally located equipment over the coaxial cable using the Global tvLINK (Sky only) or the Labgear HandyLink (all conventional IR devices).



The HandyLink box goes at your main location and is the last item before you connect back to the Up-Link (as Page 1). If you are using tvLINK your Skybox RF2 Out connects directly to the Up-Link.

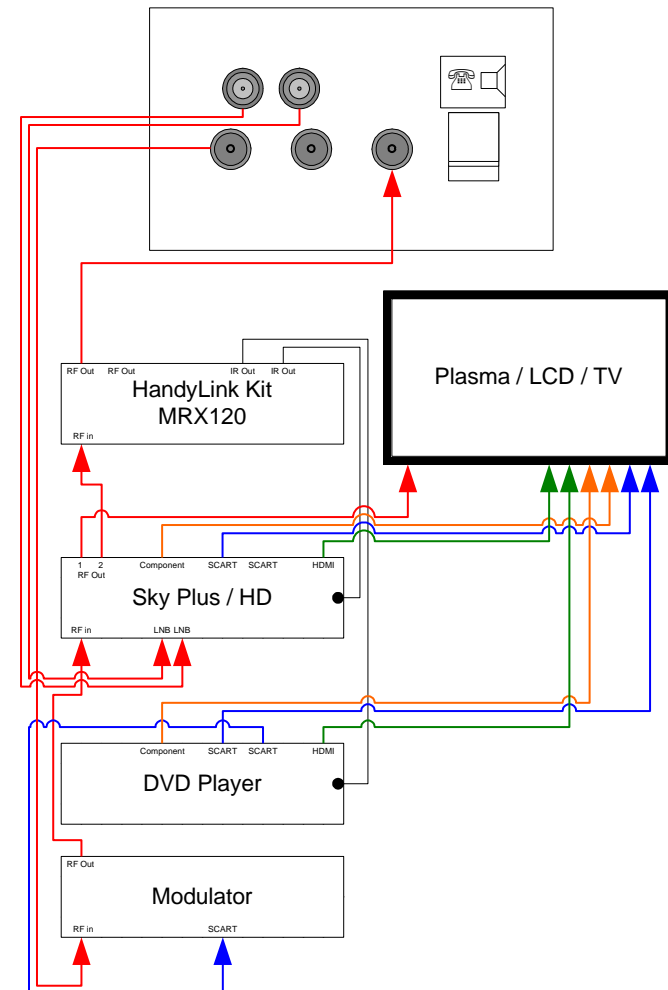
Both tvLINK and HandyLink IR Sensor are connected directly to the TV wall outlet before any other equipment (shown above with Duplex and standard TV outlets).

You **must** use non-isolated outlets.

Use without Sky

You can distribute Cable TV in the same way as Sky except that it is recommended that you run your cable feed directly to the decoder. For IR control use HandyLink IR.

If there is no equipment at the main location you must ensure that the switch on the front of the unit is set to UHF & CCTV or you will not receive any TV pictures to the remote locations.



Configuration for two-four Sky, Sky+ or Sky HD decoders

When you intend to have two (or more) main locations for Sky, Sky+ or Sky HD decoders you need to run a total of four satellite grade CT100 aerial cables to each main location. You will be able to control up to four Sky, Sky+ or Sky HD decoders using the tvLINKS and Global Super Plus Combiner. These use the coaxial cable eliminating the need for additional cables and control systems.

