

NOTES:

1. MATERIAL

- 1.1 HDMI CABLE: (7/0.10BC*1P+7/0.10BC+FAM)*5PCS+7/0.10BC*4C+AL+7/0.12BC+128/0.12ALM+BLACK PVC JACKET.
OD: 6.0 ± 0.2 MM
CABLE MARKING: E324703 **AWM** STYLE 20276 80°C 30V
HIGH SPEED HDMI® CABLE WITH ETHERNET.

- 1.2 HDMI 19PIN TYPE A MALE TO MALE: BLACK INSULATION, GOLD PLATED CONTACTS 3u", NICKEL PLATED SHELL 80u"-100u".

- 1.3 ALL HOOD: MOLDED BLACK PVC.

2. ELECTRICAL

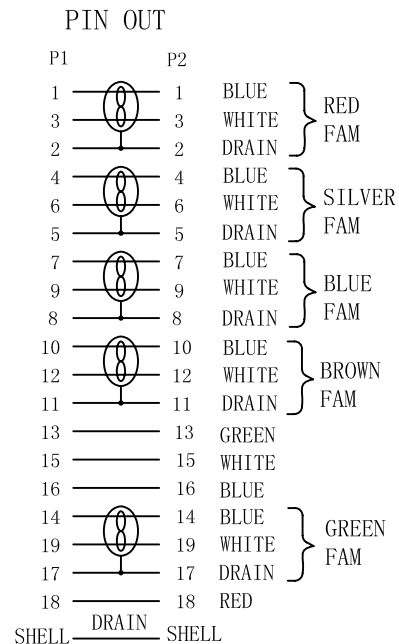
- 2.1 100% OPEN AND SHORT TEST.
- 2.2 CONDUCTOR RESISTANCE: 5 OHMS MAX.
- 2.3 INSULATION RESISTANCE: 10 MEGOHMS MIN.
- 2.4 HI-POT: DC200V/0.01S.
- 2.5 HDTV-DVD TEST : 1080P.

- 3. PACKAGING: A PC/PE-BAG PACKAGING.

- 4. ALL MATERIALS ARE ROHS COMPLIANT.

THE P/N CHART

ITEM NO	L(mm)
90372	500 ± 30 mm
90373	1000 ± 50 mm
90374	1500 ± 50 mm
90375	2000 ± 50 mm
90376	3000 ± 70 mm
90377	5000 ± 70 mm



DRAWING APPROVED _____ DATE: _____

SAMPLE APPROVED PER _____ DATE: _____
DRAWING SPECIFICATIONS

PROPRIETARY & CONFIDENTIAL. THIS DOCUMENT MAY NOT BE COPIED, OR DISCLOSED IN WHOLE OR IN PART WITHOUT THE WRITTEN CONSENT OF NINGBO SHIP GROUP CABLE ASSEMBLY CO., LTD.

mm	TITLE	HDMI 19PIN AM/AM
SCALE	NONE	
SHEET	1/1	
DIMENSIONAL TOLERANCES UNLESS OTHERWISE NOTED		CUS. NAME
.X ±	.XX ±	CPC
.XXX ±	ANGLES ±	CUS. P/N
REV. 00	CUS. REV 00	SEE THE P/N CHART
		DRAWING NO.
		HFO445



CABLE ASSEMBLY CO., LTD.

ENG.	kevin	DATE	2011-02-18
CHECKED	sally	DATE	2011-02-18
APPROVED	sunny	DATE	2011-02-18

00	NEW ISSUE	2011-02-18
REV.	MODIFY DESCRIPTION	DATE