

iDrive2

AC Variable Speed General Purpose Drives

0.4 - 2.2kW



Affordable drives **evolved**

iDrive2 XKL Series

Ultra-low cost inverters
for small AC motors
0.4-2.2kW

- Compact
- Powerful
- User-friendly



iDrive2 XKL Series

If you are a machine builder looking for a high volume cost-effective solution, or an occasional user looking for a drive that is easy to set up, the iDrive2 is the ultimate variable speed drive for you!

iDrive2 is simple to commission using the detachable keypad. For volume users there is a free software package that will allow the bulk transfer of complete parameter sets.

A range of EMC filter options makes the iDrive2 suitable for virtually every industrial, commercial or domestic application.

- RS485/Modbus RTU built-in
- Up to 150% starting torque
- Detachable Keypad (with potentiometer)
- PID Control mode as standard
- Brake chopper built-in
- Easy to install
- Side by side mounting (fan cooled models)
- Simple Parameter menu
- Single Phase, 0.4kW~2.2kW
- Three Phase, 0.75kW~2.2kW
- 5 operation indication LEDs
- Temperature range -10°C ~ 50°C
- DC braking as standard
- Thermostatic cooling fan
- 0-10V & 0-20mA analog inputs
- 0-10V & 0-20mA analog output
- Drive mount filter option
- 4/5 Digital inputs
- Password function
- 2 year warranty
- RoHS compliant
- CE certified
- C2 & C3 Filter options
- Enclosure IP20

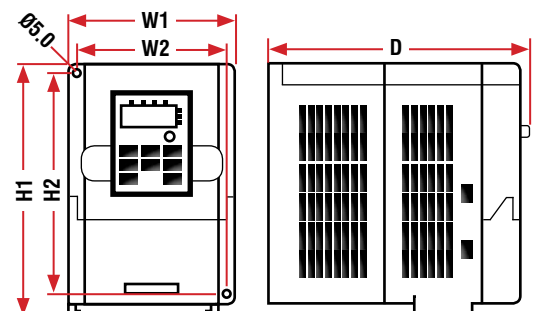


iDrive2 Specifications

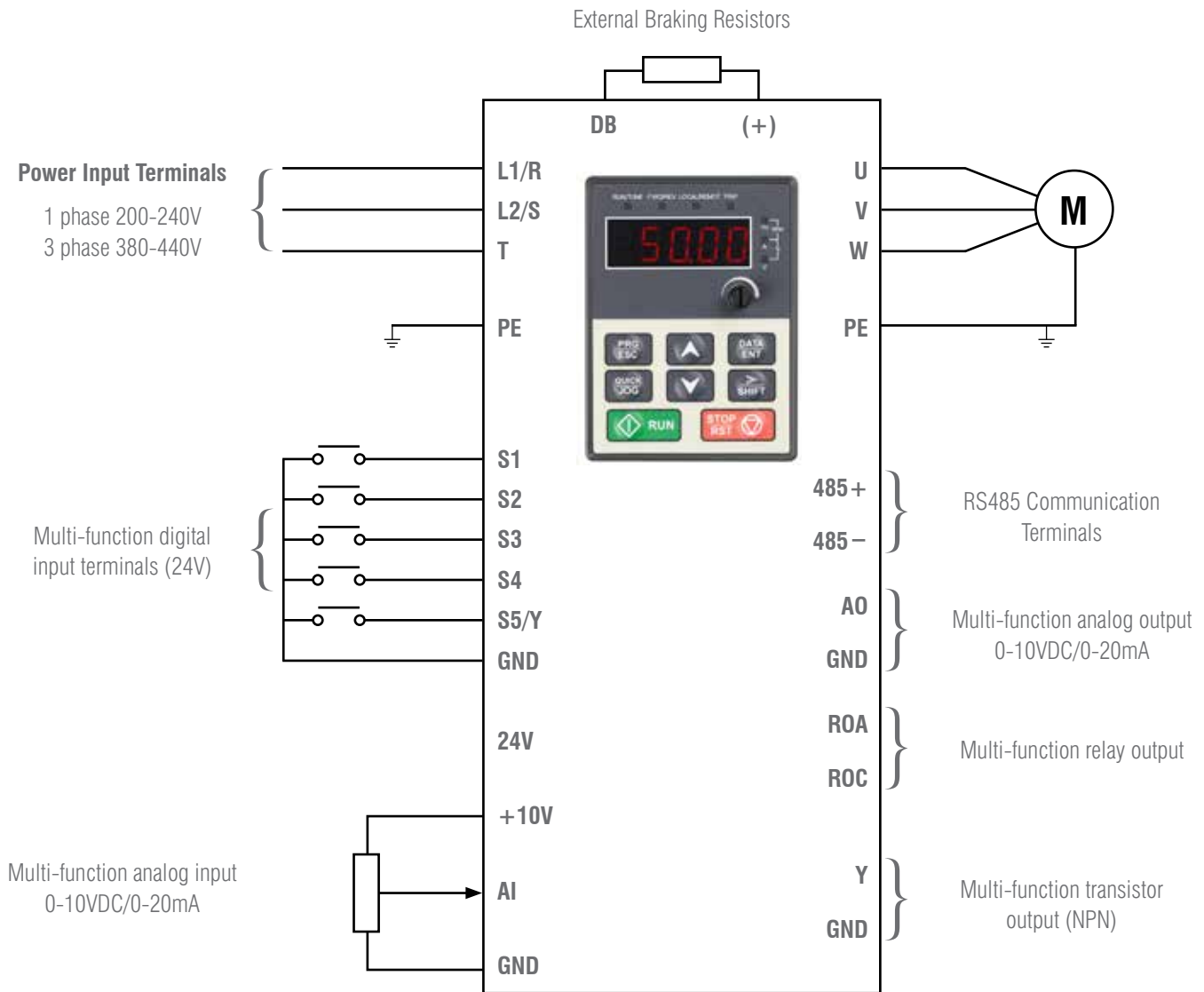
		Single Phase Input				Three Phase Input			
Inverter Type		XKL-040-21	XKL-075-21	XKL-150-21	XKL-220-21	XKL-075-43	XKL-150-43	XKL-220-43	
Output Ratings	Nominal Applied Motor	kW	0.4	0.75	1.5	2.2	0.75	1.5	2.2
	Rated Capacity	kVA	0.50	0.94	1.88	2.75	0.94	1.88	2.75
	Frequency	Hz	0-400				0-400		
	Rated Voltage	V	0 ~ Supply Voltage				0 ~ Supply Voltage		
	Rated Current	A	2.5	4.2	7.5	10	2.5	4.2	5.5
	Overload Capacity	A	150% of rated output current for 1 minute				150% of rated output current for 1 minute		
180% of rated output current for 10 seconds				180% of rated output current for 10 seconds					
200% of rated output current for 1 second				200% of rated output current for 1 second					
Input Ratings	Rated Current	A	6.5	9.3	15.7	24	3.2	4.3	7.1
	Rated Voltage	V	Single Phase 200-240V (-15%, +10%)				Three Phase 380-440V (-15%, +10%)		
	Frequency	Hz	47-63				47-63		
	MCCB Rating	A	16		25	50	10		16
	Contacting Rating	A	10	16		32	10		
	Fuse Rating	A	16		25	40	6	10	16
Cable Sizes	Mains Supply Cable	mm ²	1.5	1.5	2.5	2.5	1.5	2.5	2.5
	Motor Cable								
	Earth Cable								
	Braking Resistor Cable								
	Braking Resistor	Ω	42		30	21	100		54
		W	60	110	230	330	110	230	330
	Cooling Method		Natural Cooling		Fan Cooling		Natural Cooling	Fan Cooling	
	Enclosure	IP	IP20				IP20		
Weight	Kg	1.4	1.4	1.6	1.7	1.7	1.7	1.7	

Wall Mounting Dimensions (mm)

Model		W1	W2	H1	H2	D
Single-phase 230v	XKL-040-21	85.0	74.0	145.5	131.5	134.2
	XKL-075-21	85.0	74.0	145.5	131.5	134.2
	XKL-150-21	100.0	89.0	170.5	154.0	153.2
	XKL-220-21	100.0	89.0	170.5	154.0	153.2
Three-phase 400v	XKL-075-43	85.0	74.0	145.5	131.5	153.2
	XKL-150-43	100.0	89.0	170.5	154.0	153.2
	XKL-220-43	100.0	89.0	170.5	154.0	153.2



Power & Control Connections



iDrive2 Filters

Earth leakage currents are often problematic when using small drives, but not with the new XKL range. There are several filter options available to suit the environment in which the inverter will be installed, and all are low leakage designs.

Shown here are the low-cost clip-on C3, and the panel-mount C2, ultra low leakage filters designed to suit industrial environments.

If you want more information regarding EMC filtering, please contact the IMO technical team.



Options & Ordering Codes - iDrive2

XKL	—	150	—	21	
Nominal Power			Input Voltage		
0.4kW		40	21	Input 200-240V ~ Single Phase	
0.75kW		75	43	Input 380-440V ~ Three Phase	
1.5kW		150			
2.2kW		220			



Ordering Codes - Accessories

XKL-KP Additional Detachable Keypad



XKL-KP-MB Keypad Mounting Bracket

Options & Ordering Codes - Filters

iDrive2		C3 Filter	Current	C2 Filter	Current
Single-Phase 230V	XKL-040-21	RFC3-3S	3A	RF29A-1A	29A
	XKL-075-21	RFC3-3S	3A	RF29A-1A	29A
	XKL-150-21	RFC3-10S	10A	RF29A-1A	29A
	XKL-220-21	RFC3-10S	10A	RF29A-1A	29A
iDrive2		C3 Filter	Current	C2 Filter	Current
Three-Phase 400V	XKL-075-43	RFC3-6	6A	RF15A-4A	15A
	XKL-150-43	RFC3-6	6A	RF15A-4A	15A
	XKL-220-43	RFC3-6	6A	RF15A-4A	15A



Powerful, configurable and cost-effective

For single and three-phase applications up to 2.2kW, the iDrive2 is the ideal solution for a great variety of applications including Industrial, Commercial and Medical amongst others.

With a 2-year warranty, iDrive2 offers complete peace of mind.



IMO Worldwide Offices

IMO Precision Controls Limited

1000 North Circular Road
Staples Corner
London NW2 7JP
United Kingdom

Tel: 020 8452 6444
Fax: 020 8450 2274
Email: sales@imopc.com
Web: www.imopc.com

IMO Automazione

Via Ponte alle Mosse, 61
50144 Firenze (FI)
Italia

Tel: 800 930 872 (toll free)
Fax: 8000 452 6445
Email: sales@imopc.com
Web: www.imopc.it

IMO Russia

Office N° 4063
9, Zemlyanoy Val, 105064
Moscow
Russia

Tel: 8 800 100 8540 (toll free)
Fax: 8 800 100 8541
Email: sales@imopc.com
Web: www.imopc.com

IMO Jeambrun Automation SAS

Centre D'Affaires Rocroy
30, Rue de Rocroy
94100 Saint-Maur-Des-Fosses
France

Tel: 0800 912 712 (toll free)
Fax: 0145 134 737
Email: sales@imopc.com
Web: www.imojeambrun.fr

IMO Canada

Unit 32 - B - North
18 Stratheam Avenue, Brampton
Ontario L6T 4Y2
Canada

Tel: 905 799 9237 (local)
Fax: 905 799 0450
Email: sales@imopc.com
Web: www.imopc.com

IMO Pacific Pty Ltd

1/34 Fallon Road
Landsdale
Perth WA 6065
Australia

Tel: 08 9302 5246 (local)
Fax: 08 9303 9908
Email: sales@imopacific.com.au
Web: www.imopacific.com.au