

**PLEASE CHECK WWW.MOLEX.COM FOR LATEST PART INFORMATION**

**Part Number:** [0015040292](#)  
**Status:** **Active**  
**Description:** Universal Polarizing Key, Black

**Documents:**

[3D Model](#) [RoHS Certificate of Compliance \(PDF\)](#)  
[Drawing \(PDF\)](#)

**General**

Product Family	Accessories
Series	40713
Comments	Delivered on a Carrier With 20 Parts per Strip
Component Type	Polarizing Key
MolexKits	Yes
Product Name	MX-50™
UPC	800753605428

**Physical**

Circuits (Loaded)	1
Lock to Mating Part	No
Net Weight	0.001/g
Packaging Type	Bag

**Solder Process Data**

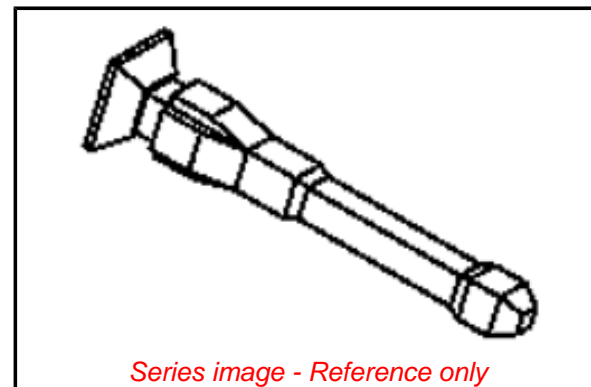
Lead-freeProcess Capability	N/A
-----------------------------	-----

**Material Info**

Old Part Number	40713-01
-----------------	----------

**Reference - Drawing Numbers**

Sales Drawing	SD-40713-**
---------------	-------------



**EU ELV**

**Not Relevant**

**EU RoHS**

**Compliant**

**REACH SVHC**

Contains SVHC(2014 December 17): No

**Halogen-Free**

**Status**

**Not Low-Halogen**

**Need more information on product environmental compliance?**

Email [productcompliance@molex.com](mailto:productcompliance@molex.com)  
Please visit the [Contact Us](#) section for any non-product compliance questions.

China ROHS  
ELV

**China RoHS**

Green Image  
Not Relevant

**Search Parts in this Series**

[40713 Series](#)

**Use With**

[70066 SL™](#) Crimp Housing. [70450 SL™](#) Crimp Housing. [70400 C-Grid SL™](#) IDT Connector Assembly. [70430 C-Grid SL™](#) . [71850 C-Grid®](#) Receptacle. [71395 C-Grid®](#) PCB Connector, [90142 C-Grid III™](#) Crimp Housing