

PLEASE CHECK WWW.MOLEX.COM FOR LATEST PART INFORMATION

Part Number: **0190190038**
Status: **Active**
Overview: Standard Quick-Disconnect Terminals
Description: Avikrimp™ Quick Disconnect, Female, for 10-12 (5.00-3.30mm²) Wire, Mylar Tape, Tab 6.35 x 0.81mm

Documents:

[Drawing \(PDF\)](#) [Product Specification PS-19902-015 \(PDF\)](#)
[Product Specification PS-19902-011 \(PDF\)](#) [RoHS Certificate of Compliance \(PDF\)](#)
[Product Specification PS-19902-014 \(PDF\)](#)

Agency Certification

CSA LR18689
 UL E79133

General

Product Family Quick Disconnects
 Series 19019
 Crimp Quality Equipment Yes
 Insulated Partial
 Overview Standard Quick-Disconnect Terminals
 Product Name Avikrimp™
 Type Quick Disconnect
 UPC 800753038356

Physical

Barrel Type Closed
 Color - Resin Yellow
 Flammability 94V-2
 Gender Female
 Glow-Wire Compliant No
 Insulation Nylon (PA)
 Lock to Mating Part None
 Material - Metal Brass
 Material - Plating Mating Tin
 Material - Plating Termination Tin
 Net Weight 1.671/g
 Orientation Straight
 Packaging Type Adhesive Tape on Reel
 Polarized to Mating Part No
 Tab Thickness 0.81mm
 Tab Width 6.35mm
 Temperature Range - Operating -65°C to +105°C
 Wire Insulation Diameter 5.70mm max.
 Wire Size AWG 10, 12
 Wire Size mm² 3.30 - 5.00

Electrical

Voltage - Maximum 300V

Solder Process Data

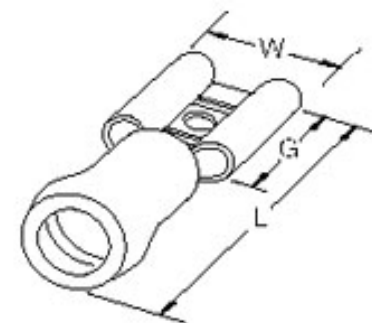
Lead-free Process Capability N/A

Material Info

Old Part Number C-8143T

Reference - Drawing Numbers

Product Specification PS-19902-011, PS-19902-014, PS-19902-015



Series image - Reference only

EU ELV

Not Relevant

EU RoHS

Compliant

REACH SVHC

Contains SVHC(2014 December 17): No

Halogen-Free

Status

Low-Halogen

Need more information on product environmental compliance?

Email productcompliance@molex.com
 Please visit the [Contact Us](#) section for any non-product compliance questions.

China ROHS

ELV

Green Image

Not Relevant

Search Parts in this Series

19019 Series

Application Tooling | FAQ

Tooling specifications and manuals are found by selecting the products below. Crimp Height Specifications are then contained in the Application Tooling Specification document.

Global

Description	Product #
ATP Crimp Dies for the Tape Crimp Module and ATP-101 & 301 Press	<u>0192880195</u>
Mini-Mac™ Applicator	<u>0638853200</u>

This document was generated on 06/24/2015

PLEASE CHECK WWW.MOLEX.COM FOR LATEST PART INFORMATION