

PLEASE CHECK WWW.MOLEX.COM FOR LATEST PART INFORMATION

Part Number: [0714362164](#)
Status: **Active**
Overview: PMC Mezzanine 1.00mm Pitch Connector
Description: 1.00mm Pitch Mezzanine IEEE 1386 Plug, Surface Mount, Dual Row, Vertical Stacking, 64 Circuits, 8.35mm Unmated Height, with PCB Locator Pegs, without Robotic Placement Metal Cap, 0.76µm Gold (Au) Selective Plating, Tube

Documents:

[3D Model](#) [Product Specification PS-71436-9999 \(PDF\)](#)
[Drawing \(PDF\)](#) [RoHS Certificate of Compliance \(PDF\)](#)

Agency Certification

CSA LR19980
 UL E29179

General

Product Family PCB Headers
 Series [71436](#)
 Application Board-to-Board, Signal
 MolexKits Yes
 Overview [PMC Mezzanine 1.00mm Pitch Connector](#)
 Product Name Mezzanine
 UPC 800753677814

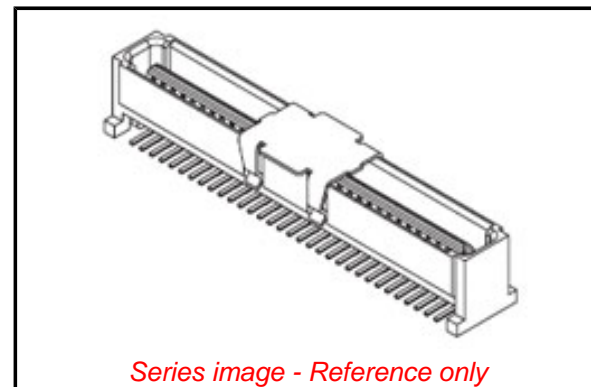
Physical

Breakaway No
 Circuits (Loaded) 64
 Circuits (maximum) 64
 Color - Resin Natural
 Flammability 94V-0
 Glow-Wire Compliant No
 Lock to Mating Part None
 Mated Height 10.00mm, 12.00mm, 13.00mm, 15.00mm
 Material - Metal Phosphor Bronze
 Material - Plating Mating Gold
 Material - Plating Termination Tin
 Material - Resin High Temperature Thermoplastic
 Net Weight 1.402/g
 Number of Rows 2
 Orientation Vertical
 PCB Locator Yes
 PCB Retention None
 PCB Thickness - Recommended 1.00mm
 Packaging Type Tube
 Pitch - Mating Interface 1.00mm
 Plating min - Mating 0.762µm
 Plating min - Termination 1.905µm
 Polarized to Mating Part No
 Shrouded Fully
 Stackable No
 Temperature Range - Operating -55°C to +85°C
 Termination Interface: Style Surface Mount

Electrical

Current - Maximum per Contact 1.0A
 Voltage - Maximum 100V

Solder Process Data



Series image - Reference only

EU ELV

Not Relevant

EU RoHS

Compliant

REACH SVHC

Contains SVHC(2014 December 17): No

Halogen-Free

Status

Low-Halogen

Need more information on product environmental compliance?

Email productcompliance@molex.com
 Please visit the [Contact Us](#) section for any non-product compliance questions.

China ROHS

ELV

Green Image

Not Relevant

Search Parts in this Series

[71436 Series](#)

Mates With

[71439](#) 1.00mm Pitch Mezzanine IEEE 1386 Receptacle. Be sure to match like stack heights

Duration at Max. Process Temperature (seconds)	040
Lead-freeProcess Capability	REFLOW
Max. Cycles at Max. Process Temperature	003
Process Temperature max. C	260

Material Info

Reference - Drawing Numbers

Product Specification	PS-71436-9999
Sales Drawing	SDA-71436-2***

This document was generated on 07/07/2015

PLEASE CHECK WWW.MOLEX.COM FOR LATEST PART INFORMATION