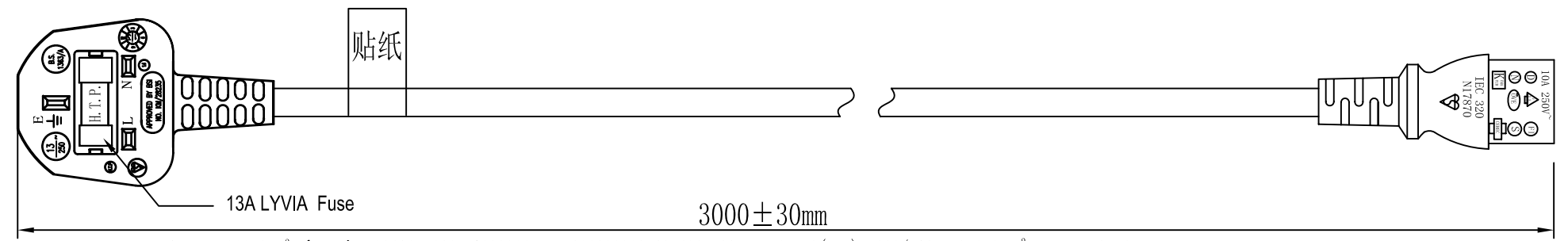
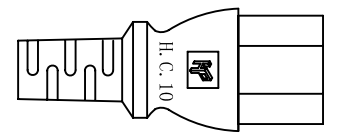
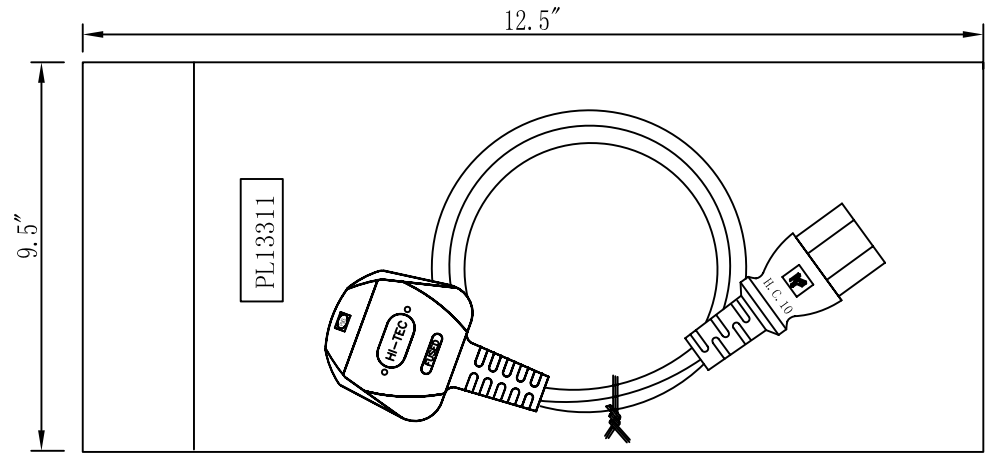
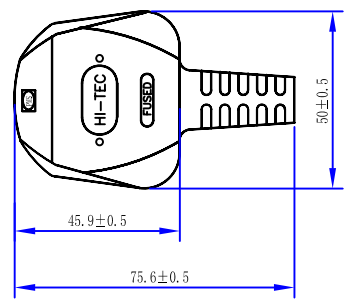


REVISION			
SYM	DESCRIPTION	DATE	APPROVAL

请确认后签回此图纸!



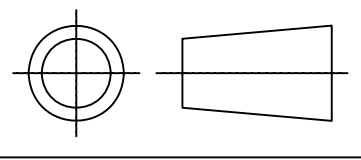
CABLE MARKING: H05VV-F 3G1.0mm² <VDE> N19626 CCC A030116 No.2003010105097406 227 IEC 53(RVV) 300/500V 3X1.0mm² HIGH PROJECT LF

CABLE COLOR: BLACK



UNLESS SPECIFIED ALL DIMENSIONS ARE IN MM TOLERANCE ON:
FRACTION: DECIMALS: +/-0.10 ANGLE:

SHEET:	1 OF 1	DWG SIZE:	A4
SCALE:	N. T. S	ISSUE NO:	A
DRAWER:	Seaman	DATE:	2013-10-9
REVIEW:		DATE:	
APPROVAL:		DATE:	



CUSTOMER NAME:		CUST PART NO:	PL13311
CUSTOMER ORDER NO:	---	DRAWING NO:	HP-B13-3AMVB-C10
QTY REQ'D PER UNIT:	1	MODEL NO:	HP-CPC-65