

Bus system flat-type plug - SACC-DSI-MSD-4CON-M12 SCO - 1551859

Please be informed that the data shown in this PDF Document is generated from our Online Catalog. Please find the complete data in the user's documentation. Our General Terms of Use for Downloads are valid (<http://phoenixcontact.com/download>)




Bus system flush-type plug, 4-pos., M12 SPEEDCON, D-coded, rear/screw mounting with M12 thread, with straight solder connection

Why buy this product



Key commercial data

Packing unit	20 pc
Minimum order quantity	20 pc
GTIN	 4 046356 161916
Weight per Piece (excluding packing)	8.3 g
Custom tariff number	85366990
Country of origin	Germany
Product key	ABQCAA
Note	Made to Order (non-returnable)

Technical data

Ambient conditions

Ambient temperature (operation)	-25 °C ... 85 °C (Plug / socket)
	-40 °C ... 85 °C (without mechanical actuation)
Degree of protection	IP67

General

Note	The electrical and mechanical data specified assume that the connector pair is correctly locked and mounted. If the connector is unlocked and if there is a danger of contamination, the connector must be sealed using a protective cap > IP54. Influences arising from litz wires, cables or PCB assembly must also be taken into consideration.
Rated current at 40°C	4 A
Rated voltage	250 V

Bus system flat-type plug - SACC-DSI-MSD-4CON-M12 SCO - 1551859

Technical data

General

Rated surge voltage	2.5 kV
Number of positions	4
Contact resistance	≤ 3 mΩ
Insulation resistance	≥ 100 MΩ
Coding	D - data
Standards/regulations	M12 connector IEC 61076-2-101
Status display	No
Surge voltage category	II
Pollution degree	3
Connection method	Solder pins
Insertion/withdrawal cycles	> 100
Torque	3 Nm ... 4 Nm (Installation-side)
Mounting type	Rear mounting M12 x 1 With locking nut

Material

Inflammability class according to UL 94	V0
Contact material	CuZn
Contact surface material	Au
Contact carrier material	PA 66
Material, knurls	Zinc die-cast, nickel-plated
Sealing material	NBR

Cable

Ambient temperature (operation)	-40 °C ... 85 °C (cable, fixed installation)
	-25 °C ... 85 °C (cable, flexible installation)

Classifications

eCl@ss

eCl@ss 4.0	27250313
eCl@ss 4.1	27250313
eCl@ss 5.0	27143423
eCl@ss 5.1	27143423
eCl@ss 6.0	27143423
eCl@ss 7.0	27449001
eCl@ss 8.0	27440103

ETIM

ETIM 3.0	EC002061
ETIM 4.0	EC000830
ETIM 5.0	EC002061

Bus system flat-type plug - SACC-DSI-MSD-4CON-M12 SCO - 1551859

Classifications

UNSPSC

UNSPSC 6.01	31261501
UNSPSC 7.0901	31261501
UNSPSC 11	31261501
UNSPSC 12.01	31261501
UNSPSC 13.2	31261501

Approvals

Approvals

Approvals

UL Recognized / EAC / cULus Recognized

Ex Approvals

Approvals submitted

Approval details

UL Recognized	
mm ² /AWG/kcmil	26-20
Nominal current I _N	4 A
Nominal voltage U _N	250 V

EAC

cULus Recognized	
mm ² /AWG/kcmil	20
Nominal current I _N	4 A
Nominal voltage U _N	250 V

Accessories

Accessories

Protective cap

Bus system flat-type plug - SACC-DSI-MSD-4CON-M12 SCO - 1551859

Accessories

Sealing cap - PROT-M12 FS - 1560251



M12 sealing cap for unoccupied M12 plugs of the sensor/actuator cable, flush-type plugs and I/O devices in the field

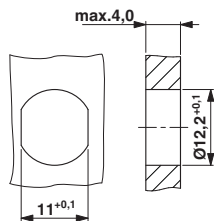
Sealing cap - PROT-M12 FS-M - 1430488



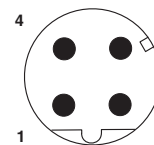
M12 metal sealing cap for unoccupied M12 plugs of the sensor/actuator cable, flush-type plugs and I/O devices in the field

Drawings

Dimensional drawing



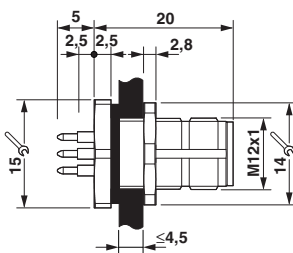
Schematic diagram



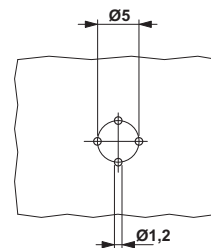
Pin assignment M12 male connector, 4-pos., D-coded, male side

Panel cutout

Dimensional drawing



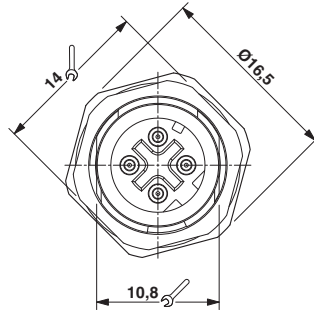
Drilling diagram



M12 flush-type connector

Bus system flat-type plug - SACC-DSI-MSD-4CON-M12 SCO - 1551859

Dimensional drawing



Front view of M12 flush-type connector

Phoenix Contact 2015 © - all rights reserved
<http://www.phoenixcontact.com>