

# Flush-type connector - SACC-CI-M12MSD-4CON-L90 SH SCO - 1436673

Please be informed that the data shown in this PDF Document is generated from our Online Catalog. Please find the complete data in the user's documentation. Our General Terms of Use for Downloads are valid (<http://phoenixcontact.com/download>)




Sensor/actuator flush-type connector, plug, 4-pos., D-coded, shielded, with angled solder connection, only contact insert

## Why buy this product



## Key commercial data

Packing unit	20 pc
Minimum order quantity	20 pc
GTIN	 4 046356 438742
Weight per Piece (excluding packing)	4.75 g
Custom tariff number	85366990
Country of origin	Germany
Product key	ABQCAC
Note	Made to Order (non-returnable)

## Technical data

### Ambient conditions

Ambient temperature (operation)	-25 °C ... 85 °C (Plug / socket)
	-40 °C ... 85 °C (without mechanical actuation)
Degree of protection	IP67

### General

Note	The electrical and mechanical data specified assume that the connector pair is correctly locked and mounted. If the connector is unlocked and if there is a danger of contamination, the connector must be sealed using a protective cap > IP54. Influences arising from litz wires, cables or PCB assembly must also be taken into consideration.
Rated current at 40°C	4 A

# Flush-type connector - SACC-CI-M12MSD-4CON-L90 SH SCO - 1436673

## Technical data

### General

Rated voltage	250 V
Rated surge voltage	2.5 kV
Number of positions	4
Contact resistance	≤ 3 mΩ
Insulation resistance	≥ 100 MΩ
Coding	D - data
Standards/regulations	M12 connector IEC 61076-2-101
Status display	No
Surge voltage category	II
Pollution degree	3
Connection method	Solder pins
Insertion/withdrawal cycles	> 100
Torque	3 Nm ... 4 Nm (Installation-side)
Mounting type	PCB mounting

### Material

Inflammability class according to UL 94	V0
Contact material	CuZn
Contact surface material	Au
Contact carrier material	PA 66
Sealing material	FKM / EPDM

### Cable

Ambient temperature (operation)	-40 °C ... 85 °C (cable, fixed installation)
	-25 °C ... 85 °C (cable, flexible installation)

## Classifications

### eCl@ss

eCl@ss 4.0	27060306
eCl@ss 4.1	27060306
eCl@ss 5.0	27061801
eCl@ss 5.1	27260701
eCl@ss 6.0	27279220
eCl@ss 7.0	27440103
eCl@ss 8.0	27440103

### ETIM

ETIM 3.0	EC002061
ETIM 4.0	EC002061
ETIM 5.0	EC002061

# Flush-type connector - SACC-CI-M12MSD-4CON-L90 SH SCO - 1436673

## Classifications

### UNSPSC

UNSPSC 6.01	31251501
UNSPSC 7.0901	31251501
UNSPSC 11	31251501
UNSPSC 12.01	31251501
UNSPSC 13.2	31251501

## Approvals

### Approvals

---

#### Approvals

UL Recognized / cUL Recognized / UL Recognized / EAC / cULus Recognized

---

#### Ex Approvals

---

#### Approvals submitted

---

## Approval details

UL Recognized	
mm <sup>2</sup> /AWG/kcmil	26-20
Nominal current I <sub>N</sub>	4 A
Nominal voltage U <sub>N</sub>	250 V

cUL Recognized	
mm <sup>2</sup> /AWG/kcmil	26-20
Nominal current I <sub>N</sub>	4 A
Nominal voltage U <sub>N</sub>	250 V

# Flush-type connector - SACC-CI-M12MSD-4CON-L90 SH SCO - 1436673

## Approvals

UL Recognized	
mm <sup>2</sup> /AWG/kcmil	26-20
Nominal current I <sub>N</sub>	4 A
Nominal voltage U <sub>N</sub>	250 V

EAC
-----

cULus Recognized
------------------

## Accessories

### Accessories

#### Panel mounting base

Housing screw connection - SACC-M12-SCO PLUG - 1551493



M12 SPEEDCON housing screw connection for M12 male inserts, with O-ring, for all SPEEDCON-capable THR and wave soldering contact carriers

Housing screw connection - SACC-DSIV-M12-PLUG - 1416145



Housing screw connection with M12 standard thread, with O-ring, for the two-piece straight M12 THR contact carrier and for the two-piece angled M12 contact carrier

Housing screw connection - SACC-M12-SCO PLUG L90 - 1436709



M12-SPEEDCON housing screw connection for M12 male inserts, with flat gasket, for all Speedcon-compatible THR and wave soldering contact carriers

## Flush-type connector - SACC-CI-M12MSD-4CON-L90 SH SCO - 1436673

### Accessories

Housing screw connection - SACC-BP-M-M12/M15-6-THR - 1413997



Housing screw connection, PlugLink:M12, Rear mounting, M15 x 1

---

Housing screw connection - SACC-BP-M-M12/M15-7-THR - 1413996



Housing screw connection, PlugLink:M12, Rear mounting, M15 x 1

---

Housing screw connection - SACC-BP-M-M12/M15-6-THR SCO - 1413999



Housing screw connection, PlugLink:M12-SPEEDCON, Rear mounting, M15 x 1

---

Housing screw connection - SACC-BP-M-M12/M15-7-THR SCO - 1413998



Housing screw connection, PlugLink:M12-SPEEDCON, Rear mounting, M15 x 1

---

Housing screw connection - SACC-M12 PLUG PRESS - 1437892



M12 pin, housing screw connection, press-in version, for all Speedcon-compatible THR and wave soldering contact carriers

---

### Protective cap

# Flush-type connector - SACC-CI-M12MSD-4CON-L90 SH SCO - 1436673

## Accessories

Sealing cap - PROT-M12 FS - 1560251



M12 sealing cap for unoccupied M12 plugs of the sensor/actuator cable, flush-type plugs and I/O devices in the field

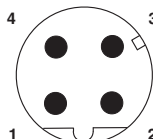
Sealing cap - PROT-M12 FS-M - 1430488



M12 metal sealing cap for unoccupied M12 plugs of the sensor/actuator cable, flush-type plugs and I/O devices in the field

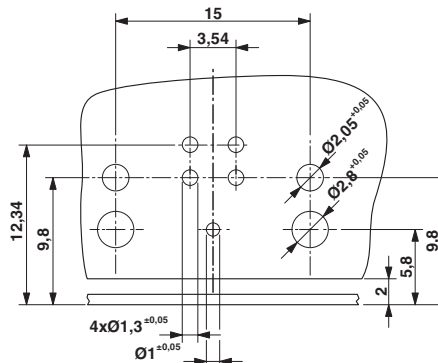
## Drawings

Schematic diagram



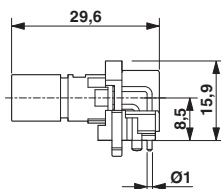
Pin assignment M12 male connector, 4-pos., D-coded, male side

Drilling diagram



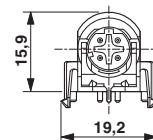
Drilling diagram only valid in connection with the SACC-M12-SCO PLUG L90 housing (order no. 1436709)

Dimensional drawing



M12 flush-type connector, plug, contact carrier, side view

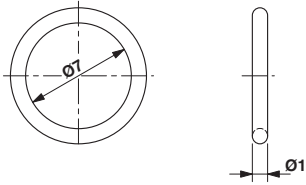
Dimensional drawing



M12 flush-type connector, plug, contact carrier, front view

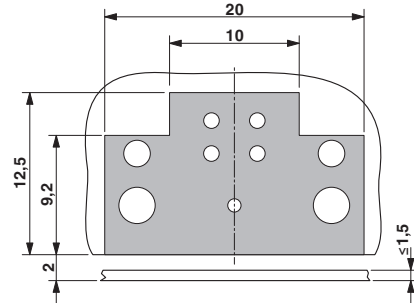
## Flush-type connector - SACC-CI-M12MSD-4CON-L90 SH SCO - 1436673

Dimensional drawing



Optionally with O-ring (green) for tight seal when plugged in.  
- the axial mating force of 80 N per connector may not be exceeded when using with assembled O-ring!  
- Avoid radial forces!

Dimensional drawing



Locked area on the PCB