

PLEASE CHECK WWW.MOLEX.COM FOR LATEST PART INFORMATION

Part Number: [0015244048](#)
Status: **Active**
Overview: Disk Drive Power Connector
Description: 5.08mm Pitch Disk Drive Power Connection System, Female Crimp Housing

Documents:

[3D Model](#) [Product Specification PS-8981-4M*/4P* \(PDF\)](#)
[Drawing \(PDF\)](#) [RoHS Certificate of Compliance \(PDF\)](#)

Agency Certification

CSA LR19980
 UL E29179

General

Product Family Crimp Housings
 Series [8981](#)
 Application Power
 MolexKits Yes
 Overview [Disk Drive Power Connector](#)
 Product Name Disk Drive Power
 UPC 800753643215

Physical

Circuits (maximum) 4
 Color - Resin Natural
 Flammability 94V-2
 Gender Female
 Glow-Wire Compliant No
 Material - Resin Nylon
 Net Weight 1.640/g
 Number of Rows 1
 Packaging Type Bag
 Panel Mount No
 Pitch - Mating Interface 5.08mm
 Temperature Range - Operating -10°C to +85°C

Solder Process Data

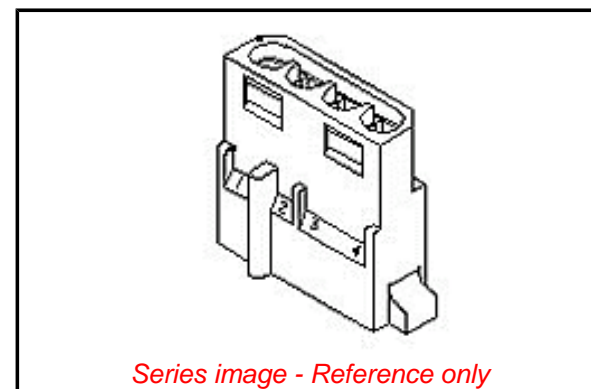
Lead-freeProcess Capability N/A

Material Info

Old Part Number 8981-4P

Reference - Drawing Numbers

Product Specification PS-8981-4M*/4P*, RPS-8980-002
 Sales Drawing SD-8981-4P



EU ELV

Not Relevant

EU RoHS

Compliant

China RoHS

REACH SVHC

Contains SVHC(17.
 December 2014): No

Halogen-Free

Status

Low-Halogen

Need more information on product environmental compliance?

Email productcompliance@molex.com
 Please visit the [Contact Us](#) section for any non-product compliance questions.

China ROHS

Green Image

ELV

Not Relevant

Search Parts in this Series

[8981](#) Series

Mates With

[8981](#) Disk Drive Power Connection System

Use With

[8980](#) Plug