
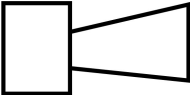




Acoustic device, 24 V, external actuation

Part no. SL7-AP24-E
Article no. 171284
Catalog No. SL7-AP24-E

Delivery programme

Product range			SL7 signal towers
Basic function			Acoustic module
Degree of Protection			IP66
Rated operational voltage	U_e	V	24 V AC/DC
Rated operational current	I_e	mA	92
Description			Continuous tone or pulsed tone, external actuation. Assigned two inputs (2 modules). Sound pressure 100 db, adjustable with internal potentiometer. $f = 2800$ Hz Place only at the highest position on a pole
Colour			
Function			
Connection to SmartWire-DT			no

Technical data

General			
Standards			IEC/EN 60947-5-1
Climatic proofing			Damp heat, constant, to IEC 60068-2-78 Damp heat, cyclic, to IEC 60069-2-30
Mounting position			As required
Mechanical shock resistance		g	> 15 according to IEC 60068-2-27 Shock duration 11 ms Sinusoidal
IEC degree of protection			IP66 IEC/EN 60529
Protection type UL			Type 4, 4X, 13
Material			Enclosure: Polycarbonate (PC), black Cap: Polycarbonate (PC)
Ambient temperature		°C	-30 - +60
Weight		g	102

Contacts

Rated impulse withstand voltage	U_{imp}	V AC	4000
Rated insulation voltage	U_i	V	250
Overtoltage category/pollution degree			III/3

modules

Leakage current		A	< 0.003										
Type of tone			Continuous or pulsed tone										
Types of sound			2 versions, table of sound types										
Sound setting			can be externally actuated										
Table of sound types			<p>Table of sound types</p> <table border="1"> <thead> <tr> <th>Sound type</th> <th>Frequency Diagram</th> <th>Repeat rate</th> <th>Special application</th> <th>Max. volume dB</th> </tr> </thead> <tbody> <tr> <td>SL7-AP...-E</td> <td>Continuous tone approx. 2800 Hz</td> <td>-</td> <td>-</td> <td>100</td> </tr> </tbody> </table>	Sound type	Frequency Diagram	Repeat rate	Special application	Max. volume dB	SL7-AP...-E	Continuous tone approx. 2800 Hz	-	-	100
Sound type	Frequency Diagram	Repeat rate	Special application	Max. volume dB									
SL7-AP...-E	Continuous tone approx. 2800 Hz	-	-	100									

			Pulsed tone	approx. 2800	_____	approx. 2 Hz	_____	100
Sound pressure		dB	100					
Sound pressure level adjustment			Built-in, potentiometer					
Sound_pressure_can_be_lowered_to_a_minimum_of			88 dB					
Transmission angle			360°					
Current-/power consumption								
24 V AC/DC		A	0.092					
Voltage levels			24 V AC/DC ± 10 %					

Design verification as per IEC/EN 61439

Technical data for design verification			
Operating ambient temperature min.		°C	-30
Operating ambient temperature max.		°C	60

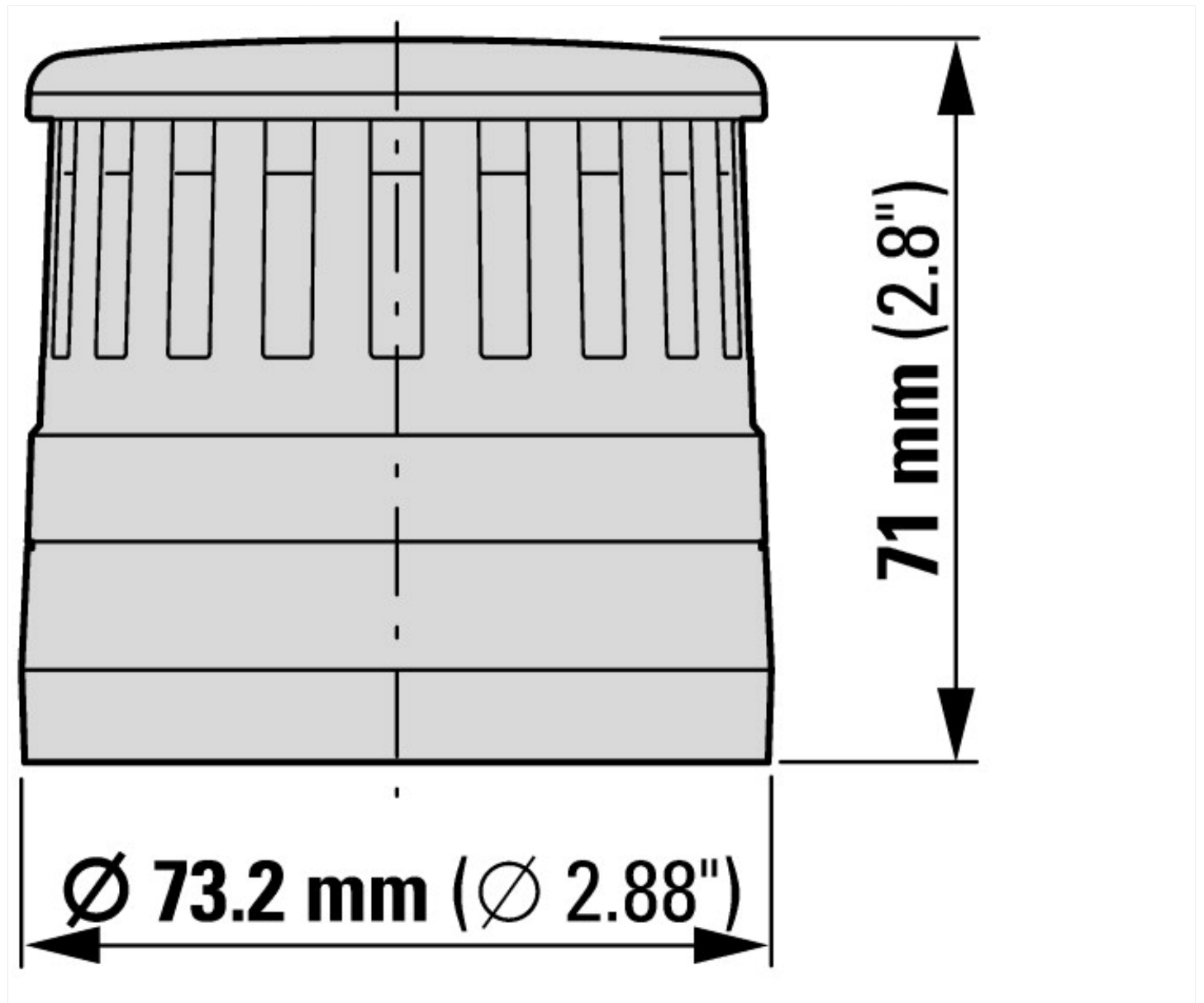
Technical data ETIM 5.0

Low-voltage industrial components (EG000017) / Acoustic module for signal tower (EC001261)			
Electric engineering, automation, process control engineering / Low-voltage switch technology / Command and alarm device / Signal column element, acoustic (ecl@ss8-27-37-12-37 [AKF055010])			
Function			Continuous tone/pulse tone
Outer diameter		mm	73
Degree of protection (IP)			IP66
Colour			Black
Operating voltage at AC 50 Hz		V	24 - 24
Operating voltage at AC 60 Hz		V	24 - 24
Operating voltage at DC		V	24 - 24
Voltage type			AC/DC
Tone adjustable			Yes

Approvals

Product Standards			IEC/EN 60947-5-1; UL 508; CSA-C22.2 No. 14-10; CSA-C22.2 No. 94-91; CE marking
UL File No.			E29184
UL Category Control No.			NKCR
CSA File No.			UL report applies to both US and Canada
CSA Class No.			NKCR7
North America Certification			UL listed, certified by UL for use in Canada
Degree of Protection			UL Type 4, 4X, 13

Dimensions



Additional product information (links)

IL047004ZU SL7 Light Modules, Tone Modules

IL047004ZU SL7 Light Modules, Tone Modules ftp://ftp.moeller.net/DOCUMENTATION/AWA_INSTRUCTIONS/IL047004ZU2013_02.pdf

IL047004ZU SL7, modules lumineux, modules sonores ftp://ftp.moeller.net/DOCUMENTATION/AWA_INSTRUCTIONS/IL047004ZU2013_02.pdf