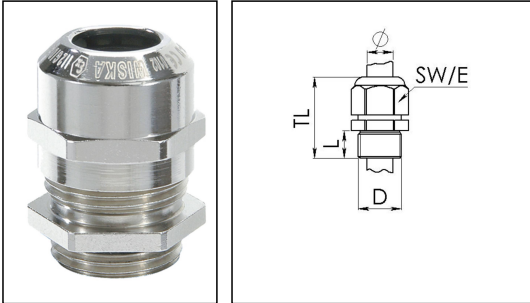


EMSKE 12

Ex-cable gland, brass with short thread



Product illustrations are exemplary and may differ from the chosen product. Further variants and individual customization, we will gladly provide you on request.



Material cable gland	Brass nickel-plated
Material clamping cage	Polyamide
Material sealing gasket	EPDM
Temp. range min	-40 °C
Temp. range max	75 °C
Protection class	IP 66 / IP 68, 5 bar 30 min
Marking	II 2 G Ex e IIC Gb, II 2 D Ex tb IIIC Db IP68
Approval	IECEX PTB 13.0027X, PTB 04 ATEX 1112 X
Thread type	M
Connection thread size D	12
Lead	1,5
Length screw-in thread L	5 mm
Cable diameter min	4 mm
Cable diameter max	7 mm
Cable Diameter UL	4,1 mm - 6 mm
Key width SW	16 mm
Collar diameter (E)	18 mm
Total length TL	23 mm - 30 mm
Install. torques fitting	4 N/m
Install. torques cap nut	4 N/m
Type of cable anchorage	A
Impact category	6
Surface	Nickel-plated
Order no. nickel-plated	10065040
Type	EMSKE 12

Packing unit

50

ETIM-Classification

EC000441

24.07.2015

