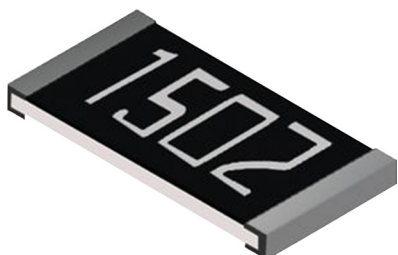


Thin Film Passivated NiCr Resistor



RoHS
Compliant

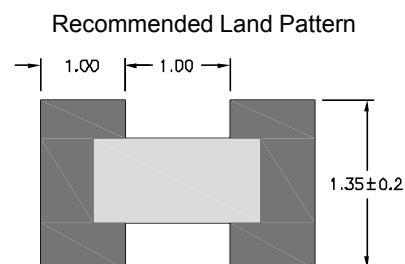
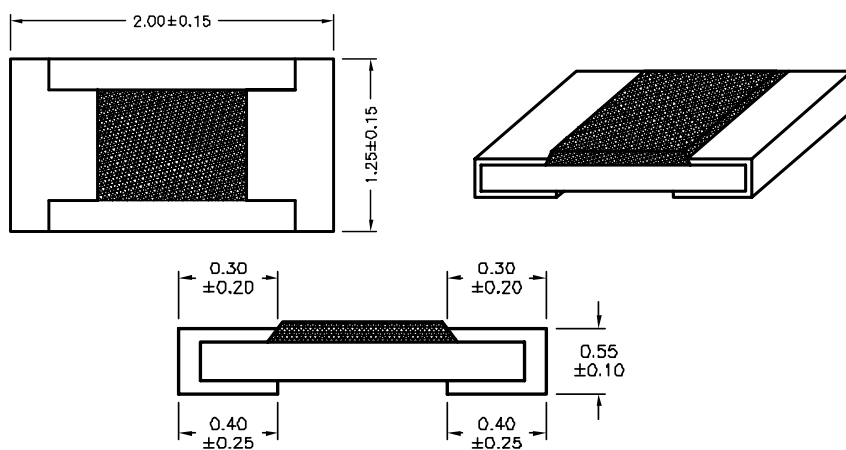


Features:

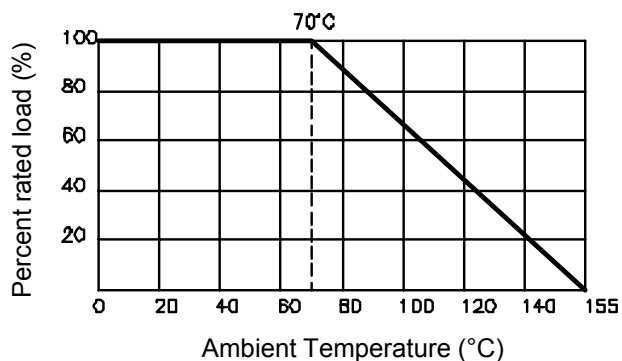
- Thin Film Passivated NiCr Resistor
- Very Tight Tolerance from $\pm 0.01\%$ to 1%
- Wide R-Value Range

Specifications

Voltage Rating	: 50V to 100V
Resistor Element Material	: Thin Film
Power Rating	: 1/10W
Operating Temp. Range	: -55°C to $+155^{\circ}\text{C}$
Max. Overloading Voltage	: 200V
TCR (PPM/ $^{\circ}\text{C}$)	: ± 10



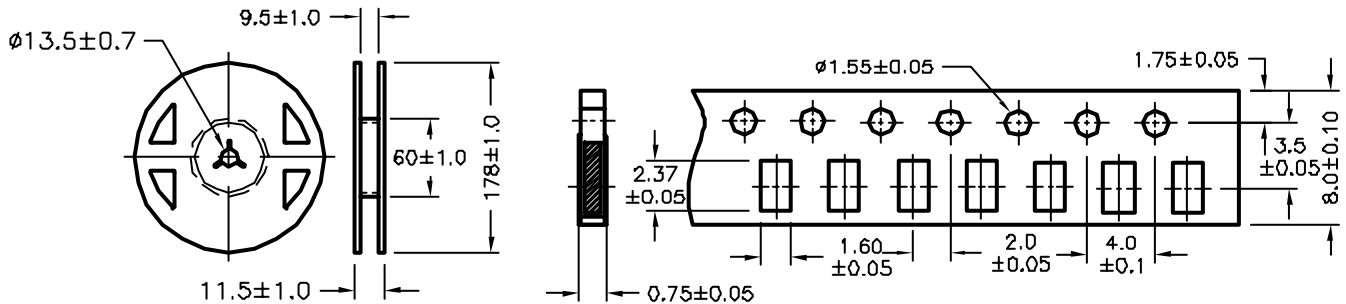
Dimensions : Millimetres



Thin Film Passivated NiCr Resistor



Tape & Reel Dimension



Dimensions : Millimetres

Part Number Table

Description	Resistance	Voltage Range	Unit of Measure	Quantity	Part Number
Thin Film precision Resistor, EIA Size 0805, 1/10 Watt	100Ω	100V	TR/TC	Spool of 5,000/ Ea.	MCTF0805BTC1000
	1kΩ	100V	TR/TC	Spool of 5,000/ Ea.	MCTF0805BTC1001
	10kΩ	100V	TR/TC	Spool of 5,000/ Ea.	MCTF0805BTC1002
	100kΩ	100V	TR/TC	Spool of 5,000/ Ea.	MCTF0805BTC1003
	1MΩ	100V	TR/TC	Spool of 5,000/ Ea.	MCTF0805BTC1004
	12kΩ	100V	TR/TC	Spool of 5,000/ Ea.	MCTF0805BTC1202
	1.5kΩ	100V	TR/TC	Spool of 5,000/ Ea.	MCTF0805BTC1501
	15kΩ	100V	TR/TC	Spool of 5,000/ Ea.	MCTF0805BTC1502
	15kΩ	100V	TR/TC	Spool of 5,000/ Ea.	MCTF0805BTC1503
	2kΩ	100V	TR/TC	Spool of 5,000/ Ea.	MCTF0805BTC2001
	20kΩ	100V	TR/TC	Spool of 5,000/ Ea.	MCTF0805BTC2002
	200kΩ	100V	TR/TC	Spool of 5,000/ Ea.	MCTF0805BTC2003
	3kΩ	100V	TR/TC	Spool of 5,000/ Ea.	MCTF0805BTC3001
	4.99kΩ	100V	TR/TC	Spool of 5,000/ Ea.	MCTF0805BTC4991
	49.9kΩ	100V	TR/TC	Spool of 5,000/ Ea.	MCTF0805BTC4992
	100Ω	100V	TR/TC	Spool of 5,000/ Ea.	MCTF0805DTC1000
	1kΩ	100V	TR/TC	Spool of 5,000/ Ea.	MCTF0805DTC1001
	10kΩ	100V	TR/TC	Spool of 5,000/ Ea.	MCTF0805DTC1002
	100kΩ	100V	TR/TC	Spool of 5,000/ Ea.	MCTF0805DTC1003
	2kΩ	100V	TR/TC	Spool of 5,000/ Ea.	MCTF0805DTC2001
	49.9Ω	100V	TR/TC	Spool of 5,000/ Ea.	MCTF0805DTC49R9
	12kΩ	100V	Tape & Reel	Spool of 1,000	MCTF0805ATX1202
	1.5kΩ	100V	Tape & Reel	Spool of 1,000	MCTF0805ATX1501
	15kΩ	100V	Tape & Reel	Spool of 1,000	MCTF0805ATX1502
150kΩ	100V	Tape & Reel	Spool of 1,000	MCTF0805ATX1503	



Thin Film Passivated NiCr Resistor



Description	Resistance	Voltage Range	Unit of Measure	Quantity	Part Number
Thin Film precision Resistor, EIA Size 0805, 1/10 Watt	20kΩ	100V	Tape & Reel	Spool of 1,000	MCTF0805ATX2002
	200kΩ	100V	Tape & Reel	Spool of 1,000	MCTF0805ATX2003
	3kΩ	100V	Tape & Reel	Spool of 1,000	MCTF0805ATX3001
	499Ω	50V	Tape & Reel	Spool of 1,000	MCTF0805ATX499
	75Ω	100V	Tape & Reel	Spool of 1,000	MCTF0805ATX750
	12kΩ	100V	Tape & Reel	Spool of 1,000	MCTF0805ATY1202
	150kΩ	100V	Tape & Reel	Spool of 1,000	MCTF0805ATY1503
	2kΩ	100V	Tape & Reel	Spool of 1,000	MCTF0805ATY2001
	20kΩ	100V	Tape & Reel	Spool of 1,000	MCTF0805ATY2002
	200kΩ	100V	Tape & Reel	Spool of 1,000	MCTF0805ATY2003
	49.9Ω	100V	Tape & Reel	Spool of 1,000	MCTF0805ATY499
	4.99kΩ	100V	Tape & Reel	Spool of 1,000	MCTF0805ATY4991
	49.9kΩ	100V	Tape & Reel	Spool of 1,000	MCTF0805ATY4992
	12kΩ	100V	Tape & Reel	Spool of 1,000	MCTF0805ATZ1202
	15kΩ	100V	Tape & Reel	Spool of 1,000	MCTF0805ATZ1502
	2kΩ	100V	Tape & Reel	Spool of 1,000	MCTF0805ATZ2001
	20kΩ	100V	Tape & Reel	Spool of 1,000	MCTF0805ATZ2002
	49.9Ω	50V	Tape & Reel	Spool of 1,000	MCTF0805ATZ499
	100Ω	100V	Tape & Reel	Spool of 1,000	MCTF0805TTX1000
	1kΩ	100V	Tape & Reel	Spool of 1,000	MCTF0805TTX1001
	10kΩ	100V	Tape & Reel	Spool of 1,000	MCTF0805TTX1002
	100kΩ	100V	Tape & Reel	Spool of 1,000	MCTF0805TTX1003
	100Ω	100V	Tape & Reel	Spool of 1,000	MCTF0805TTY1000
	1kΩ	100V	Tape & Reel	Spool of 1,000	MCTF0805TTY1001
	10kΩ	100V	Tape & Reel	Spool of 1,000	MCTF0805TTY1002
	100kΩ	100V	Tape & Reel	Spool of 1,000	MCTF0805TTY1003
	100Ω	100V	Tape & Reel	Spool of 1,000	MCTF0805TTZ1000
	1kΩ	100V	Tape & Reel	Spool of 1,000	MCTF0805TTZ1001

Important Notice : This data sheet and its contents (the "Information") belong to the members of the Premier Farnell group of companies (the "Group") or are licensed to it. No licence is granted for the use of it other than for information purposes in connection with the products to which it relates. No licence of any intellectual property rights is granted. The Information is subject to change without notice and replaces all data sheets previously supplied. The Information supplied is believed to be accurate but the Group assumes no responsibility for its accuracy or completeness, any error in or omission from it or for any use made of it. Users of this data sheet should check for themselves the Information and the suitability of the products for their purpose and not make any assumptions based on information included or omitted. Liability for loss or damage resulting from any reliance on the Information or use of it (including liability resulting from negligence or where the Group was aware of the possibility of such loss or damage arising) is excluded. This will not operate to limit or restrict the Group's liability for death or personal injury resulting from its negligence. Multicomp is the registered trademark of the Group. © Premier Farnell plc 2012.

