

**PLEASE CHECK WWW.MOLEX.COM FOR LATEST PART INFORMATION**

**Part Number:** **0539275019**  
**Status:** **Active**  
**Overview:** CompactFlash™  
**Description:** 1.27mm Pitch CF Card Header - Right Angle, Surface Mount Reverse Mounting For Type I Cards, Tray Packaging

**Documents:**

[3D Model](#) [Product Specification PS-55022-004 \(PDF\)](#)  
[Drawing \(PDF\)](#) [RoHS Certificate of Compliance \(PDF\)](#)

**General**

Product Family	Memory Card Sockets
Series	53927
Component Type	Header/Socket (Host)
Overview	CompactFlash™
Product Name	CompactFlash
Style	Guide and Holder
Type	I
UPC	822348186747

**Physical**

Card Detection Switch	N/A
Circuits (Loaded)	50
Color - Resin	Natural
Durability (mating cycles max)	10,000
Ejector Button	No
Ejector Button Side	N/A
Entry Angle	90° Angle (Side Entry)
Keying to Mating Part	Yes
Material - Metal	Phosphor Bronze
Material - Resin	High Temperature Thermoplastic
Net Weight	3292.000/mg
PCB Mounting Side	Reverse
PCB Retention	Yes
Packaging Type	Tray
Pitch - Mating Interface	1.27mm
Ports	1
Temperature Range - Operating	-20°C to +90°C
Termination Interface: Style	Surface Mount

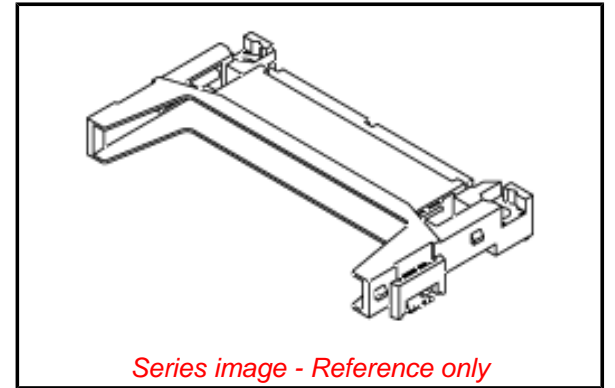
**Electrical**

Current - Maximum per Contact	0.5A
Voltage - Maximum	100V AC
Voltage Key	3.3V, 5.0V

**Material Info**

**Reference - Drawing Numbers**

Product Specification	PS-55022-004
Sales Drawing	SD-53927-001



*Series image - Reference only*

**EU ELV**

**Not Relevant**

**EU RoHS**

**Compliant**

**REACH SVHC**

Contains SVHC(2014 December 17): No

**Halogen-Free**

**Status**

**Low-Halogen**

**Need more information on product environmental compliance?**

Email [productcompliance@molex.com](mailto:productcompliance@molex.com)  
Please visit the [Contact Us](#) section for any non-product compliance questions.

China ROHS

ELV

Green Image

Not Relevant

**Search Parts in this Series**

[53927](#) Series

**Mates With**

[67003](#) , [67114](#) , Industry Standard CF Card

**Use With**

[55021](#) , [55022](#)