

PLEASE CHECK WWW.MOLEX.COM FOR LATEST PART INFORMATION

Part Number: [0874380243](#)
Status: **Active**
Overview: Pico-SPOX™ Wire-to-Board Connector System
Description: 1.50mm Pitch Pico-SPOX™ Wire-to-Board Header, Surface Mount, Right Angle, Shrouded, 2 Circuits, Embossed Tape on Reel, Beige

Documents:

[3D Model](#) [Packaging Specification SPK-87438-001 \(PDF\)](#)
[Drawing \(PDF\)](#) [RoHS Certificate of Compliance \(PDF\)](#)
[Product Specification PS-87437-001 \(PDF\)](#)

Agency Certification

UL E29179

General

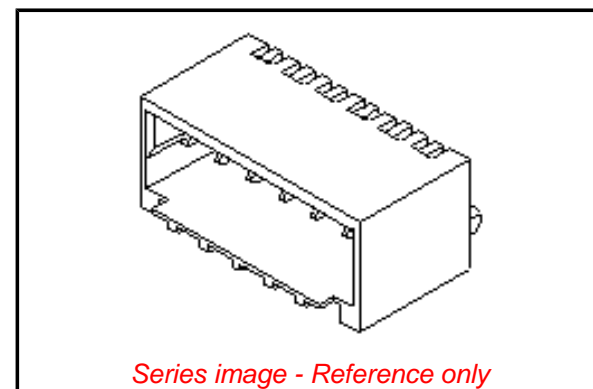
Product Family PCB Headers
 Series [87438](#)
 Application Signal, Wire-to-Board
 MolexKits Yes
 Overview [Pico-SPOX™ Wire-to-Board Connector System](#)
 Product Name Pico-SPOX™
 UPC 822348438877

Physical

Breakaway No
 Circuits (Loaded) 2
 Circuits (maximum) 2
 Color - Resin Beige
 Durability (mating cycles max) 10
 First Mate / Last Break No
 Flammability 94V-0
 Glow-Wire Compliant No
 Guide to Mating Part No
 Keying to Mating Part Yes
 Lock to Mating Part Yes
 Material - Metal Brass
 Material - Plating Mating Tin over Nickel
 Material - Plating Termination Tin over Nickel
 Material - Resin High Temperature Thermoplastic
 Net Weight 135.000/mg
 Number of Rows 1
 Orientation Right Angle
 PCB Locator No
 PCB Retention None
 Packaging Type Embossed Tape on Reel
 Pitch - Mating Interface 1.50mm
 Plating min - Mating 2.540µm
 Plating min - Termination 2.540µm
 Polarized to Mating Part Yes
 Polarized to PCB No
 Shrouded Fully
 Stackable No
 Temperature Range - Operating -55°C to +105°C
 Termination Interface: Style Surface Mount

Electrical

Current - Maximum per Contact 2.5A



Series image - Reference only

EU ELV

Not Relevant

EU RoHS

Compliant

REACH SVHC

Contains SVHC(2014 December 17): No

Halogen-Free

Status

Not Low-Halogen

Need more information on product environmental compliance?

Email productcompliance@molex.com
 Please visit the [Contact Us](#) section for any non-product compliance questions.

China ROHS

ELV

Green Image

Not Relevant

Search Parts in this Series

[87438](#) Series

Mates With

[87439](#) Pico-SPOX™ Wire-to-Board Housing

Use With

[87421](#) 1.50mm Pico-SPOX™ Crimp Terminal

Voltage - Maximum

250V

Material Info

Reference - Drawing Numbers

Packaging Specification

SPK-87438-001

Product Specification

PS-87437-001, RPS-87437, RPS-87437-001,

RPS-87437-200

Sales Drawing

SD-87438-001

This document was generated on 06/23/2015

PLEASE CHECK WWW.MOLEX.COM FOR LATEST PART INFORMATION