

PRODUCTS IN THE RANGE

- KZ 04
- KZ 05
- KZ 06

To NF C 93-523 French specification

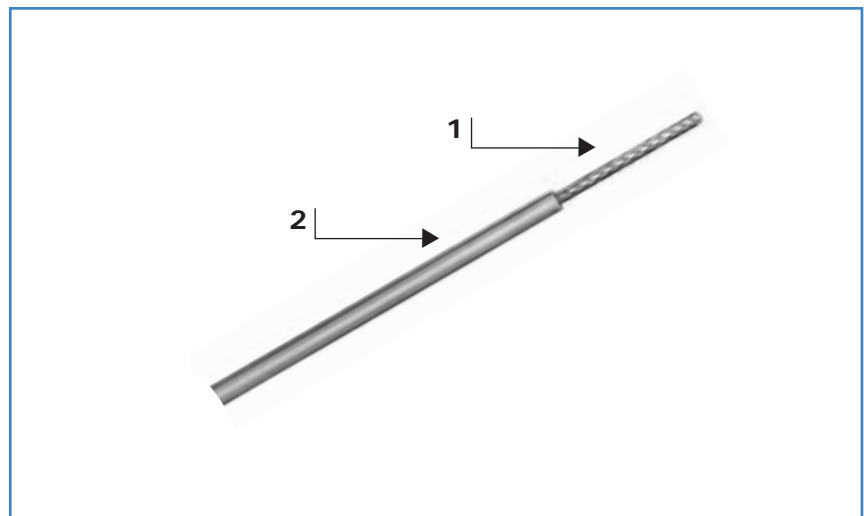
- Operating voltage: 250 Volts
- Operating temperature: - 55°C up to + 200°C
(ambient temperature + rise)

Main characteristics:

- Applications:
 - Internal wiring in electronic equipment.
 - Aircrafts and satellites.
- Operating frequency: up to 2 000 Hz.
- Excellent chemical resistance.
- They are fire retardant (to NFC 32070/C1 French specification).

CONSTRUCTION

- 1- CONDUCTOR:
stranded silvered copper wires
- 2- INSULATION:
extruded polytetrafluorethylene (P.T.F.E.) (radial thickness according to the gauges: from 0,15 mm up to 0,18 mm)



UNSCREENED HOOK-UP WIRES

Reference FILOTEX	CONDUCTOR				D.C. resist. at 20°C (Ohm/Km) maxi.	Overall diameter		Maximum weight Kg/Km
	Gauge AWG	Cross section mm ²	Construction (n x Ø mm)	Nom. Ø mm		mini.	maxi.	
						mm		
KZ 04 – 01	32	0,035	7 x 0.08	0.24	546	0.48	0.58	0.95
KZ 04 – 02	30	0,055	7 x 0.10	0.30	349	0.56	0.66	1.3
KZ 04 – 03	28	0,093	7 x 0.13	0.39	201	0.63	0.73	1.75
KZ 04 – 04	26	0,14	7 x 0.16	0.48	132	0.74	0.84	2.4
KZ 04 – 05	24	0,22	7 x 0.20	0.60	86	0.86	0.96	3.4
KZ 04 – 06	22	0,34	7 x 0.25	0.75	54.4	1.01	1.11	5.0
KZ 04 – 07	20	0,60	19 x 0.20	1.00	31.3	1.30	1.40	8.25