

PRODUCTS IN THE RANGE

- KZ 04
- **KZ 05**
- KZ 06

To NF C 93-523 French specification

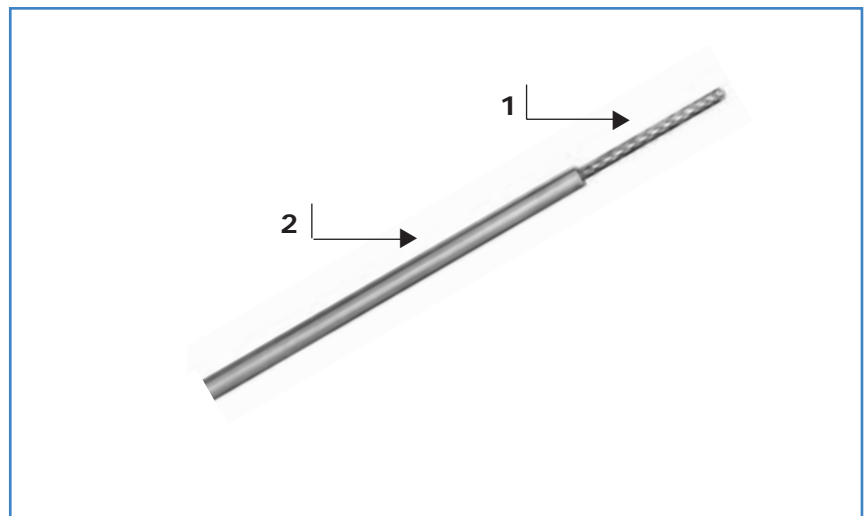
- Operating voltage: 600 Volts
- Operating temperature: - 55°C up to + 200°C
(ambient temperature + rise)

Main characteristics:

- Applications:
 - Internal wiring in electronic equipment.
 - Aircrafts and satellites.
- Operating frequency: up to 2 000 Hz.
- Excellent chemical resistance.
- They are fire retardant (to NFC 32070/C1 French specification).

CONSTRUCTION

- 1- CONDUCTOR:
stranded silvered copper wires
- 2- INSULATION:
extruded polytetrafluorethylene (P.T.F.E.) (radial thickness according to the gauges: from 0,25 mm up to 0,30 mm)



UNSCREENED HOOK-UP WIRES

Reference FILOTEX	CONDUCTOR				D.C. resist. at 20°C (Ohms/Km)	Overall diameter		Maximum weight Kg / Km
	Gauge AWG	Cross section mm ²	Construction n x Ø mm	Nom. Ø mm		mini.	maxi.	
					mm			
KZ 05 – 01	32	0,035	7 x 0.08	0.24	546	0.63	0.84	1.65
KZ 05 – 02	30	0,055	7 x 0.10	0.30	349	0.71	0.91	2.1
KZ 05 – 03	28	0,093	7 x 0.13	0.39	201	0.79	1.00	2.6
KZ 05 – 04	26	0,14	7 x 0.16	0.48	132	0.89	1.10	3.4
KZ 05 – 05	24	0,22	7 x 0.20	0.60	86	1.04	1.22	4.5
KZ 05 – 06	22	0,34	7 x 0.25	0.75	54.4	1.17	1.37	6.2
KZ 05 – 07	20	0,60	19 x 0.20	1.00	31.3	1.42	1.62	9.5
KZ 05 – 08	18	0,93	19 x 0.25	1.25	20.5	1.67	1.92	14.1
KZ 05 – 09	16	1.34	19 x 0.30	1.50	13.9	1.92	2.27	20.0
KZ 05 – 10	14	1.91	27 x 0.30	1.85	10.0	2.30	2.66	27.0
KZ 05 – 11	12	3.18	45 x 0.30	2.45	6.0	2.89	3.24	42.5