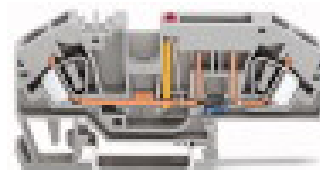


Printview: 2-conductor fuse terminal block for mini-automotive blade-style fuses; with test option; 24 V; with blown fuse indication by led; Power consumption LED: 4.8 mA - Item No.: 282-698/281-413

**WAGO**® online catalog / eShop

**2-conductor fuse terminal block for mini-automotive blade-style fuses; with test option; 24 V; with blown fuse indication by led; Power consumption LED: 4.8 mA**

Item No.: 282-698/281-413



2-conductor fuse terminal block for mini-automotive blade-style fuses; with test option; 24 V; with blown fuse indication by led; Power consumption LED: 4.8 mA

### Marking

RoHS ✓  
Compliant

### Business data

Supplier	WAGO
Item no.	282-698/281-413
GTIN / EAN	4050821234555
Content	1
Order amount	25
Customer item number	

### Notes

Safety information 1: Both nominal voltage and current are given by the LED or fuse. Safety information 2: Blade-style fuses, please note touchproof protection for 42V and higher.

### Technical data

#### Miscellaneous

Total number of connection points	2
Total number of potentials	2
Color	gray
Pollution degree (1)	3
Rated voltage EN (1) [V]	400 [V]
Rated surge voltage (1) [kV]	6 [kV]
Nominal current [A]	25 [A]

Technical data	
Nominal current (2) [A]	30 [A]
Connection technology (1)	CAGE CLAMP®
Solid sizes 1	0.2 ... 6 mm <sup>2</sup> / 24 ... 10 AWG
Fine-stranded wires 1	0.2 ... 6 mm <sup>2</sup> / 24 ... 10 AWG
Strip length 1	12 ... 13 mm / 0.47 ... 0.51 in
Type of wiring	Front-entry wiring
Design	angled
Marking level	Center marking
Insulating material	PA 6.6 V0
Fire load [MJ]	0.301 [MJ]
Weight [g]	17.626 [g]
Width	8 mm / 0.315 in
Height from upper-edge of DIN-rail	33.5 mm / 1.319 in
Length	85 mm / 3.346 in
Type of mounting	DIN 35 rail

Approbation					
Item No.	Registration	Registration no.	Voltage [V]	Current [A]	Cross section [mm <sup>2</sup> , AWG]
282-698/281-413	UL	E45172	24	30	24-10

## Accessories

Push-in type wire jumper		
Item no.	Description	Pack. unit (Sub Pack)
210-103	Wire commoning chain; insulated; 50 connections	1
210-123	Wire commoning chain; insulated; 50 connections	1
709-110	Wire commoning chain; insulated; 4 connections; 3 x 110 mm	1
709-112	Wire commoning chain; insulated; 3 connections; 2 x 170 mm	1
709-111	Wire commoning chain; insulated; 3 connections; 2 x 120 mm	1

## Accessories

### Jumper

Item no.	Description	Pack. unit (Sub Pack)
282-409	Alternate jumper; insulated; nominal current 41 A	25
282-424	Adjacent jumper; insulated; nominal current 41 A	25
282-402	Adjacent jumper; insulated; nominal current 41 A	25

### End plate

Item no.	Description	Pack. unit (Sub Pack)
282-333	End plate; 2 mm thick	25
282-334	End plate; 2 mm thick	25

### Carrier rail

Item no.	Description	Pack. unit (Sub Pack)
210-112	Steel carrier rail; 35 x 7.5 mm; 1 mm thick; 2 m long; slotted; according to en 60715; "Hole width 25 mm	1
210-113	Steel carrier rail; 35 x 7.5 mm; 1 mm thick; 2 m long; unslotted; according to en 60715	1
210-114	Steel carrier rail; 35 x 15 mm; 1.5 mm thick; 2 m long; unslotted; according to en 60715	1
210-115	Steel carrier rail; 35 x 7.5 mm; 1 mm thick; 2 m long; slotted; according to en 60715; "Hole width 18 mm	1
210-118	Steel carrier rail; 35 x 15 mm; 2.3 mm thick; 2 m long; unslotted; according to en 60715	1
210-196	Aluminum carrier rail; 35 x 8.2 mm; 1.6 mm thick; 2 m long; unslotted; according to en 60715	1
210-197	Steel carrier rail; 35 x 15 mm; 1.5 mm thick; 2 m long; slotted; according to en 60715	1
210-198	Copper carrier rail; 35 x 15 mm; 2.3 mm thick; 2 m long; unslotted; according to en 60715	1
210-504	Steel carrier rail; 35 x 7.5 mm; 1 mm thick; 2 m long; slotted; galvanized; according to EN 60715	1
210-505	Steel carrier rail; 35 x 7.5 mm; 1 mm thick; 2 m long; unslotted; galvanized; according to EN 60715	1
210-506	Steel carrier rail; 35 x 15 mm; 1.5 mm thick; 2 m long; unslotted; galvanized; ähnlich EN 60715	1
210-508	Steel carrier rail; 35 x 15 mm; 1.5 mm thick; 2 m long; slotted; galvanized; ähnlich EN 60715	1

## Accessories

### Marking accessories

Item no.	Description	Pack. unit (Sub Pack)
209-501	WSB quick marking system; plain; for terminal block width 5 - 17.5 mm; 10 strips with 10 markers per card	5
793-501	WMB Multi marking system; plain; for terminal block width 5 - 17.5 mm; 10 strips with 10 markers per card	5
793-5501	WMB Multi marking system; plain; for terminal block width 5 - 17.5 mm; stretchable 5 - 5.2 mm; 10 strips with 10 markers per card	5
209-501/000-002	WSB quick marking system; plain; for terminal block width 5 - 17.5 mm; 10 strips with 10 markers per card	5
209-501/000-005	WSB quick marking system; plain; for terminal block width 5 - 17.5 mm; 10 strips with 10 markers per card	5
209-501/000-006	WSB quick marking system; plain; for terminal block width 5 - 17.5 mm; 10 strips with 10 markers per card	5
209-501/000-007	WSB quick marking system; plain; for terminal block width 5 - 17.5 mm; 10 strips with 10 markers per card	5
209-501/000-012	WSB quick marking system; plain; for terminal block width 5 - 17.5 mm; 10 strips with 10 markers per card	5
209-501/000-017	WSB quick marking system; plain; for terminal block width 5 - 17.5 mm; 10 strips with 10 markers per card	5
209-501/000-023	WSB quick marking system; plain; for terminal block width 5 - 17.5 mm; 10 strips with 10 markers per card	5
209-501/000-024	WSB quick marking system; plain; for terminal block width 5 - 17.5 mm; 10 strips with 10 markers per card	5
793-501/000-006	WMB Multi marking system; plain; for terminal block width 5 - 17.5 mm; 10 strips with 10 markers per card	5
793-501/000-005	WMB Multi marking system; plain; for terminal block width 5 - 17.5 mm; 10 strips with 10 markers per card	5
793-501/000-002	WMB Multi marking system; plain; for terminal block width 5 - 17.5 mm; 10 strips with 10 markers per card	5
793-501/000-007	WMB Multi marking system; plain; for terminal block width 5 - 17.5 mm; 10 strips with 10 markers per card	5
793-501/000-012	WMB Multi marking system; plain; for terminal block width 5 - 17.5 mm; 10 strips with 10 markers per card	5
793-501/000-017	WMB Multi marking system; plain; for terminal block width 5 - 17.5 mm; 10 strips with 10 markers per card	5

### Accessories

793-501/000-023	WMB Multi marking system; plain; for terminal block width 5 - 17.5 mm; 10 strips with 10 markers per card	5
793-501/000-024	WMB Multi marking system; plain; for terminal block width 5 - 17.5 mm; 10 strips with 10 markers per card	5
793-5501/000-002	WMB Multi marking system; plain; for terminal block width 5 - 17.5 mm; stretchable 5 - 5.2 mm; 10 strips with 10 markers per card	5
793-5501/000-005	WMB Multi marking system; plain; for terminal block width 5 - 17.5 mm; stretchable 5 - 5.2 mm; 10 strips with 10 markers per card	5
793-5501/000-006	WMB Multi marking system; plain; for terminal block width 5 - 17.5 mm; stretchable 5 - 5.2 mm; 10 strips with 10 markers per card	5
793-5501/000-007	WMB Multi marking system; plain; for terminal block width 5 - 17.5 mm; stretchable 5 - 5.2 mm; 10 strips with 10 markers per card	5
793-5501/000-012	WMB Multi marking system; plain; for terminal block width 5 - 17.5 mm; stretchable 5 - 5.2 mm; 10 strips with 10 markers per card	5
793-5501/000-017	WMB Multi marking system; plain; for terminal block width 5 - 17.5 mm; stretchable 5 - 5.2 mm; 10 strips with 10 markers per card	5
793-5501/000-023	WMB Multi marking system; plain; for terminal block width 5 - 17.5 mm; stretchable 5 - 5.2 mm; 10 strips with 10 markers per card	5
793-5501/000-024	WMB Multi marking system; plain; for terminal block width 5 - 17.5 mm; stretchable 5 - 5.2 mm; 10 strips with 10 markers per card	5

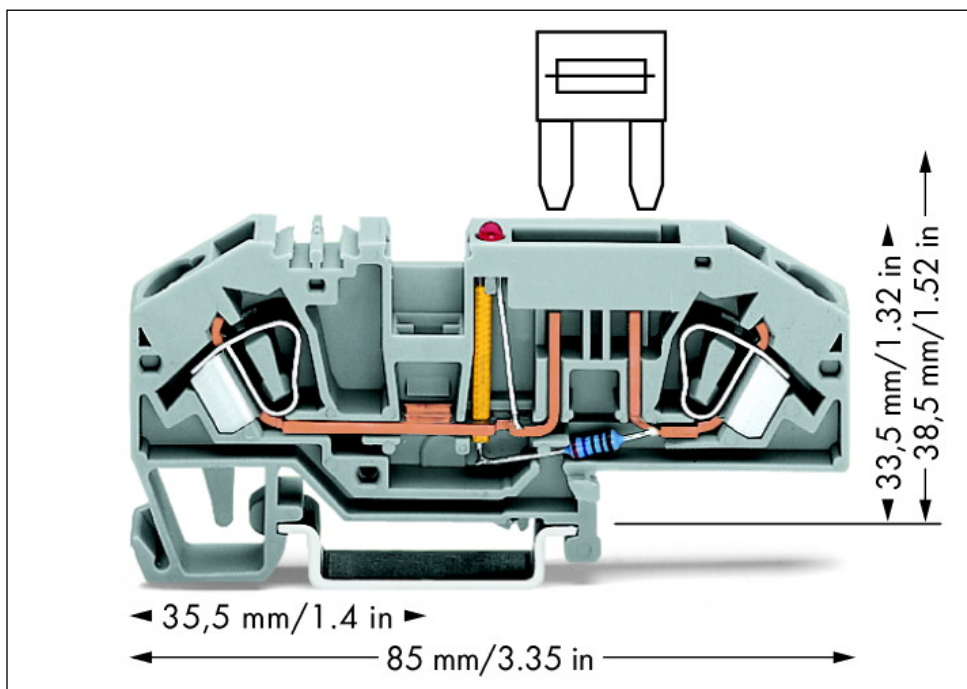
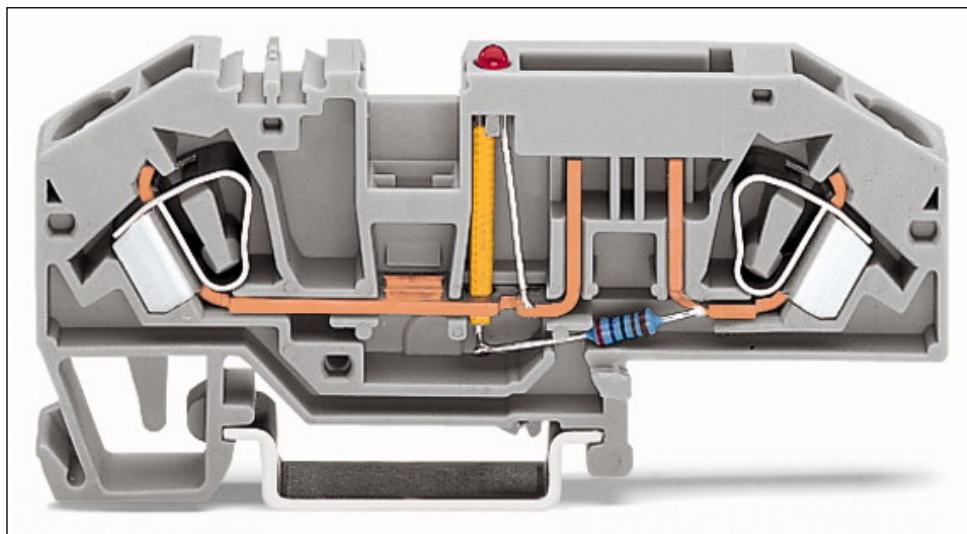
### Protective warning marker

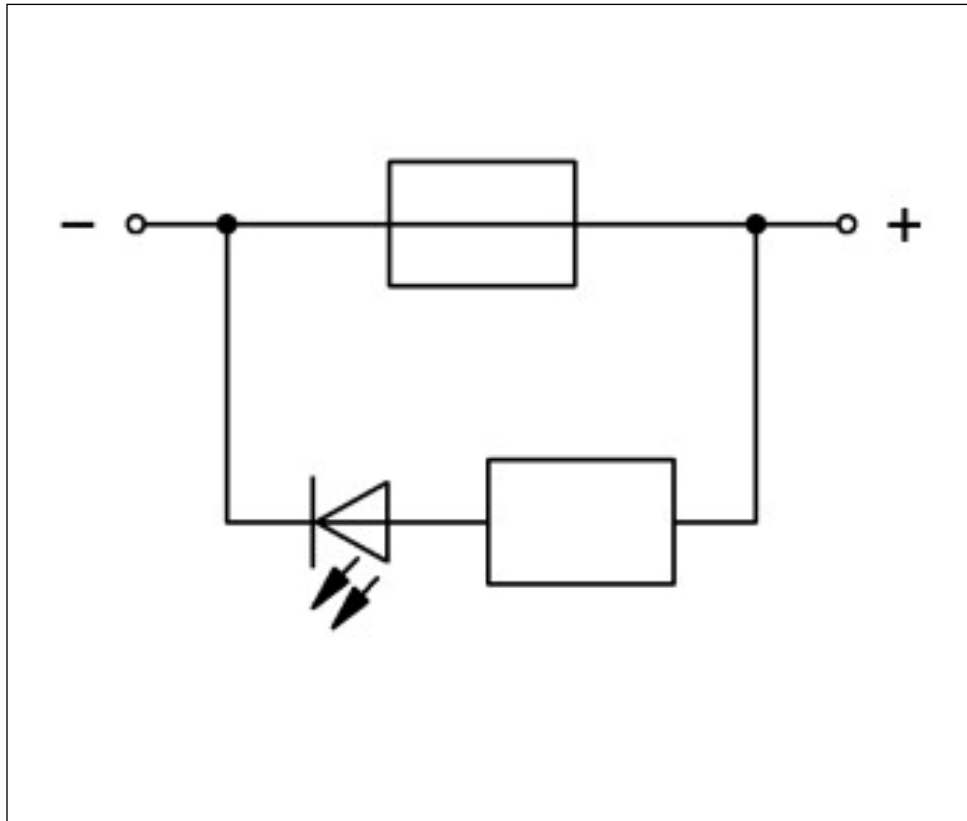
Item no.	Description	Pack. unit (Sub Pack)
282-415	Protective warning marker; with high-voltage symbol, black; for 5 terminal blocks	25

### General accessory

Item no.	Description	Pack. unit (Sub Pack)
210-183	Stickers for operating instructions; for front-entry rail-mounted terminal blocks, angled type; 280 and 281, 780 to 784 Series	100
210-549	Spare knurled nut; for cover	25
210-721	Operating tool with partially insulated shaft; Type 3, blade (5.5 x 0.8) mm; suitable for 282, 283, 284, 285, 782, 783, 784, 785, 2006, 2010 and 2016 Series	1
709-154	Cover; type 2; suitable for cover carrier, type 2; 1 m long	1
209-170	Test plug adapter; 8.3 mm wide; for test plug 4 mm Ø; suitable for 1.5 mm <sup>2</sup> ... 10 mm <sup>2</sup> terminal blocks	25
209-196	Spare fixing/retaining screw; for cover	25

Images & drawings





#### Address

WAGO Kontakttechnik GmbH & Co. KG

Hansastr. 27

32423 Minden

Telefon: 0571/887-0

Fax: 0571/887-169

<http://www.wago.com>

© WAGO Kontakttechnik GmbH & Co. KG

Technische Änderungen und Irrtümer vorbehalten.