


CAMBLOCK

5mm Pitch Standard Rising Clamp Terminal

- 2-12 pole interlocking
- Professional rising clamp terminals
- Moulded in green UL94-V0 Flame retardant PA66
- 0.32-3.3 mm² (22-12 AWG)
- Guided pin alignment
-  approved

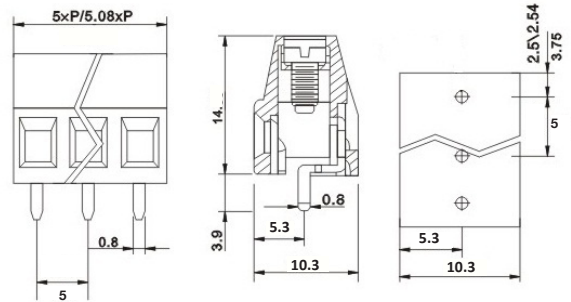
CTB0102




TYPE NO.	POLES	LENGTH
CTB0102/2	2	10mm
CTB0102/3	3	15mm
CTB0102/4	4	20mm
CTB0102/5	5	25mm
CTB0102/6	6	30mm
CTB0102/7	7	35mm
CTB0102/8	8	40mm
CTB0102/9	9	45mm
CTB0102/10	10	50mm
CTB0102/11	11	55mm
CTB0102/12	12	60mm

SPECIFICATION

Rating	10A/300V
Insulation resistance	5000MΩ/1000V
Withstand Voltage	AC1500V/1min
Contact Resistance	20mΩ (max)
Working Temperature	-33°C to 120+°C
Mouldings	UL94-V0 Flame retardant PA66
Screw/Torque	M2.5 Steel, Nickel Plated 0.4Nm
Recommended PCB hole size	ø1.5mm



5mm Pitch Low Profile Rising Clamp Terminal

- 2-12 pole double Interlocking mechanism for increased strength
- 4-12 pole solid block and end stackable
- Moulded in green UL94-V0 flame retardant PA66
- Professional rising clamp terminals
- 0.33-3.3mm² (22-12AWG) solid cable/ stranded cable
- Captive screw
-  approved

CTB0502



TYPE NO.	POLES	LENGTH
CTB0502/2	2	10mm
CTB0502/3	3	15mm
CTB0502/4	4	20mm
CTB0502/5	5	25mm
CTB0502/6	6	30mm
CTB0502/7	7	35mm
CTB0502/8	8	40mm
CTB0502/9	9	45mm
CTB0502/10	10	50mm
CTB0502/11	11	55mm
CTB0502/12	12	60mm

SPECIFICATION

Rating	10A/300V
Insulation resistance	5000MΩ/1000V
Withstand Voltage	AC1500V/1min
Contact Resistance	20mΩ (max)
Working Temperature	-33°C to 120+°C
Mouldings	UL94-V0 Flame retardant PA66
Screw/Torque	M2.5 Steel, Nickel Plated 0.4Nm
Recommended PCB hole size	ø1.4mm

