


# CAMBLOCK

## 7.5mm Pitch Standard Profile Rising Clamp Terminal

- 2 & 3 pole double interlocking mechanism for increased strength
- 4-12 solid block end stackable
- Moulded in green UL94-V0 flame retardant PA66
- Professional rising clamp terminals
- 0.33-3.3 mm<sup>2</sup> (22-12 AWG)
- Guided pin alignment
- Captive screw
-  us approved

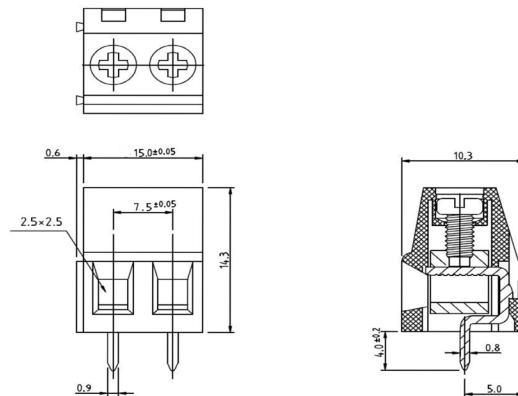
CTB0112



TYPE NO.	POLES	LENGTH
CTB0112/2	2	15mm
CTB0112/3	3	22.5mm
CTB0112/4	4	30mm
CTB0112/5	5	37.5mm
CTB0112/6	6	45mm
CTB0112/7	7	52.5mm
CTB0112/8	8	60mm
CTB0112/9	9	67.5mm
CTB0112/10	10	75mm
CTB0112/11	11	82.5mm
CTB0112/12	12	90mm

### SPECIFICATION

Rating	10A 300V
Insulation resistance	5000M $\Omega$ /1000V
Withstand Voltage	AC1500V/1min
Contact Resistance	20m $\Omega$
Working Temperature	-33°C to +120°C
Mouldings	UL94-V0 flame retardant PA66
Pin/Terminal	Tin plated brass
Wire clamp	Nickel plated brass
Screw/Torque	M2.5 Steel, Nickel Plated 0.4Nm
Recommended PCB hole size	$\phi$ 1.5mm



PCB  
TERMINAL  
BLOCKS