

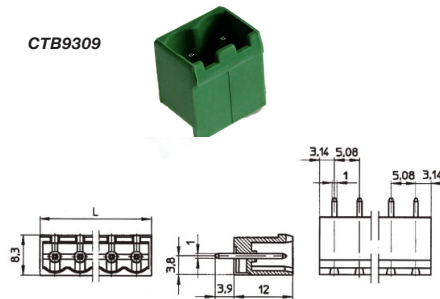
CAMBLOCK

PCB mounting male vertical (closed end)

TYPE NO.	POLES	LENGTH
CTB9309/2	2	11.4mm
CTB9309/3	3	16.4mm
CTB9309/4	4	21.5mm
CTB9309/5	5	26.6mm
CTB9309/6	6	31.7mm
CTB9309/7	7	36.78mm
CTB9309/8	8	41.8mm
CTB9309/9	9	46.9mm
CTB9309/10	10	52mm
CTB9309/11	11	57.1mm
CTB9309/12	12	67.2mm
CTB9309/13	13	67.2mm

TYPE NO.	POLES	LENGTH
CTB9309/14	14	72.3mm
CTB9309/15	15	77.4mm
CTB9309/16	16	82.5mm
CTB9309/17	17	87.6mm
CTB9309/18	18	92.6mm
CTB9309/19	19	97.7mm
CTB9309/20	20	102.8mm
CTB9309/21	21	107.9mm
CTB9309/22	22	113mm
CTB9309/23	23	118mm
CTB9309/24	24	123.1mm

CTB9309



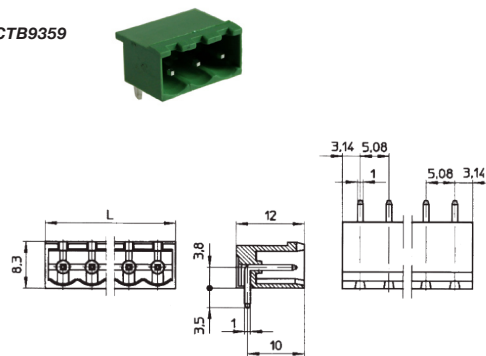
PCB
TERMINAL
BLOCKS

PCB mounting male horizontal (closed end)

TYPE NO.	POLES	LENGTH
CTB9359/2	2	11.4mm
CTB9359/3	3	16.4mm
CTB9359/4	4	21.5mm
CTB9359/5	5	26.6mm
CTB9359/6	6	31.7mm
CTB9359/7	7	36.78mm
CTB9359/8	8	41.8mm
CTB9359/9	9	46.9mm
CTB9359/10	10	52mm
CTB9359/11	11	57.1mm
CTB9359/12	12	67.2mm
CTB9359/13	13	67.2mm

TYPE NO.	POLES	LENGTH
CTB9359/14	14	72.3mm
CTB9359/15	15	77.4mm
CTB9359/16	16	82.5mm
CTB9359/17	17	87.6mm
CTB9359/18	18	92.6mm
CTB9359/19	19	97.7mm
CTB9359/20	20	102.8mm
CTB9359/21	21	107.9mm
CTB9359/22	22	113mm
CTB9359/23	23	118mm
CTB9359/24	24	123.1mm

CTB9359



PCB mounting male vertical (open ended)

TYPE NO.	POLES	LENGTH
CTB9309/2AO	2	10.2mm
CTB9309/3AO	3	15.2mm
CTB9309/4AO	4	20.3mm
CTB9309/5AO	5	25.4mm
CTB9309/6AO	6	30.5mm
CTB9309/7AO	7	35.6mm
CTB9309/8AO	8	40.6mm
CTB9309/9AO	9	45.7mm
CTB9309/10AO	10	50.8mm
CTB9309/11AO	11	55.9mm
CTB9309/12AO	12	61mm
CTB9309/13AO	13	66mm

TYPE NO.	POLES	LENGTH
CTB9309/14AO	14	71.1mm
CTB9309/15AO	15	76.2mm
CTB9309/16AO	16	81.3mm
CTB9309/17AO	17	86.4mm
CTB9309/18AO	18	91.4mm
CTB9309/19AO	19	96.5mm
CTB9309/20AO	20	101.6mm
CTB9309/21AO	21	106.7mm
CTB9309/22AO	22	111.7mm
CTB9309/23AO	23	116.8mm
CTB9309/24AO	24	121.9mm

CTB9309/AO

