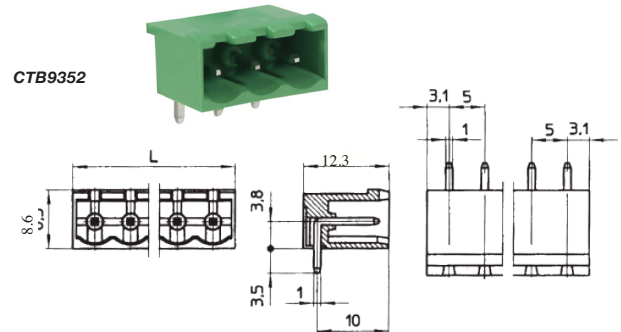


# CAMBLOCK

## PCB mounting male horizontal (closed ended)

TYPE NO.	POLES	LENGTH	TYPE NO.	POLES	LENGTH
CTB9352/2	2	11.2mm	CTB9352/14	14	71.2mm
CTB9352/3	3	16.2mm	CTB9352/15	15	76.2mm
CTB9352/4	4	21.2mm	CTB9352/16	16	81.2mm
CTB9352/5	5	26.2mm	CTB9352/17	17	86.2mm
CTB9352/6	6	31.2mm	CTB9352/18	18	91.2mm
CTB9352/7	7	36.2mm	CTB9352/19	19	96.2mm
CTB9352/8	8	41.2mm	CTB9352/20	20	101.2mm
CTB9352/9	9	46.2mm	CTB9352/21	21	106.2mm
CTB9352/10	10	51.2mm	CTB9352/22	22	111.2mm
CTB9352/11	11	56.2	CTB9352/23	23	116.2mm
CTB9352/12	12	61.2mm	CTB9352/24	24	121.2mm
CTB9352/13	13	66.2mm			



## PCB mounting male horizontal (open ended)

TYPE NO.	POLES	LENGTH	TYPE NO.	POLES	LENGTH
CTB9352/2AO	2	10mm	CTB9352/14AO	14	70mm
CTB9352/3AO	3	15mm	CTB9352/15AO	15	75mm
CTB9352/4AO	4	20mm	CTB9352/16AO	16	80mm
CTB9352/5AO	5	25mm	CTB9352/17AO	17	85mm
CTB9352/6AO	6	30mm	CTB9352/18AO	18	90mm
CTB9352/7AO	7	35mm	CTB9352/19AO	19	95mm
CTB9352/8AO	8	40mm	CTB9352/20AO	20	100mm
CTB9352/9AO	9	45mm	CTB9352/21AO	21	105mm
CTB9352/10AO	10	50mm	CTB9352/22AO	22	110mm
CTB9352/11AO	11	55mm	CTB9352/23AO	23	115mm
CTB9352/12AO	12	60mm	CTB9352/24AO	24	120mm
CTB9352/13AO	13	65mm			

