



## CY15FRAMKIT-001

# Serial F-RAM™ Development Kit Guide

Doc. No. 001-95689 Rev.\*A

Cypress Semiconductor  
198 Champion Court  
San Jose, CA 95134 USA  
Phone (USA): +1.800.858.1810  
Phone (Intl): +1.408.943.2600  
[www.cypress.com](http://www.cypress.com)

**Copyrights**

© Cypress Semiconductor Corporation, 2015. The information contained herein is subject to change without notice. Cypress Semiconductor Corporation assumes no responsibility for the use of any circuitry other than circuitry embodied in a Cypress product. Nor does it convey or imply any license under patent or other rights. Cypress products are not warranted nor intended to be used for medical, life support, life saving, critical control or safety applications, unless pursuant to an express written agreement with Cypress. Furthermore, Cypress does not authorize its products for use as critical components in life-support systems where a malfunction or failure may reasonably be expected to result in significant injury to the user. The inclusion of Cypress products in life-support systems application implies that the manufacturer assumes all risk of such use and in doing so indemnifies Cypress against all charges.

**Trademarks**

PSoC is a registered trademark and PSoC Creator and F-RAM are trademarks of Cypress Semiconductor Corp. All other trademarks or registered trademarks referenced herein are property of the respective corporations.

**Source Code**

Any Source Code (software and/or firmware) is owned by Cypress Semiconductor Corporation (Cypress) and is protected by and subject to worldwide patent protection (United States and foreign), United States copyright laws and international treaty provisions. Cypress hereby grants to licensee a personal, non-exclusive, non-transferable license to copy, use, modify, create derivative works of, and compile the Cypress Source Code and derivative works for the sole purpose of creating custom software and or firmware in support of licensee product to be used only in conjunction with a Cypress integrated circuit as specified in the applicable agreement. Any reproduction, modification, translation, compilation, or representation of this Source Code except as specified above is prohibited without the express written permission of Cypress.

**Disclaimer**

CYPRESS MAKES NO WARRANTY OF ANY KIND, EXPRESS OR IMPLIED, WITH REGARD TO THIS MATERIAL, INCLUDING, BUT NOT LIMITED TO, THE IMPLIED WARRANTIES OF MERCHANTABILITY AND FITNESS FOR A PARTICULAR PURPOSE. Cypress reserves the right to make changes without further notice to the materials described herein. Cypress does not assume any liability arising out of the application or use of any product or circuit described herein. Cypress does not authorize its products for use as critical components in life-support systems where a malfunction or failure may reasonably be expected to result in significant injury to the user. The inclusion of Cypress' product in a life-support systems application implies that the manufacturer assumes all risk of such use and in doing so indemnifies Cypress against all charges.

Use may be limited by and subject to the applicable Cypress software license agreement.

# Contents



<b>Safety Information .....</b>	<b>5</b>
Regulatory Compliance .....	5
General Safety Instructions .....	6
<b>1. Introduction.....</b>	<b>7</b>
1.1 Kit Contents.....	7
1.2 PSoC Creator™.....	8
1.3 Getting Started .....	8
1.4 Additional Learning Resources.....	8
1.5 Technical Support.....	8
1.6 Documentation Conventions .....	8
<b>2. Kit Installation.....</b>	<b>9</b>
2.1 Prerequisite Software .....	9
2.2 Install Kit Software.....	9
2.3 Uninstall Software.....	11
<b>3. Kit Overview.....</b>	<b>12</b>
3.1 CY15FRAMKIT-001 Serial F-RAM Development Kit Overview .....	12
3.2 Kit Operation and Configuration Guide.....	13
3.2.1 Power Supply Jumper.....	13
3.2.2 F-RAM Devices.....	13
3.2.3 DIP Switch for I <sup>2</sup> C F-RAM Device Slave Address Select.....	13
3.2.4 Connectors to CY8CKIT-042/Arduino UNO R3 Board.....	14
3.2.5 Debug Headers .....	15
3.2.6 Test Points.....	15
3.3 CY15FRAMKIT-001 with PSoC 4 Pioneer Kit.....	15
3.4 CY15FRAMKIT-001 with Arduino UNO R3 Kit .....	16
<b>4. Hardware .....</b>	<b>17</b>
4.1 Board Details .....	17
4.2 Theory of Operation.....	19
4.3 Functional Description .....	19
4.3.1 SPI F-RAM Device (256-Kbit FM25W256) .....	19
4.3.2 I <sup>2</sup> C F-RAM Device (256-Kbit FM24W256) .....	22
<b>5. Example Projects.....</b>	<b>25</b>
5.1 Programming PSoC 4 Pioneer Kit .....	25
5.2 UART Setup .....	28
5.2.1 HyperTerminal Setup.....	30

5.2.2	PuTTY Setup .....	32
5.3	Project: PSoC 4 F-RAM SPI .....	34
5.3.1	Project Description.....	34
5.3.2	Hardware Connections .....	34
5.3.3	Firmware Flow .....	35
5.3.4	Verify Output.....	35
5.3.5	Modifying the Project .....	36
5.3.6	APIs .....	38
5.4	Project: PSoC 4 F-RAM I <sup>2</sup> C.....	39
5.4.1	Project Description.....	39
5.4.2	Hardware Connections .....	39
5.4.3	Firmware Flow .....	40
5.4.4	Verify Output.....	40
5.4.5	Modifying the Project .....	41
5.4.6	APIs .....	42
5.5	Programming Arduino UNO Kit.....	44
5.6	Project: Arduino F-RAM SPI .....	45
5.6.1	Project Description.....	45
5.6.2	Hardware Connections .....	45
5.6.3	Firmware Flow .....	46
5.6.4	Verify Output.....	46
5.6.5	APIs .....	47
5.7	Project: Arduino F-RAM I <sup>2</sup> C.....	48
5.7.1	Project Description.....	48
5.7.2	Hardware Connections .....	48
5.7.3	Firmware Flow .....	48
5.7.4	Verify Output.....	49
5.7.5	APIs .....	49
<b>Appendix.....</b>		<b>50</b>
A.1	CY15FRAMKIT-001 Schematics.....	50
A.2	Pin Assignment Table .....	53
A.3	Debug Header I/Os .....	54
A.4	Use of Zero-ohm Resistors and No Load .....	55
A.5	Use of 30-ohm Resistors and No Load .....	55
A.6	Bill of Materials (BOM) .....	56

# Safety Information



## Regulatory Compliance

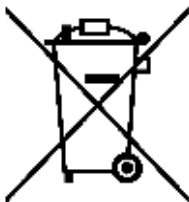
The CY15FRAMKIT-001 Serial F-RAM™ Development Kit is intended for use as a serial memory development platform for hardware or software in a laboratory environment. The board is an open-system design, which does not include a shielded enclosure. Therefore, the board may cause interference with other electrical or electronic devices in close proximity.

Attaching additional wiring to this product or modifying the product operation from the factory default may affect its performance and cause interference with other apparatus in the immediate vicinity. If such interference is detected, suitable mitigating measures should be taken.

The CY15FRAMKIT-001, as shipped from the factory, has been verified to meet with the requirements of CE as a Class A product.



The CY15FRAMKIT-001 contains ESD-sensitive devices. Electrostatic charges readily accumulate on the human body and any equipment, and can discharge without detection. Permanent damage may occur to devices subjected to high-energy discharges. Proper ESD precautions are recommended to avoid performance degradation or loss of functionality. Store unused CY15FRAMKIT-001 boards in the protective shipping package.



### End-of-Life/Product Recycling

The end-of-life cycle for this kit is five years from the date of manufacture mentioned on the back of the box. Contact your nearest recycler to discard the kit.



## General Safety Instructions

### ESD Protection

ESD can damage boards and associated components. Cypress recommends that the user perform procedures only at an ESD workstation. If an ESD workstation is not available, use appropriate ESD protection by wearing an antistatic wrist strap attached to the chassis ground (any unpainted metal surface) on the board when handling parts.

### Handling Boards

CY15FRAMKIT-001 boards are sensitive to ESD. Hold the board only by its edges. After removing the board from its box, place it on a grounded, static-free surface. Use a conductive foam pad if available. Do not slide the board over any surface.

# 1. Introduction



Thanks for your interest in the CY15FRAMKIT-001 Serial F-RAM Development Kit (DVK). The kit (shield) is designed as an easy-to-use and inexpensive development kit, showcasing the features of Cypress serial ferroelectric random access memory (F-RAM). Designed for flexibility, this kit offers footprint-compatibility with CY8CKIT-042 PSoC® 4 Pioneer Kit, CY8CKIT-040, CY8CKIT-042 BLE, third-party Arduino™ UNO R3, and several other Arduino kits. This board features a 256-Kbit SPI F-RAM, a 256-Kbit I<sup>2</sup>C F-RAM, three-pole DIP switch to control the I<sup>2</sup>C F-RAM device select pins, Arduino UNO compatible headers, and two debug headers. This kit supports power supply voltages of either 5.0 V or 3.3 V.

The CY15FRAMKIT-001 is a development kit for the Cypress Serial F-RAM memories. Cypress F-RAM is built on ferroelectric technology, which combines the nonvolatile data storage with the high-performance RAM. Serial F-RAMs provide fast writes at full bus speed. They do not have any write delays and data is instantly nonvolatile. They consume as low as 300  $\mu$ A active and 6  $\mu$ A standby current. Because of fast write speeds, serial F-RAMs need to be active for short periods, yielding very low energy consumption. Endurance is virtually unlimited offering 100 trillion read/write cycles.

## 1.1 Kit Contents

The CY15FRAMKIT-001 Serial F-RAM DVK includes the following contents, as shown in Figure 1-1:

- CY15FRAMKIT-001 serial F-RAM DVK board
- Quick start guide

Figure 1-1. CY15FRAMKIT-001 Serial F-RAM DVK Contents



Visit [www.cypress.com/shop](http://www.cypress.com/shop) for more information. Inspect the contents of the kit; if any parts are missing, contact your nearest Cypress sales office for help.

## 1.2 PSoC Creator™

PSoC Creator is a state-of-the-art, easy-to-use integrated design environment (IDE). It introduces revolutionary hardware and software codesign, powered by a library of preverified and precharacterized PSoC Components™.

With PSoC Creator, you can:

- Drag and drop PSoC Components to build a schematic of your custom design
- Automatically place and route components and configure GPIOs
- Develop and debug firmware using the included component APIs

PSoC Creator also enables you to tap into an entire tools ecosystem with integrated compiler chains and production programmers for PSoC devices. For more information, visit [www.cypress.com/Creator](http://www.cypress.com/Creator).

## 1.3 Getting Started

This guide helps you to get acquainted with the Serial F-RAM DVK. The Kit Installation chapter describes the installation of the kit software. The Kit Overview chapter explains the features of the kit. The Hardware chapter details the hardware operation. The Examples Projects chapter describes the code examples. The Appendix provides the schematics, pin assignment, use of zero-ohm and 30-ohm resistors, and the bill of materials (BOM).

## 1.4 Additional Learning Resources

Visit [www.cypress.com/go/F-RAM](http://www.cypress.com/go/F-RAM) for additional learning resources in the form of datasheets and application notes. The baseboard-related resources are available in the following links.

- [CY8CKIT-042 PSoC 4 Pioneer Kit](#)
- [Arduino UNO R3](#)

## 1.5 Technical Support

For assistance, go to our support web page, [www.cypress.com/support](http://www.cypress.com/support), or contact our customer support at +1 (800) 541-4736 Ext. 2 (in the USA) or +1 (408) 943-2600 Ext. 2 (International).

## 1.6 Documentation Conventions

Table 1-1. Document Conventions for Guides

Convention	Usage
Courier New	Displays file locations, user-entered text, and source code: C:\...\cd\icc\
<i>Italics</i>	Displays file names and reference documentation: Read about the <i>sourcefile.hex</i> file in the <i>PSoC Designer User Guide</i> .
<b>[Bracketed, Bold]</b>	Displays keyboard commands in procedures: <b>[Enter]</b> or <b>[Ctrl] [C]</b>
File > Open	Represents menu paths: File > Open > New Project
<b>Bold</b>	Displays commands, menu paths, and icon names in procedures: Click the <b>File</b> icon and then click <b>Open</b> .
Times New Roman	Displays an equation: $2 + 2 = 4$
Text in gray boxes	Describes cautions or unique functionality of the product.



# 2. Kit Installation



This section describes the installation of the CY15FRAMKIT-001 Serial F-RAM DVK software and prerequisites.

## 2.1 Prerequisite Software

You must install the PSoC Creator IDE or the Arduino IDE before using the kit. All Cypress software installations require administrator privileges. Administrator privileges are not required to execute the software after installation. Close all other Cypress software that is currently running before you install the kit software.

To download the PSoC Creator IDE, go to [www.cypress.com/psoccreator](http://www.cypress.com/psoccreator).

To download the Arduino IDE, go to [arduino.cc/en/Main/Software](http://arduino.cc/en/Main/Software).

## 2.2 Install Kit Software

Follow these steps to install the CY15FRAMKIT-001 Serial F-RAM DVK software:

1. Download the CY15FRAMKIT-001 DVK software from [www.cypress.com/go/CY15FRAMKIT-001](http://www.cypress.com/go/CY15FRAMKIT-001). The CY15FRAMKIT-001 software is available in three different formats (see Figure 2-1):

Figure 2-1. Available Formats for Downloading Serial F-RAM DVK Software

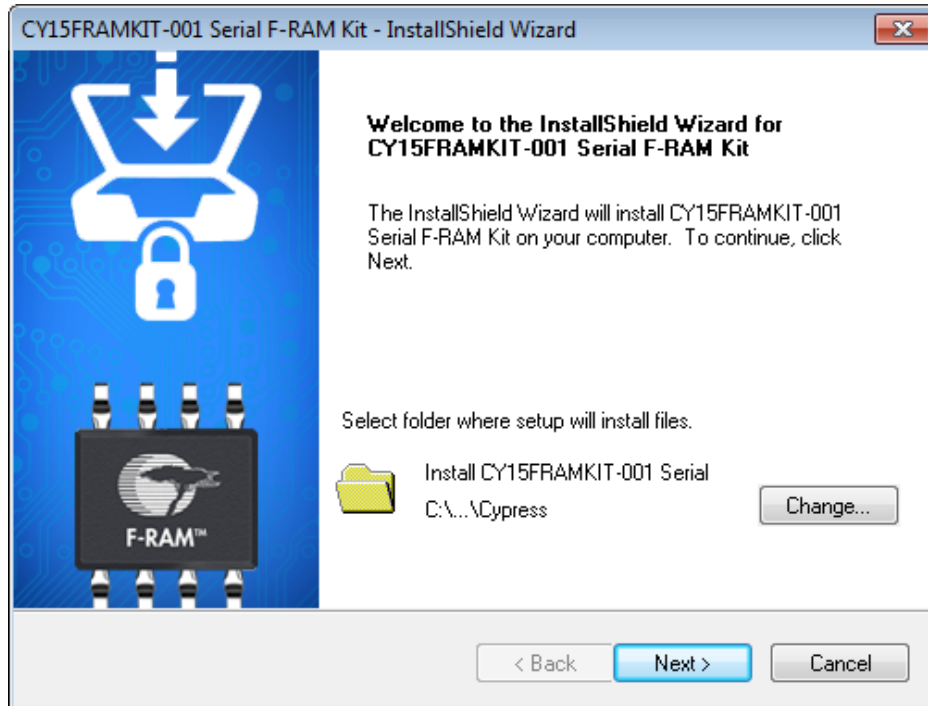


- **CY15FRAMKIT-001 Kit Setup:** This executable file installs only the kit contents, which include kit code examples, hardware files, and user documents.
  - **CY15FRAMKIT-001 CD ISO:** This file is a complete package, stored in a CD-ROM image format, which you can use to create a CD or extract using ISO extraction programs, such as WinZip or WinRAR. The file can also be mounted like a virtual CD using virtual drive programs such as Virtual CloneDrive and MagicISO. This file includes all the required firmware, hardware files, and user documents.
2. If you have downloaded the CD ISO file, mount it on a virtual drive. Extract the ISO contents if you do not have a virtual drive on which to mount. Double-click **cyautorun.exe** in the root directory of the extracted content or mounted ISO if “Autorun from CD/DVD” is not enabled on the PC. The installation window shown in Figure 2-2 will appear automatically.

**Note:** If you are using the Kit Setup file, then go to step 3 for installation.

3. The kit startup screen appears as shown in Figure 2-2. The default installation location is **Cypress** under **Program Files** folder.

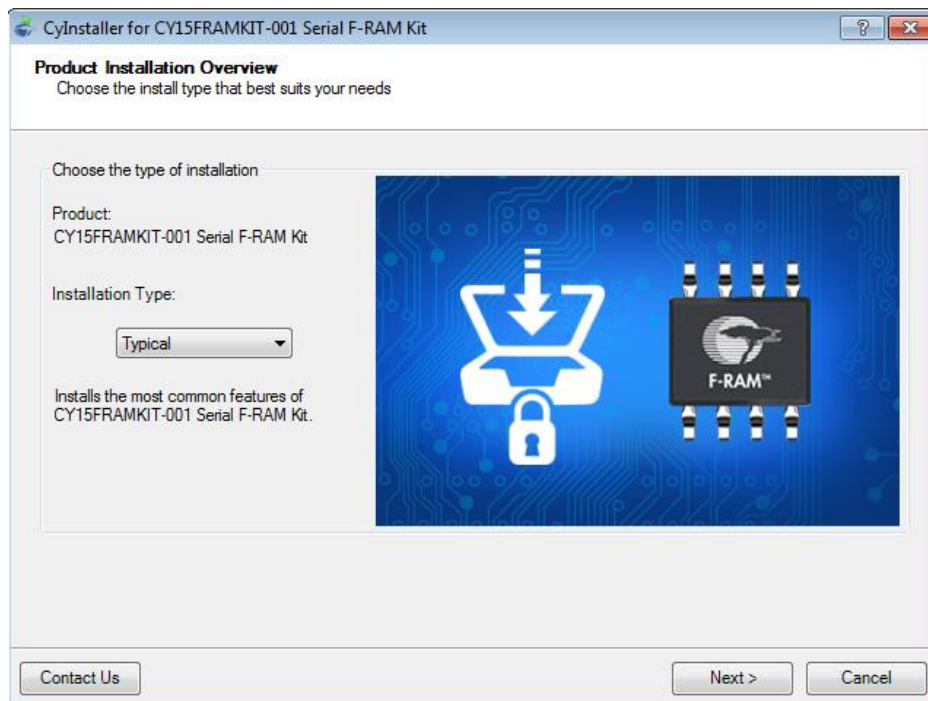
Figure 2-2. Kit Installer Startup Screen



Select the folder in which you want to install the CY15FRAMKIT-001 kit-related files. Choose the directory and click **Next**.

4. Select the **Typical installation** type in the **Product Installation Overview** window, as shown in [Figure 2-3](#). Click **Next**.

Figure 2-3. Product Installation Overview Window



When the installation begins, a list of packages appears on the installation page. A green check mark appears next to each package after successful installation.

5. If this is the first Cypress product that you have installed, enter your contact information or select the option **Continue without Contact Information**. Click **Finish** to complete the CY15FRAMKIT-001 kit installation.

After the installation is complete, the kit contents are available at <Install\_Directory>\CY15FRAMKIT-001 Serial F-RAM Kit\1.0. The default locations are as follows:

- Windows 7 (64-bit): C:\Program Files (x86)\Cypress\CY15FRAMKIT-001 Serial F-RAM Kit\1.0
- Windows 7 (32-bit): C:\Program Files\Cypress\CY15FRAMKIT-001 Serial F-RAM Kit\1.0

**Note:** For Windows 7/8/8.1 users, the installed files and the folder are read-only. To change the property, right-click the folder and choose **Properties > Attributes** and then disable the **Read-only** option. Click **Apply** and **OK** to close the window.

After the installation is complete, the following are installed on your computer:

- Kit documents
  - Quick start guide
  - Kit guide
  - Release note
- Firmware
  - PSoC 4 F-RAM SPI example project
  - PSoC 4 F-RAM I2C example project
  - Arduino UNO F-RAM SPI example project
  - Arduino UNO F-RAM I2C example project
- Hardware
  - Schematic
  - Layout
  - Gerber
  - PCB assembly drawing
  - Bill of materials (BOM)

## 2.3 Uninstall Software

The software can be uninstalled using one of the following methods:

- Go to **Start > Control Panel > Programs and Features**; select the appropriate software package and click **Uninstall**.
- Go to **Start > All Programs > Cypress > Cypress Update Manager > Cypress Update Manager**.
  - Select the "CY15FRAMKIT-001 Serial F-RAM Kit 1.0 Rev \*\*" row and click **Uninstall**. In the **Product Installation Overview** window, select **Remove** from the **Installation Type** drop-down menu. Follow the instructions to uninstall.

**Note:** This method will uninstall only the kit software and not all the other software that may have been installed along with the kit software.

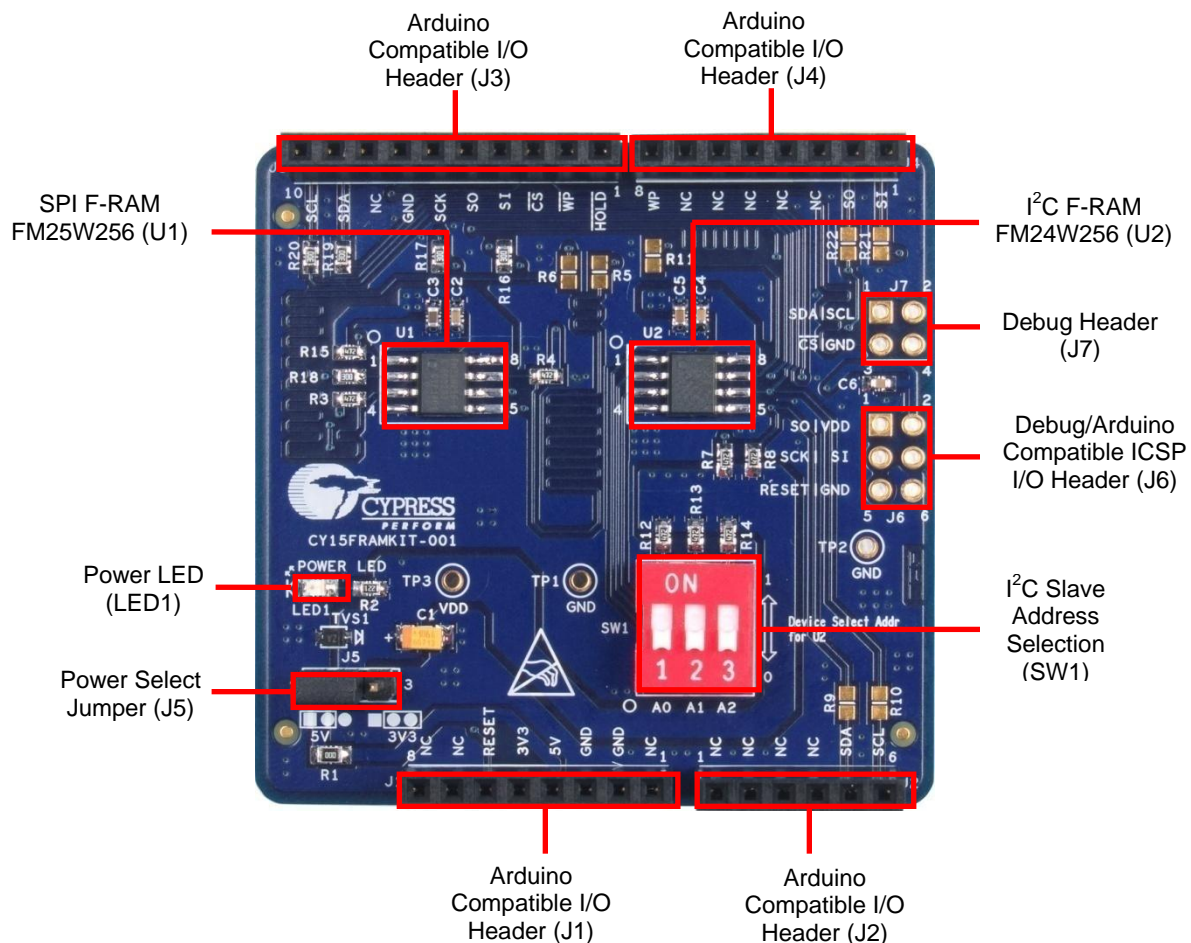
# 3. Kit Overview



## 3.1 CY15FRAMKIT-001 Serial F-RAM Development Kit Overview

The CY15FRAMKIT-001 Serial F-RAM DVK can be used to understand the features of the serial F-RAMs (SPI and I<sup>2</sup>C). The DVK is a shield board, which contains the 256-Kbit SPI F-RAM and 256-Kbit I<sup>2</sup>C F-RAM. It has four connectors that are Arduino UNO-compatible and connect to either Cypress PSoC 4 Pioneer Kit or Arduino UNO R3 board. These connectors are stackable and hence any other Arduino-compatible shields can be stacked on it. The kit has options to operate at either 3.3 V or 5.0 V. Figure 3-1 shows the DVK board and its general description.

Figure 3-1. General Description of DVK Board



Refer to the section [A.5 Use of 30-ohm Resistors and No Load](#) to modify the CY15FRAMKIT-001 hardware by mounting two 30-Ω resistors to make it Arduino UNO R2-compatible.

## 3.2 Kit Operation and Configuration Guide

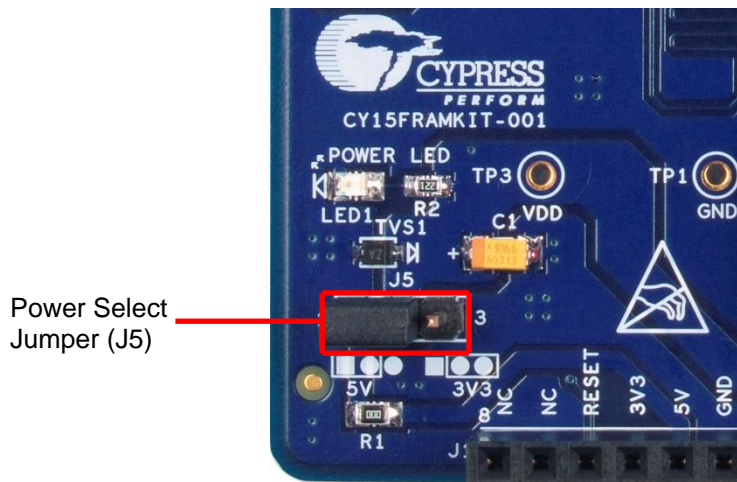
### 3.2.1 Power Supply Jumper

CY15FRAMKIT-001 can operate at either 3.3 V or 5.0 V, selected through jumper J5, as shown in [Figure 3-2](#). The factory default jumper setting is 5.0 V (short pins 1 and 2). Arduino UNO R3 boards operate at 5.0 V and use the default setting of the jumper J5. The CY8CKIT-042 Pioneer Kit operates at either 3.3 V or 5.0 V. The default setting of the Pioneer Kit is 3.3 V. Therefore, depending on the voltage setting on the mother board, set jumper J5 to either 5.0 V (short pins 1 and 2) or 3.3 V (short pins 2 and 3).

**CAUTION**

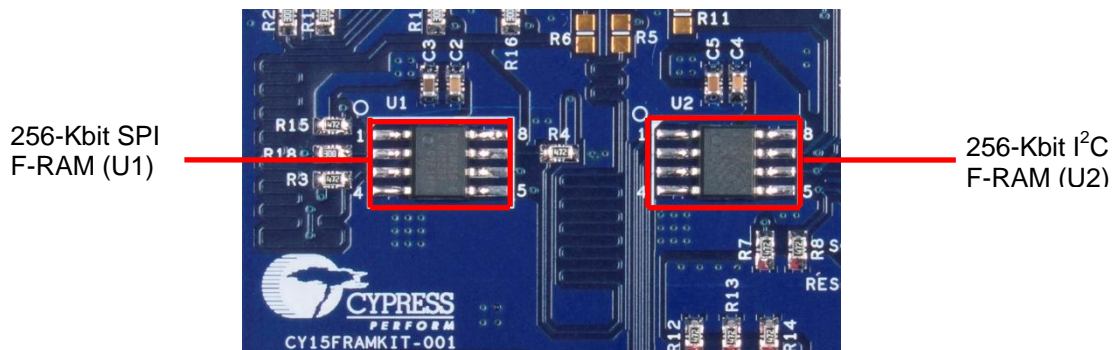
1. Do not power the CY15FRAMKIT-001 board through an external power source. The board is designed to be powered by the mother board.
2. The CY15FRAMKIT-001 operates from 2.7 V to 5.5 V. Exceeding the maximum voltage limit (5.5 V) can damage the board.
3. For proper operation of the board, ensure that jumper J5 is set to match the operating voltage on the motherboard.

Figure 3-2. Power Select Jumper



### 3.2.2 F-RAM Devices

Figure 3-3. Cypress Serial F-RAM Devices on the Board



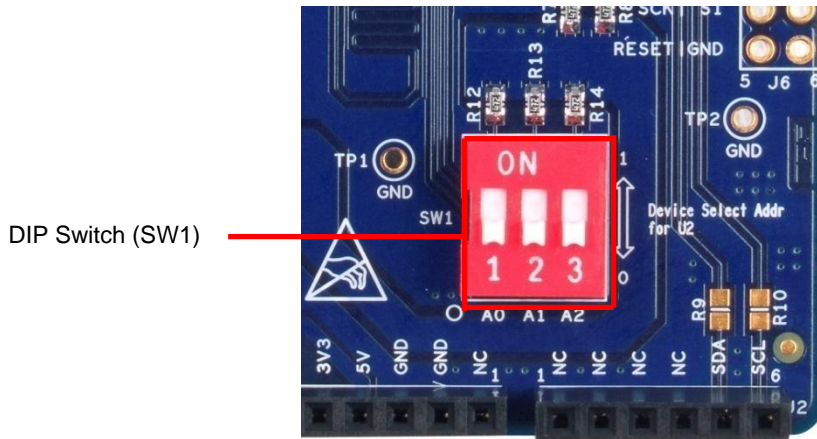
### 3.2.3 DIP Switch for I<sup>2</sup>C F-RAM Device Slave Address Select

The DVK provides a DIP switch option, as shown in [Figure 3-4](#), to configure the different slave address for the I<sup>2</sup>C F-RAM by assigning its individual slave select address pins (A2-A0) either to logic LOW '0' or logic HIGH '1'. When the DIP switch is in the ON position, it keeps the respective slave select address pin to logic HIGH using a 4.7 kΩ pull-up resistor. When the DIP switch is not in the ON position, the respective slave select address pins are kept at logic LOW by



F-RAM device through an internal weak pull-down resistor. The factory default setting for the DIP switch is not in the ON position which sets the values for A2, A1, and A0 to logic LOW '0'.

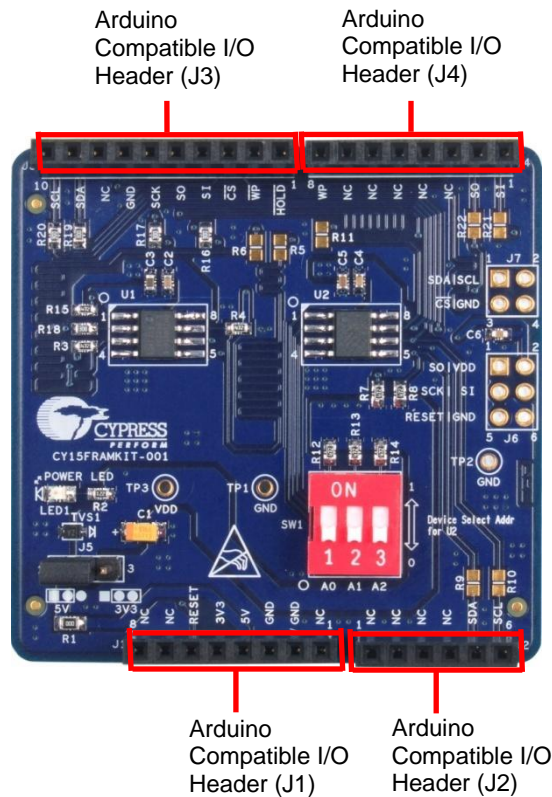
Figure 3-4. DIP Switch for I<sup>2</sup>C F-RAM A0, A1, and A2 Configuration



### 3.2.4 Connectors to CY8CKIT-042/Arduino UNO R3 Board

Figure 3-5 shows the Arduino-compatible connectors to the CY8CKIT-042/Arduino UNO R3 boards: J1, J2, J3, and J4. You can plug the DVK board into the CY8CKIT-042/Arduino UNO R3 board through these connectors. For schematic details, refer to the [Hardware chapter on page 17](#).

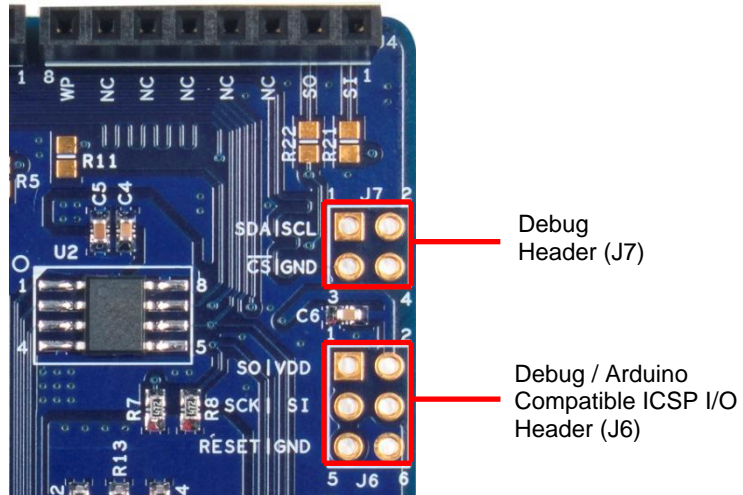
Figure 3-5. Connectors to CY8CKIT-042/Arduino UNO R3 Board



### 3.2.5 Debug Headers

Debug headers are provided for easy access to the SPI and I<sup>2</sup>C communication pins. As shown in [Figure 3-6](#), jumper J6 follows the in-circuit serial programming (ICSP) header pin layout and provides access to the SPI signals. Jumper J7 provides access to the chip select of the SPI F-RAM device and I<sup>2</sup>C communication signals.

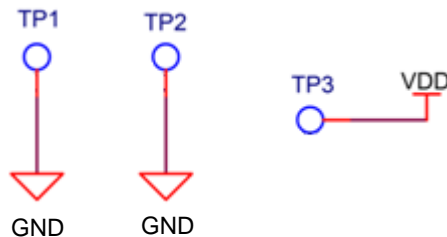
Figure 3-6. Debug Headers



### 3.2.6 Test Points

The DVK board provides V<sub>DD</sub> (TP3) and GND (TP1 and TP2) test points as shown in [Figure 3-7](#).

Figure 3-7. Test Points



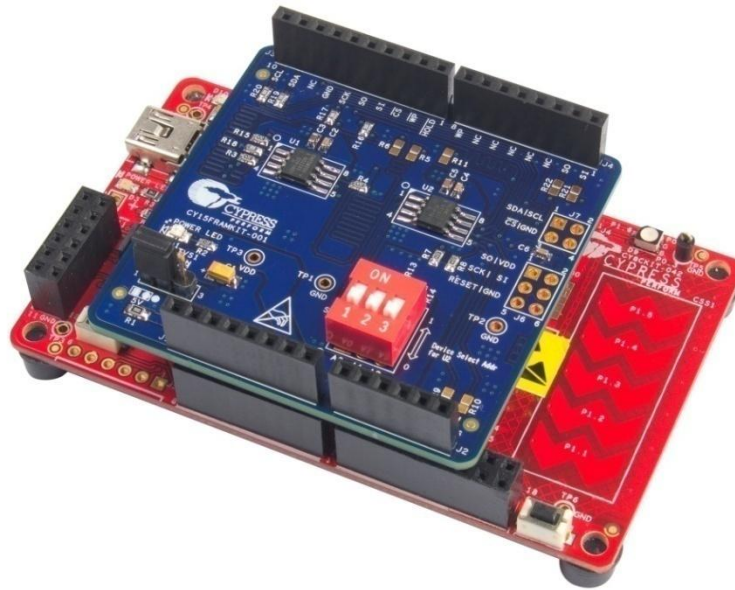
**CAUTION** These test point are only for probing and measurement purposes. Do not power the kit using these test points to avoid any damage to the board.

## 3.3 CY15FRAMKIT-001 with PSoC 4 Pioneer Kit

The CY15FRAMKIT-001 is plugged into the PSoC 4 Pioneer Kit (CY8CKIT-042) through four connectors: J1, J2, J3, and J4. The default operating voltage of serial F-RAM kit is 5.0 V. To match this, change the voltage setting on the PSoC 4 pioneer kit to 5.0 V. You can also operate at 3.3 V by selecting the 3.3 V power settings on both PSoC 4 pioneer and serial F-RAM kits.

**Note:** J2 on the CY15FRAMKIT-001 is a 6-pin, single row jumper. On the PSoC 4 Pioneer kit, J2 is a 9x2 header. Therefore, J2 of the CY15FRAMKIT-001 plugs into the six pins on the extreme left of the outer row of the J2 header on the Pioneer board. This can be easily observed because the CY15FRAMKIT-001 can be inserted only in one direction.

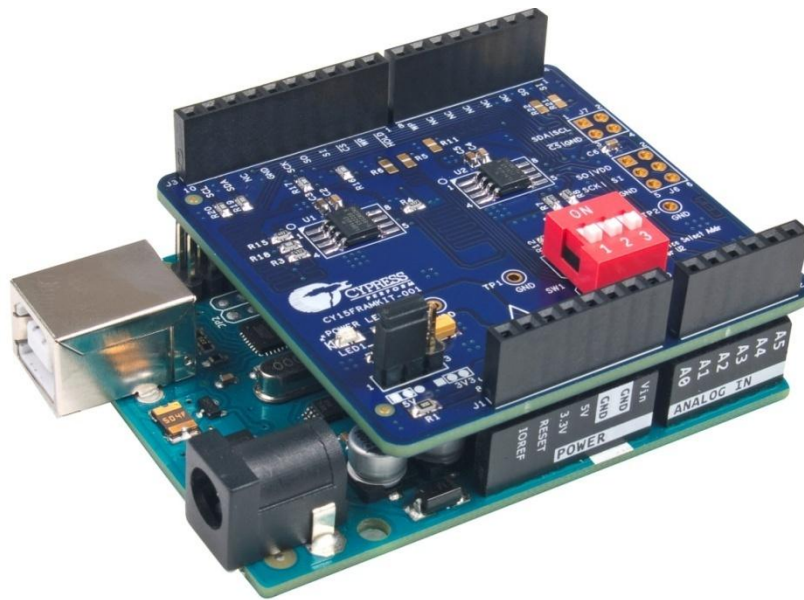
Figure 3-8. CY15FRAMKIT-001 Mounted on PSoC 4 Pioneer Kit



### 3.4 CY15FRAMKIT-001 with Arduino UNO R3 Kit

The CY15FRAMKIT-001 is plugged into the Arduino UNO R3 Kit through four connectors: J1, J2, J3, and J4. These connector pins are mapped one to one.

Figure 3-9. CY15FRAMKIT-001 Mounted on Arduino UNO R3 Kit





# 4. Hardware



## 4.1 Board Details

The CY15FRAMKIT-001 Serial F-RAM DVK consists of the following blocks as shown in Figure 4-1.

- 256-Kbit SPI F-RAM (U1)
- 256-Kbit I2C F-RAM (U2)
- Power select jumper (J5)
- Power LED (LED1)
- DIP switch for device address selection (SW1)
- Debug headers for SPI/I2C signals (J6, J7)
- Arduino-compatible connectors (J1, J2, J3, J4)

Figure 4-1. CY15FRAMKIT-001 Serial F-RAM DVK Details

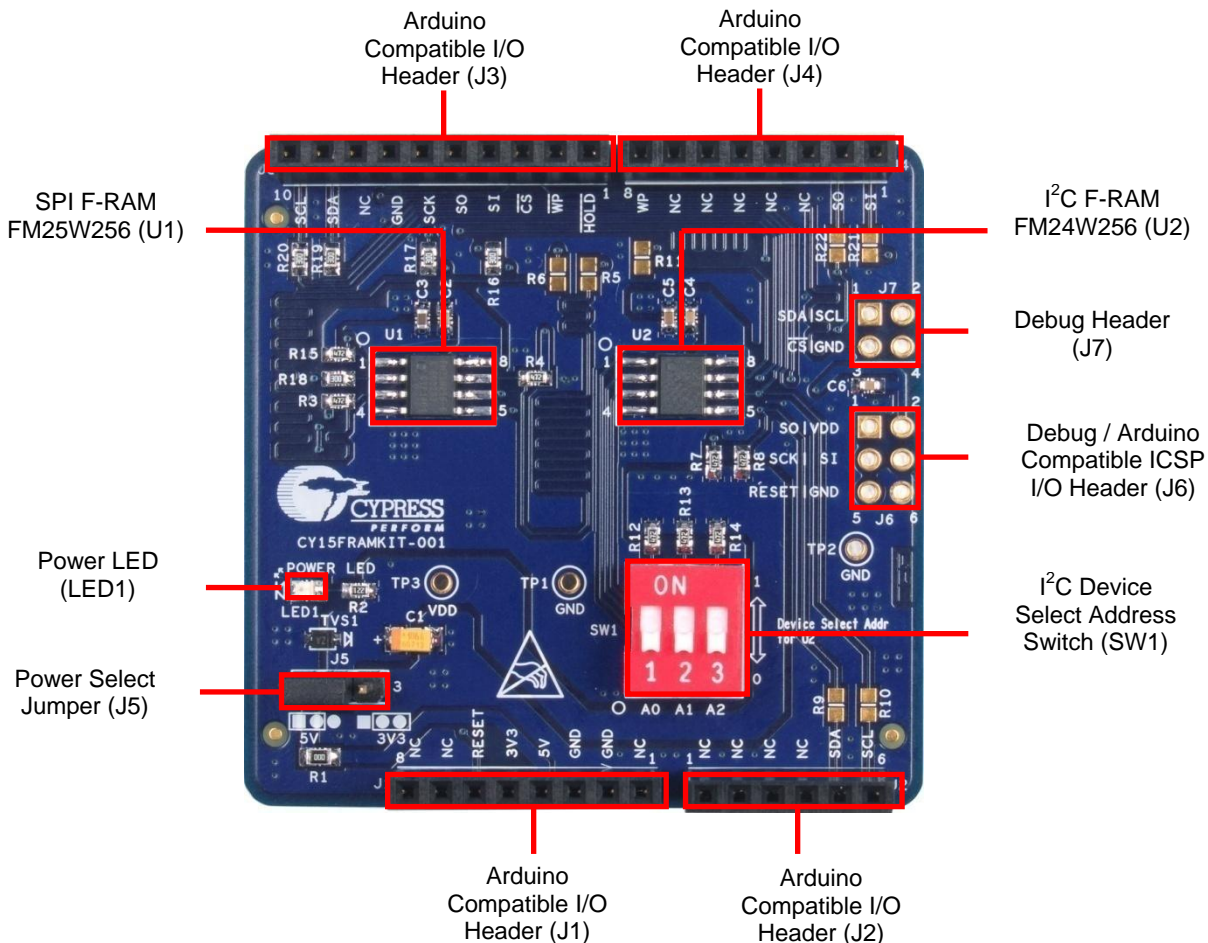
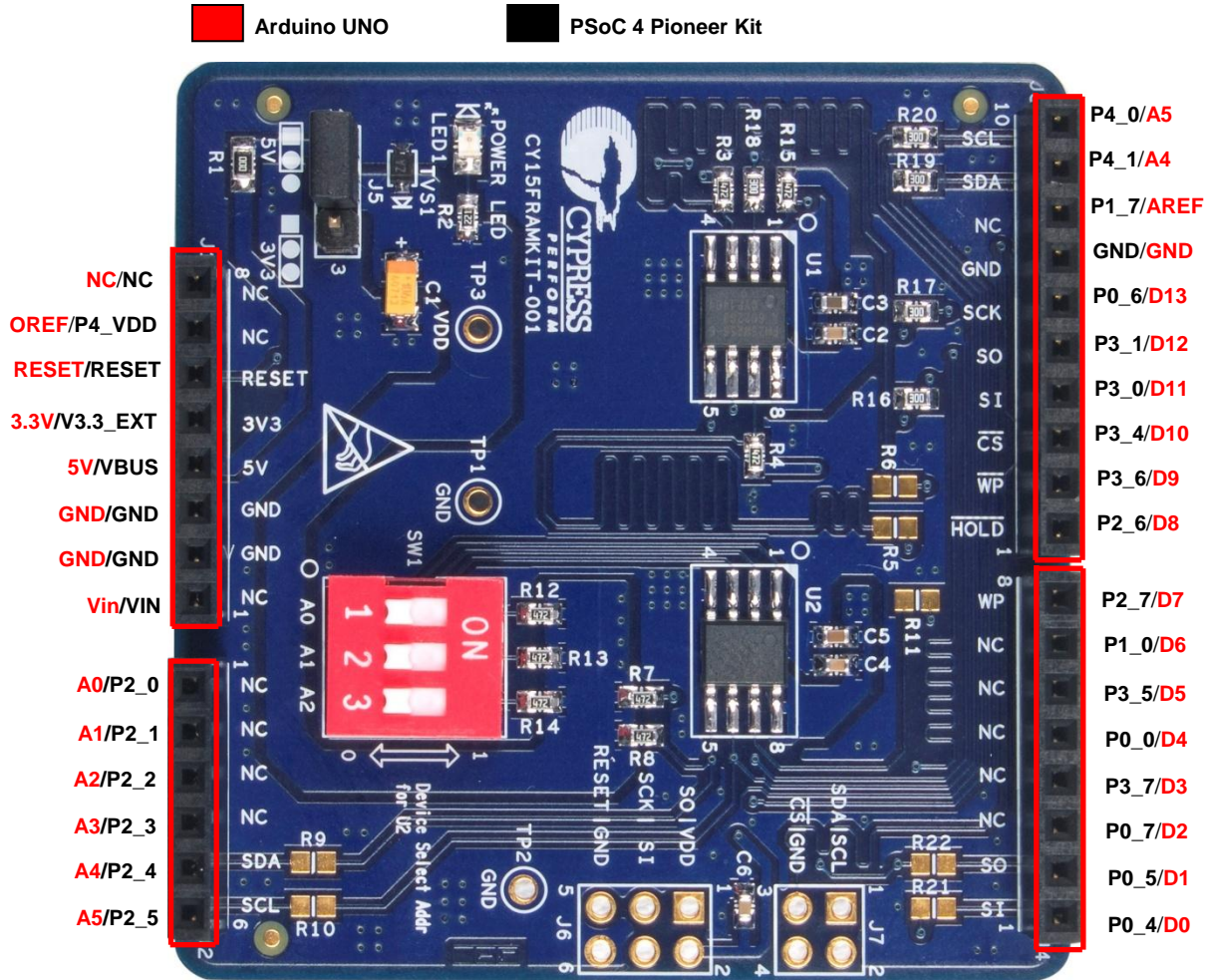


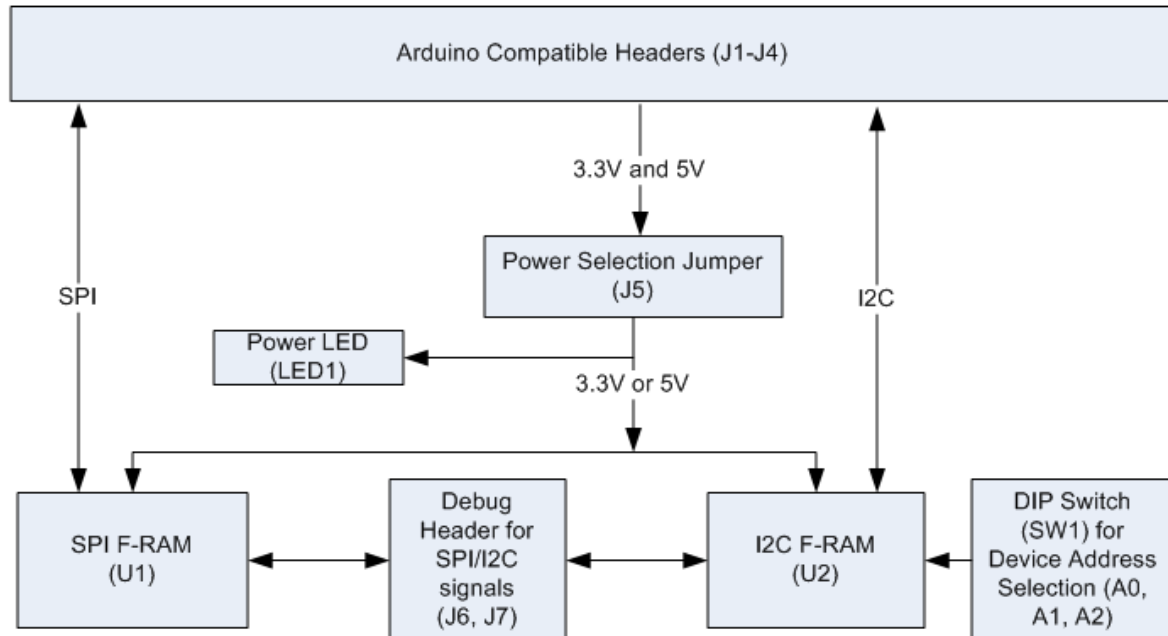
Figure 4-2. CY15FRAMKIT-001 Serial F-RAM DVK Pin Mapping for PSoC 4 Pioneer/Arduino UNO R3 Kit



## 4.2 Theory of Operation

This section provides the block-level description of the PSoC 4 Pioneer Kit.

Figure 4-3. Block Diagram



The CY15FRAMKIT-001 Serial F-RAM DVK provides 256-Kbit SPI and 256-Kbit I<sup>2</sup>C F-RAM devices. The DVK is a shield board, which can be plugged into the PSoC 4 Pioneer Kit or the Arduino UNO R3 Kit.

The CY15FRAMKIT-001 Serial F-RAM DVK has a power LED (LED1) indicating the power-ON condition. The kit can operate either at 3.3 V or 5 V selected through jumper J5. The kit also has the option to change the device address for the I<sup>2</sup>C F-RAM. The kit also provides debug headers for SPI / I<sup>2</sup>C signals.

## 4.3 Functional Description

### 4.3.1 SPI F-RAM Device (256-Kbit FM25W256)

The CY15FRAMKIT-001 Serial F-RAM DVK uses Cypress 256-Kbit SPI F-RAM device. The device pins are accessible for reads and writes through Arduino-compatible headers.

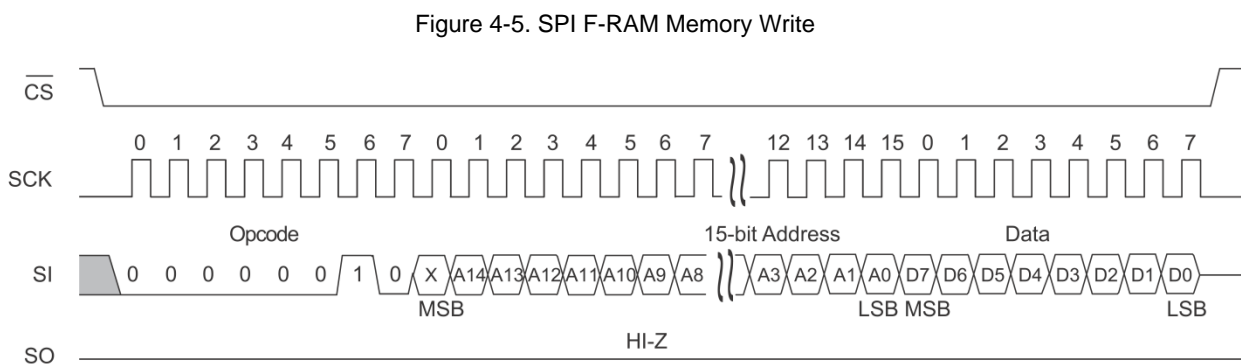
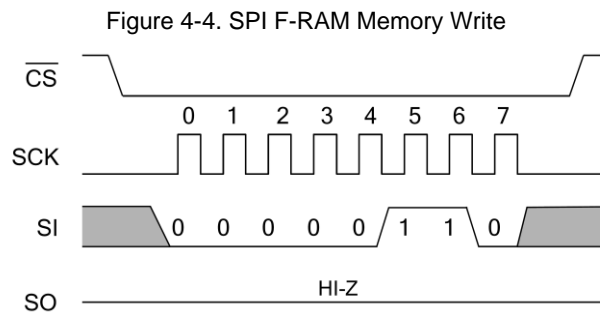
#### Features

- 256-Kbit ferroelectric random access memory (F-RAM) logically organized as 32K x 8
  - High-endurance 100 trillion (10<sup>14</sup>) read/writes
  - 151-year data retention
  - NoDelay™ writes
  - Advanced high-reliability ferroelectric process
- Fast serial peripheral interface (SPI)
  - Up to 20 MHz frequency
  - Direct hardware replacement for serial flash and EEPROM
  - Supports SPI mode 0 (0,0) and mode 3 (1,1)
- Sophisticated write protection scheme

- Hardware protection using the Write Protect ( $\overline{WP}$ ) pin
- Software protection using Write Disable instruction
- Software block protection for 1/4, 1/2, or the entire array
- Low power consumption
  - 250  $\mu$ A active current at 1 MHz
  - 15  $\mu$ A (typ) standby current
- Wide voltage operation: VDD = 2.7 V to 5.5 V
- Industrial temperature:  $-40$  °C to  $+85$  °C
- 8-pin small outline integrated circuit (SOIC) package
- Restriction of hazardous substances (RoHS) compliant

**Memory Write**

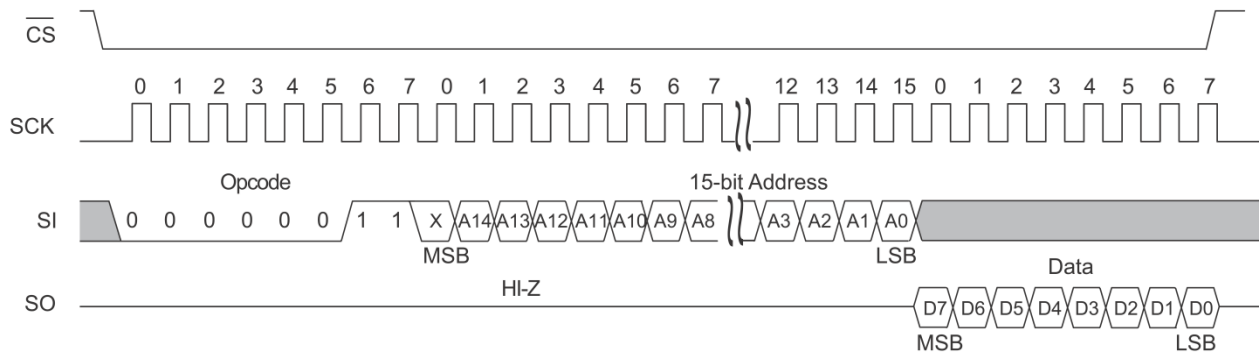
All writes to the SPI F-RAM begin with a WREN (Write Enable) opcode (0x06). The WRITE opcode (0x02) is followed by a two-byte address containing the 15-bit address (A14-A0) of the first data byte to be written into the memory. The upper bit of the two-byte address is ignored. The subsequent bytes after the two address bytes are data bytes, which are written sequentially. Addresses are incremented internally as long as the bus master continues to issue clocks and keeps  $\overline{CS}$  LOW. If the last address of 7FFFh is reached, the counter will roll over to 0000h. Data is written MSB first. The rising edge of  $\overline{CS}$  terminates a write operation. SPI F-RAM write operation is shown in the following figure.



**Memory Read**

After the falling edge of  $\overline{CS}$ , the bus master can issue a READ opcode (0x03). Following the READ command is a two-byte address containing the 15-bit address (A14-A0) of the first byte of the read operation. The upper bit of the address is ignored. After the read opcode and two address bytes are issued, the device drives out the read data byte on the next eight clocks on SO pin. The SI input is ignored during read data bytes. Subsequent bytes are data bytes, which are read out sequentially. Addresses are incremented internally as long as the bus master continues to issue clocks and  $\overline{CS}$  is LOW. If the last address of 7FFFh is reached, the counter will roll over to 0000h. Data is read MSB first. The rising edge of  $\overline{CS}$  terminates a read operation and tristates the SO pin. SPI F-RAM read operation is shown in the following figure.

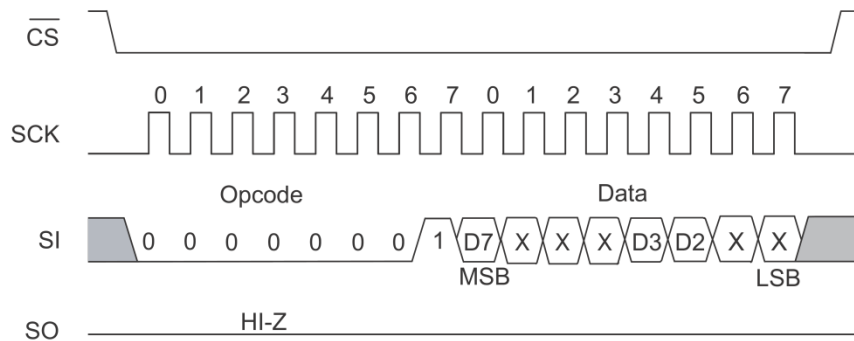
Figure 4-6. SPI F-RAM Memory Read



### Status Register Write

The write status register WRSR command (0x01) allows the SPI bus master to write into the status register of the SPI F-RAM.

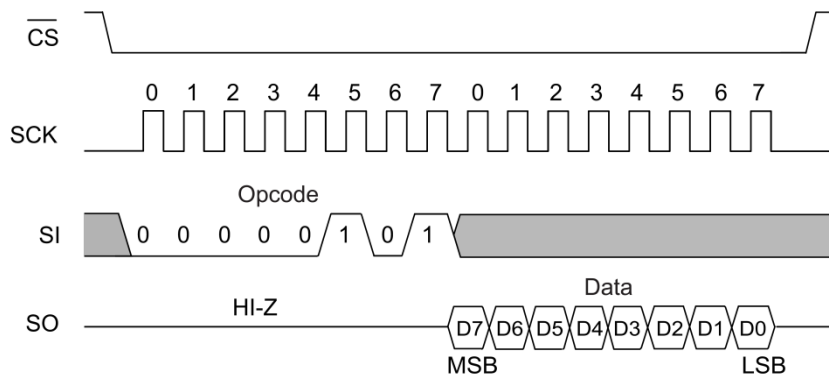
Figure 4-7. SPI F-RAM Status Register Write



### Status Register Read

The read status register RDSR command (0x05) allows the bus master to verify the contents of the status register of the SPI F-RAM. Reading the status register provides information about the current state of the write-protection features. Following the RDSR opcode, the SPI F-RAM device will return one byte with the contents of the status register.

Figure 4-8. SPI F-RAM Status Register Read



For more details on the F-RAM device, refer to the [FM25W256 datasheet](#).



### 4.3.2 I<sup>2</sup>C F-RAM Device (256-Kbit FM24W256)

The CY15FRAMKIT-001 Serial F-RAM DVK uses the 256-Kbit I<sup>2</sup>C F-RAM device. The device is accessible for read and writes through Arduino-compatible headers.

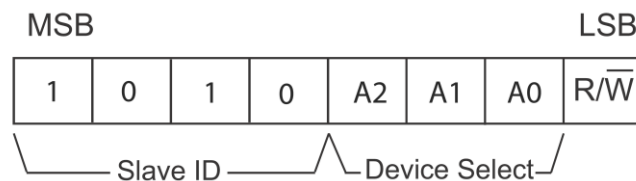
#### Features

- 256-Kbit F-RAM is logically organized as 32K × 8
  - High-endurance 100 trillion (10<sup>14</sup>) read/writes
  - 151-year data retention
  - NoDelay™ writes
  - Advanced high-reliability ferroelectric process
- Fast 2-wire serial interface (I<sup>2</sup>C)
  - Up to 1-MHz frequency
  - Direct hardware replacement for serial (I2C) EEPROM
  - Supports legacy timings for 100 kHz and 400 kHz
- Low power consumption
  - 100 μA active current at 100 kHz
  - 15 μA (typical) standby current
- Wide voltage operation: VDD = 2.7 V to 5.5 V
- Industrial temperature: –40 °C to +85 °C
- 8-pin small outline integrated circuit (SOIC) package
- Restriction of hazardous substances (RoHS) compliant

#### Slave Device Address

The first byte that the FM24W256 expects after a START condition is the slave address. As shown in Figure 4-9, the slave address contains the device type or slave ID, the device select address bits, and a bit that specifies if the transaction is a read or a write. Bits 7-4 are the device type (slave ID) and should be set to 1010b for the FM24W256. These bits allow other function types to reside on the I<sup>2</sup>C bus within an identical address range. Bits 3-1 are the device select address bits. They must match the corresponding value on the external address pins to select the device. Up to eight FM24W256 devices can reside on the same I<sup>2</sup>C bus by assigning a different address to each. Bit 0 is the read/write bit (R/W). R/W = '1' indicates a read operation and R/W = '0' indicates a write operation.

Figure 4-9. I<sup>2</sup>C F-RAM Slave Device Address Register

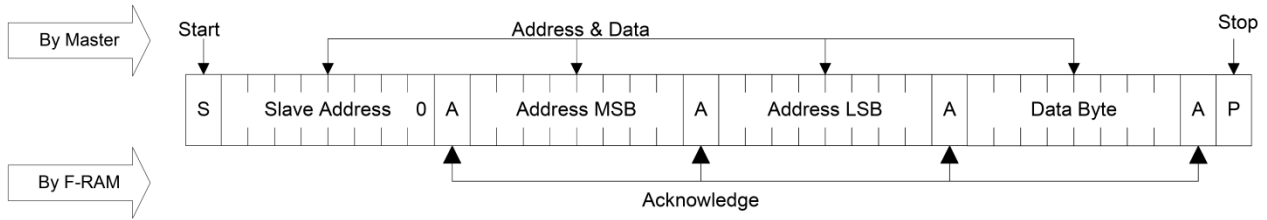


#### Memory Write

All writes begin with a slave address, then a memory address. The bus master indicates a write operation by setting the LSB of the slave address (R/W bit) to a '0'. After addressing, the bus master sends each byte of data to the memory and the memory generates an acknowledge condition. Any number of sequential bytes may be written. If the end of the address range is reached internally, the address counter will wrap from 7FFFh to 0000h.

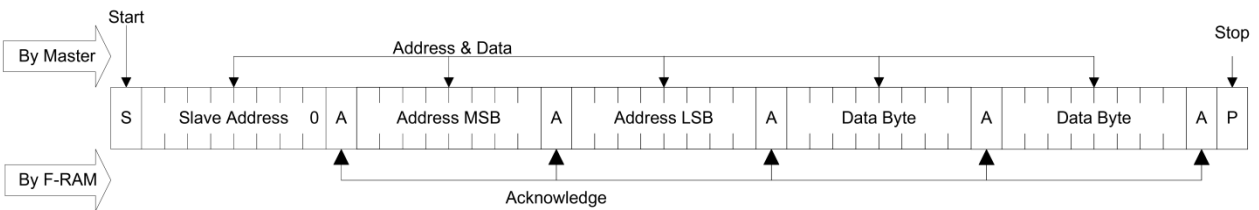
Single-Byte Write:

Figure 4-10. I<sup>2</sup>C F-RAM Single Byte Memory Write



Multi-Byte Write:

Figure 4-11. I<sup>2</sup>C F-RAM Multisystem Memory Write



Memory Read

There are two basic types of read operations: current address read and selective (random) address read. In a current address read, the FM24W256 uses the internal address latch to supply the address. In a selective read, the user performs a procedure to set the address to a specific value.

*Current Address and Sequential Read*

The FM24W256 uses an internal latch to supply the address for a read operation. A current address read uses the existing value in the address latch as a starting place for the read operation. The system reads from the address immediately following that of the last operation.

To perform a current address read, the bus master supplies a slave address with the LSB set to a '1'. This indicates that a read operation is requested. After receiving the complete slave address, the FM24W256 will begin shifting out data from the current address on the next clock. The current address is the value held in the internal address latch.

Beginning with the current address, the bus master can read any number of bytes. Thus, a sequential read is simply a current address read with multiple byte transfers. After each byte the internal address counter will be incremented.

Figure 4-12. I<sup>2</sup>C F-RAM Single Byte Current Address Read

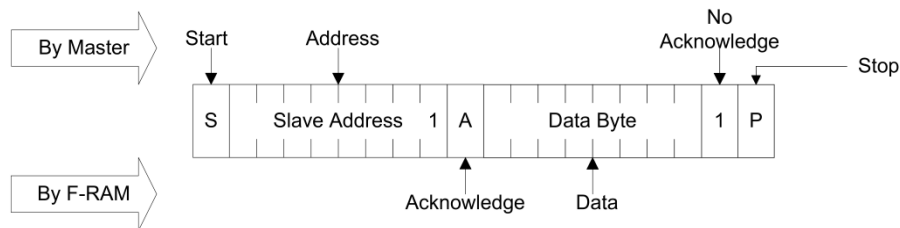
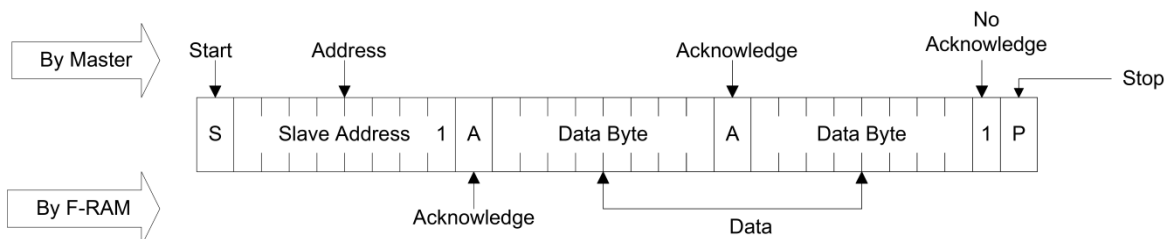


Figure 4-13. I<sup>2</sup>C F-RAM Multisystem Sequential Read

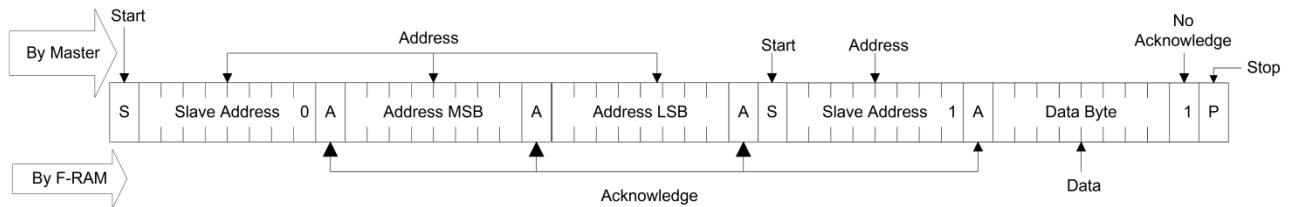


### Selective (Random) Read

A simple technique allows a user to select a random address location as the starting point for a read operation. This involves using the first three bytes of a write operation to set the internal address followed by subsequent read operations.

To perform a selective read, the bus master sends out the slave address with the LSB ( $R/\bar{W}$ ) set to 0. This specifies a write operation. According to the write protocol, the bus master then sends the address bytes that are loaded into the internal address latch. After the FM24W256 acknowledges the address, the bus master issues a START condition. This simultaneously aborts the write operation and allows the read command to be issued with the slave address LSB set to a '1'. The operation is now a current address read.

Figure 4-14. F-RAM I<sup>2</sup>C Selective (Random) Read





# 5. Example Projects



Cypress provides four example projects with the CY15FRAMKIT-001 Serial F-RAM DVK package. These example projects help you to understand the serial F-RAM interface with a microcontroller. The example projects are based on PSoC 4 Pioneer Kit and Arduino UNO R3 Kit.

Download the example projects from [www.cypress.com/go/CY15FRAMKIT-001](http://www.cypress.com/go/CY15FRAMKIT-001). The installer will place the example projects under <Install\_Directory>\CY15FRAMKIT-001 Serial F-RAM Kit\1.0\Firmware\ folder

The following example projects are PSoC 4-based and need the PSoC Creator software and the PSoC 4 Pioneer Kit.

- PSoC4\_FRAM\_SPI
- PSoC4\_FRAM\_I2C

The following example projects are Arduino-based and need Arduino IDE and Arduino UNO R3 Kit.

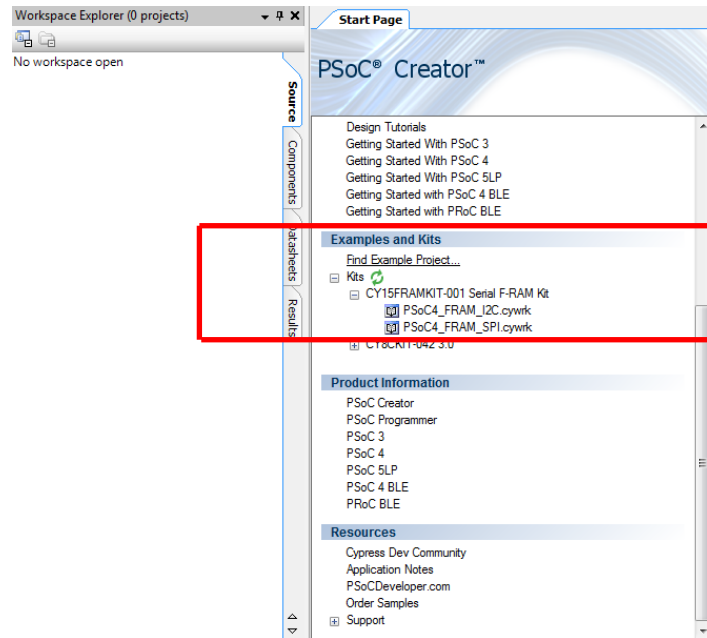
- Arduino\_FRAM\_SPI
- Arduino\_FRAM\_I2C

## 5.1 Programming PSoC 4 Pioneer Kit

Follow these steps to program the PSoC 4 example projects (PSoC4\_FRAM\_SPI project is shown here):

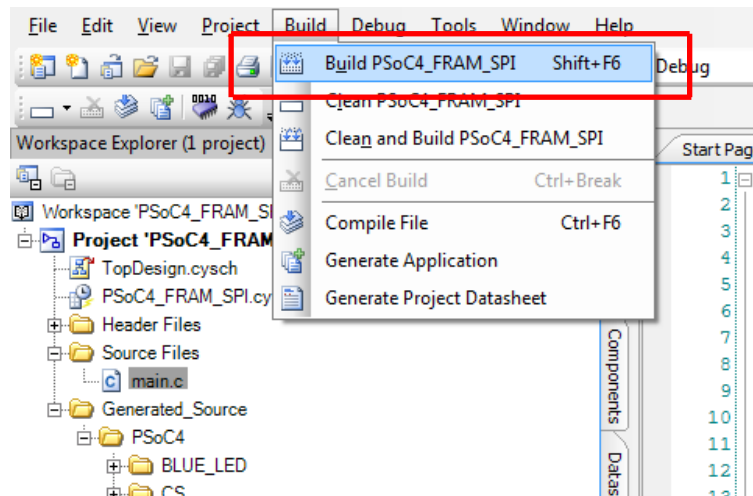
1. Launch PSoC Creator from **Start > All Programs > Cypress > PSoC Creator 3.1 > PSoC Creator 3.1**. If PSoC Creator is not installed, download from [www.cypress.com/psoccreator](http://www.cypress.com/psoccreator).
2. On the Start Page, under **Examples and Kits** section, choose **Kits > CY15FRAMKIT-001**. A list of example projects appears, as shown in [Figure 5-1](#). Click on the desired example project.

Figure 5-1. Opening Example Project from PSoC Creator



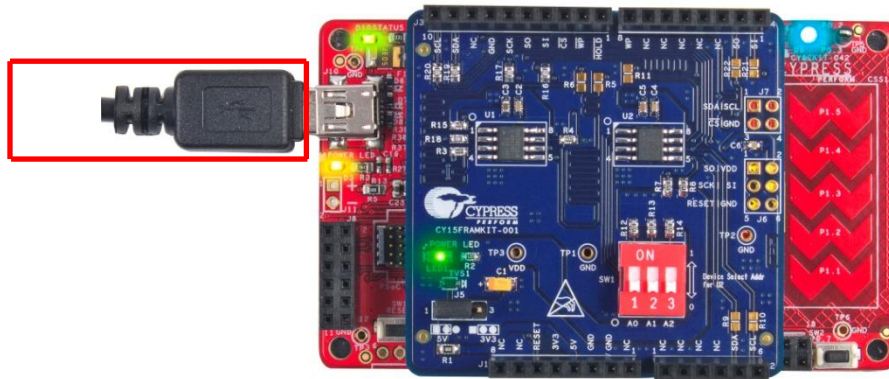
3. Select the folder where you want to save the project and click **OK**.
4. Build the code example by clicking **Build > Build <Project name>** to generate the hex file.

Figure 5-2. Build Project from PSoC Creator



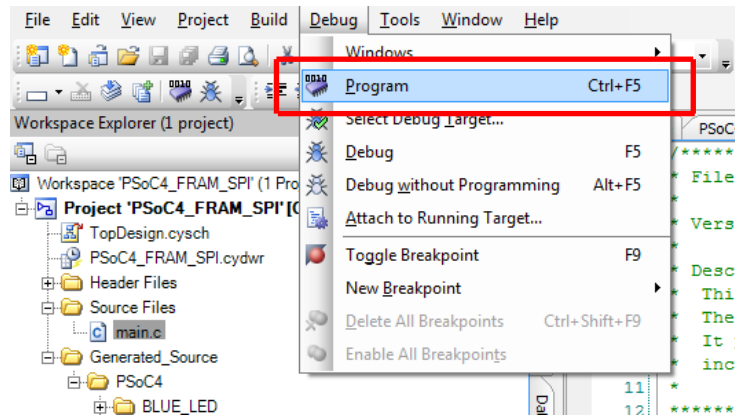
5. Select the operating voltage. CY15FRAMKIT-001 can operate at either 3.3 V or 5.0 V, selected through jumper J5. The factory default jumper setting is 5.0 V (short pins 1 and 2). Arduino UNO R3 boards operate at 5.0 V and use the default setting of the jumper J5. The CY8CKIT-042 Pioneer Kit operates at either 3.3 V or 5.0 V. The default setting of the Pioneer Kit is 3.3 V. Therefore, depending on the voltage setting on the mother board, set jumper J5 to either 5.0 V (short pins 1 and 2) or 3.3 V (short pins 2 and 3). To program PSoC 4, connect the Pioneer board to a PC using the USB cable connected to USB Mini-B connector J10 as shown in [Figure 5-3](#).

Figure 5-3. Connect PSoC 4 Pioneer Kit to PC through USB



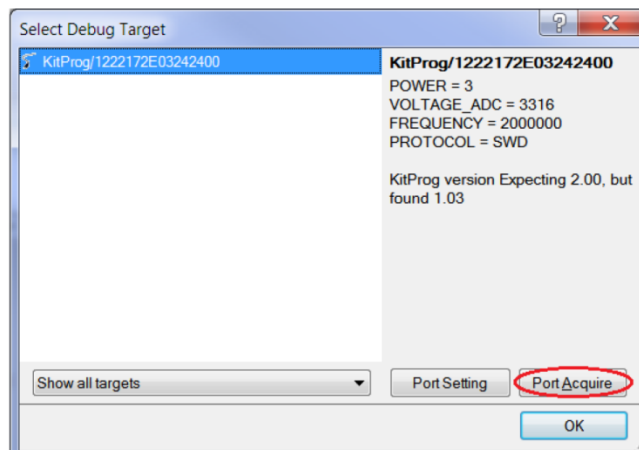
6. Click **Debug > Program** in PSoC Creator.

Figure 5-4. Program Device from PSoC Creator



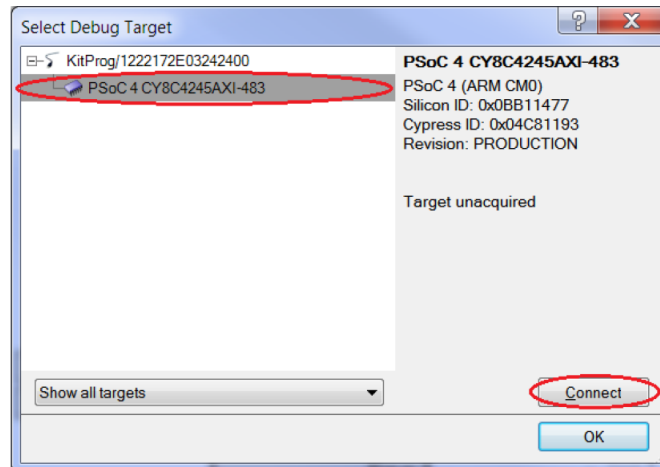
7. If the device is not yet acquired, PSoC Creator will open the programming window. Select **KitProg** and click the **Port Acquire** button.

Figure 5-5. Acquire Device from PSoC Creator



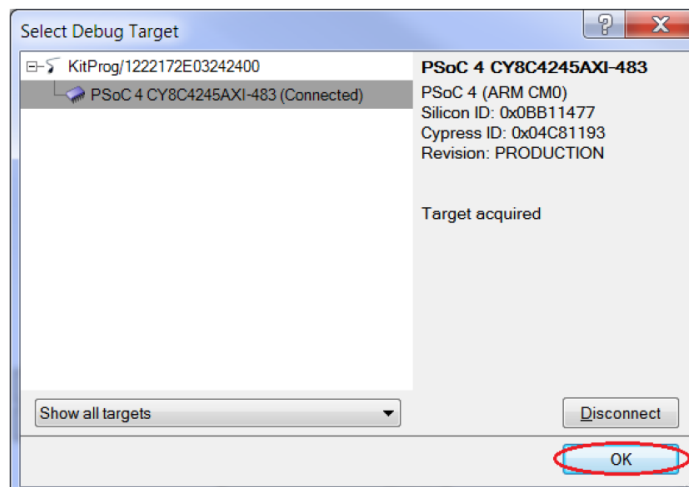
8. After the device is acquired, it is shown in a tree structure below the **KitProg**. Now, click the **Connect** button.

Figure 5-6. Connect Device from PSoC Creator



9. Click **OK** to exit the window and start programming.

Figure 5-7. Program Device from PSoC Creator

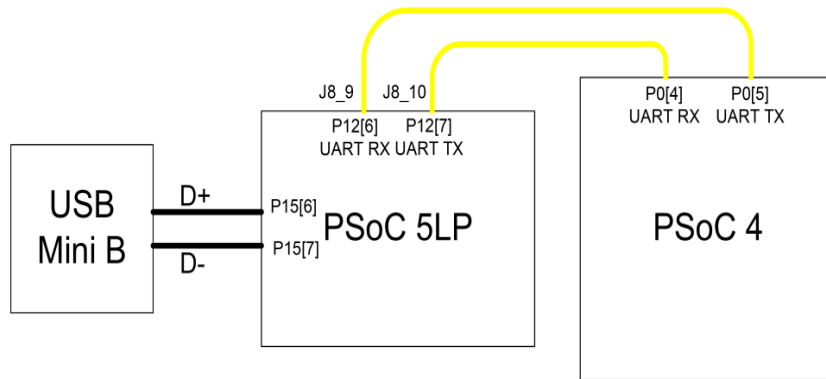


## 5.2 UART Setup

This section describes the UART interface setup to display the PSoC 4 example project output on the PC either using HyperTerminal or PuTTY as an alternative to HyperTerminal for the serial COM connection.

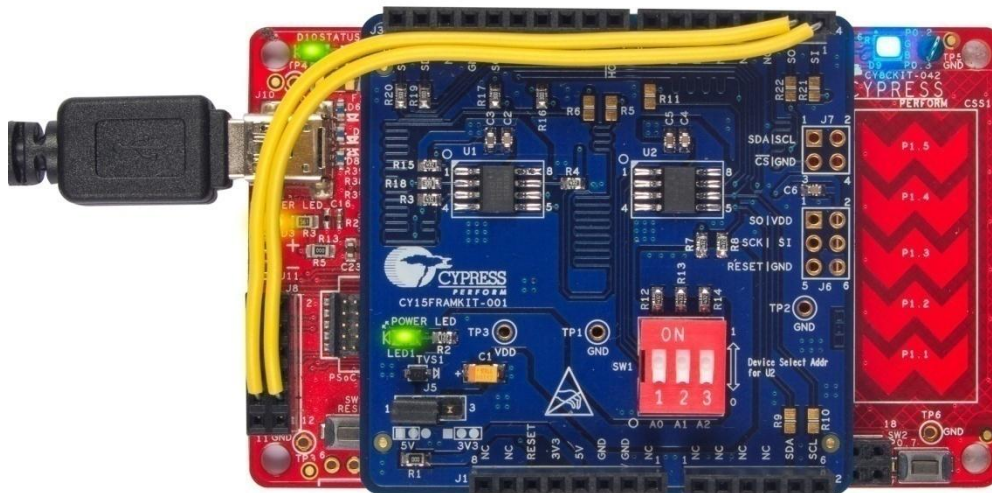
The PSoC 5LP device on PSoC 4 Pioneer Kit can be configured as USB to UART Bridge as shown in Figure 5-8. Both the PSoC 4 example projects include UART communication to transmit the result to PC via USB port. For more details on the hardware setup and the architecture, refer to the PSoC 4 Pioneer Kit web page: <http://www.cypress.com/?rid=77780>.

Figure 5-8. Block Diagram of UART Connection between PSoC 4 and PSoC 5LP



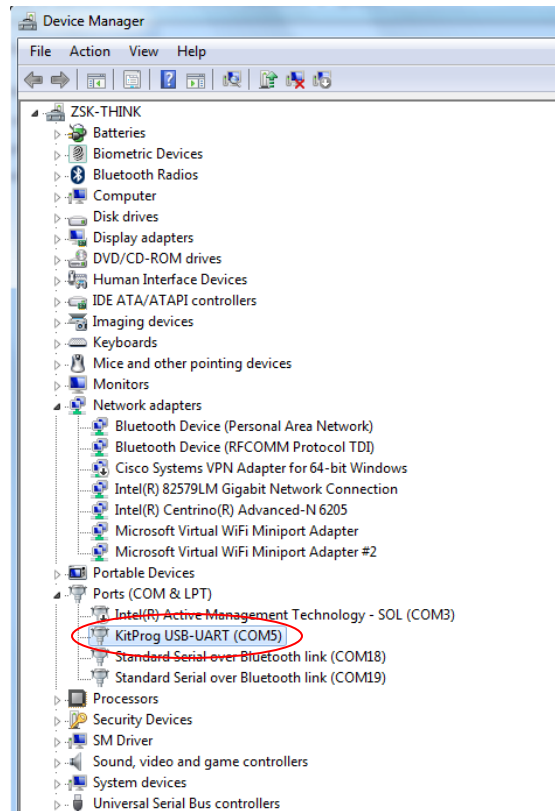
Connect the RX port of the PSoC 4, accessible through J4\_1 (SI) on the CY15FRAMKIT-001 kit to J8\_10 (TX). Similarly connect the TX port of PSoC 4, accessible through J4\_2 (SO) on the CY15FRAMKIT-001 kit to J8\_9 as shown in [Figure 5-9](#).

Figure 5-9. UART Connection on PSoC 4 Pioneer Kit



Connect USB Mini-B to J10. The kit enumerates as a **KitProg USB-UART** and is available under the **Device Manager > Ports (COM & LPT)**. A communication port is assigned to the KitProg USB-UART.

Figure 5-10. KitProg USB-UART in Device Manager

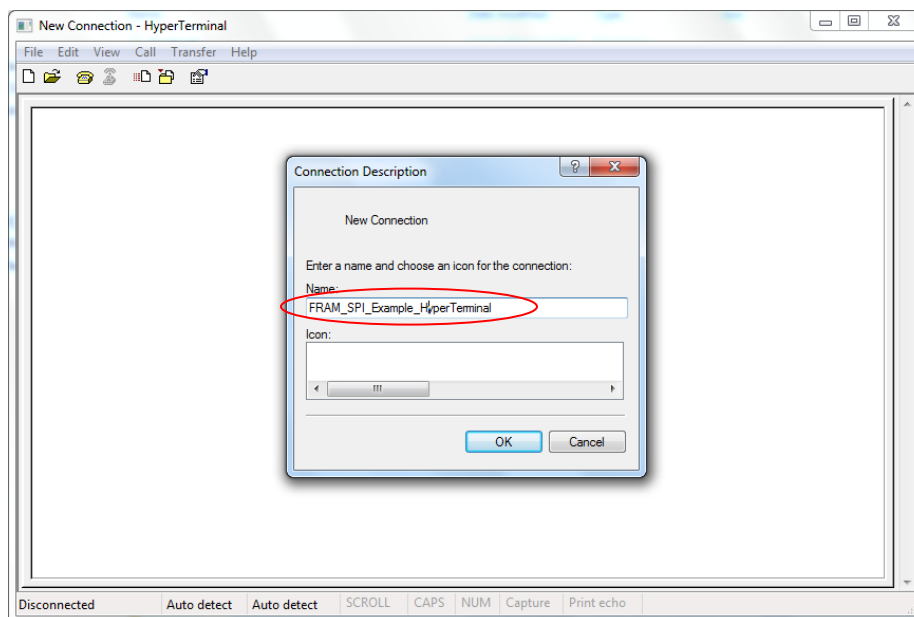


The following sections demonstrate the procedure to setup the serial connection using HyperTerminal or PuTTY on PC to communicate with the PSoC 4 Pioneer Kit.

### 5.2.1 HyperTerminal Setup

Open HyperTerminal and select **File > New Connection** and enter a “Name” for the new connection; click **OK**.

Figure 5-11. Open New Connection



1. A new window opens where the communication port can be selected.

Select the appropriate communication port "COM" (or the specific communication port that is assigned to KitProg USB-UART) in **Connect using** and click **OK** to go to the next setting for HyperTerminal.

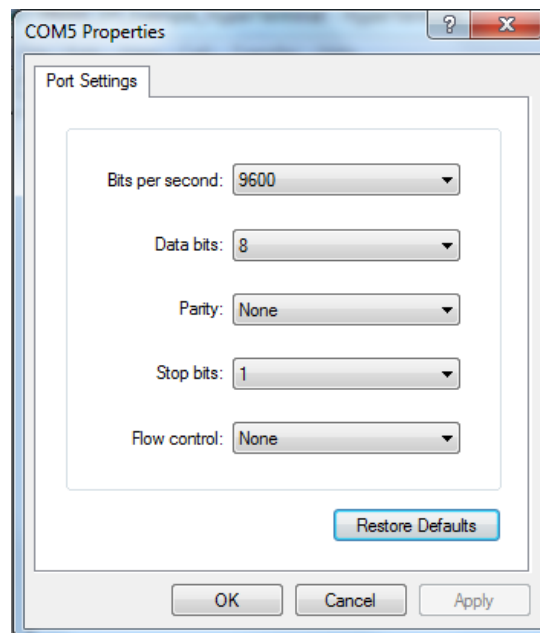
This code example uses **COM5**. Verify the COM setting for your setup and select the appropriate COMX.

Figure 5-12. Select Communication Port



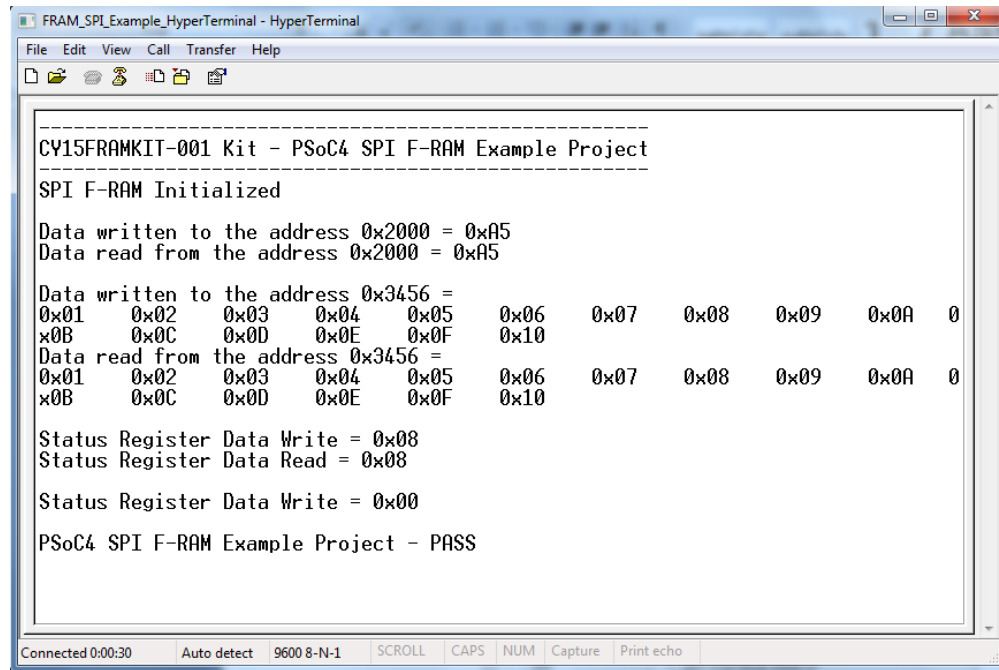
2. The **COMX Properties** window opens with the **Port Settings** tab. Click **Restore Defaults** and then configure 'Bits per second', 'Data bits', 'Parity', 'Stop bits', and 'Flow control' as shown in Figure 5-13 and click **OK**. If you change the PSoC 4 UART port setting in the example project, make sure the same setting is applied on HyperTerminal. Click **OK** to start the communication.

Figure 5-13. Configure Communication Port



3. HyperTerminal window opens to display the PSoC 4 example projects output.

Figure 5-14. Configure Communication Port

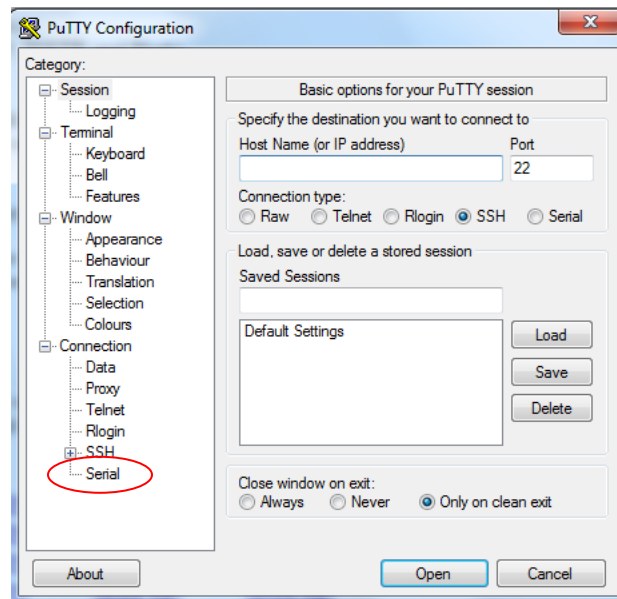


## 5.2.2 PuTTY Setup

PuTTY is a free SSH and telnet client for Windows. You can download PuTTY from [www.putty.org/](http://www.putty.org/).

1. Double-click the putty icon and select **Serial** under **Connection**.

Figure 5-15. Open New Connection

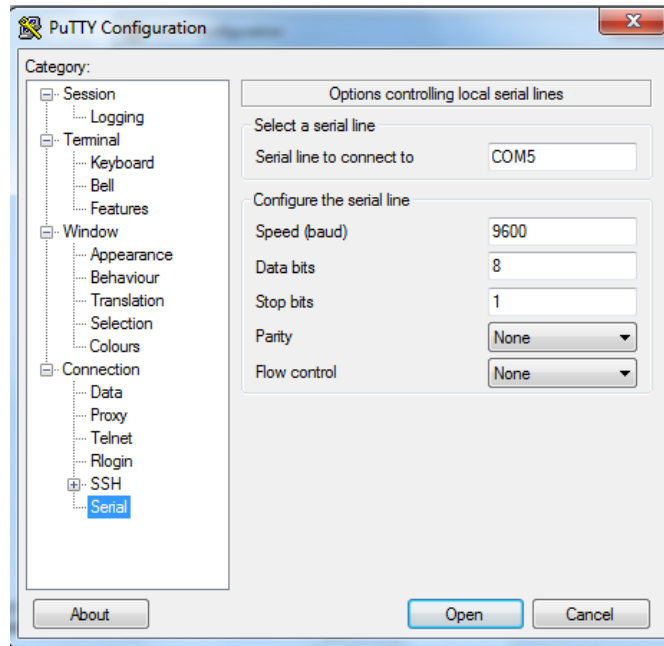


2. A new window opens where the communication port can be selected. Enter the COMX in **Serial line to connect to**. This code example uses **COM5**. Verify the COM setting for your setup and select the appropriate COMX.



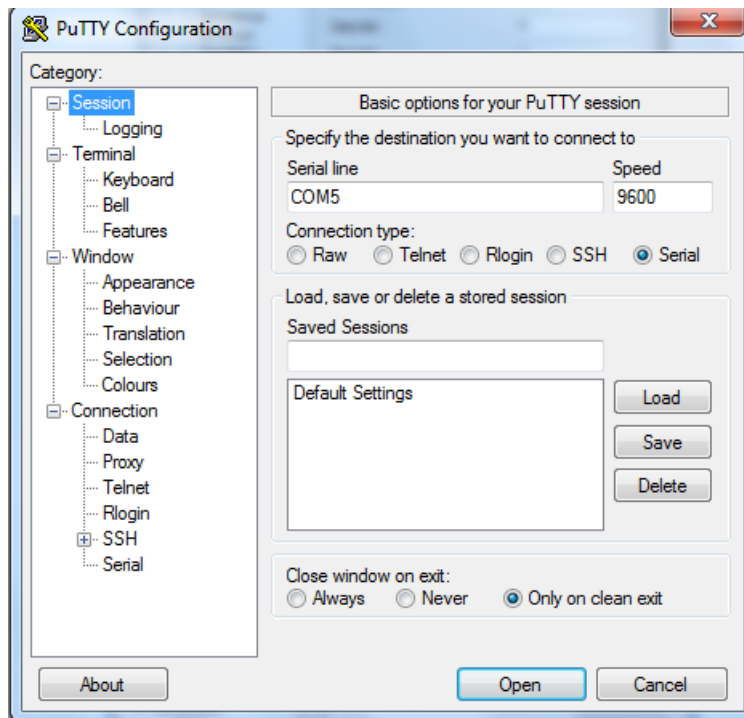
Select *Speed (baud)*, *Data bits*, *Stop bits*, *Parity*, and *Flow control* under **Configure the serial line**. Click **Session** and select **Serial** under **Connection type**.

Figure 5-16. Select and Configure Communication Port



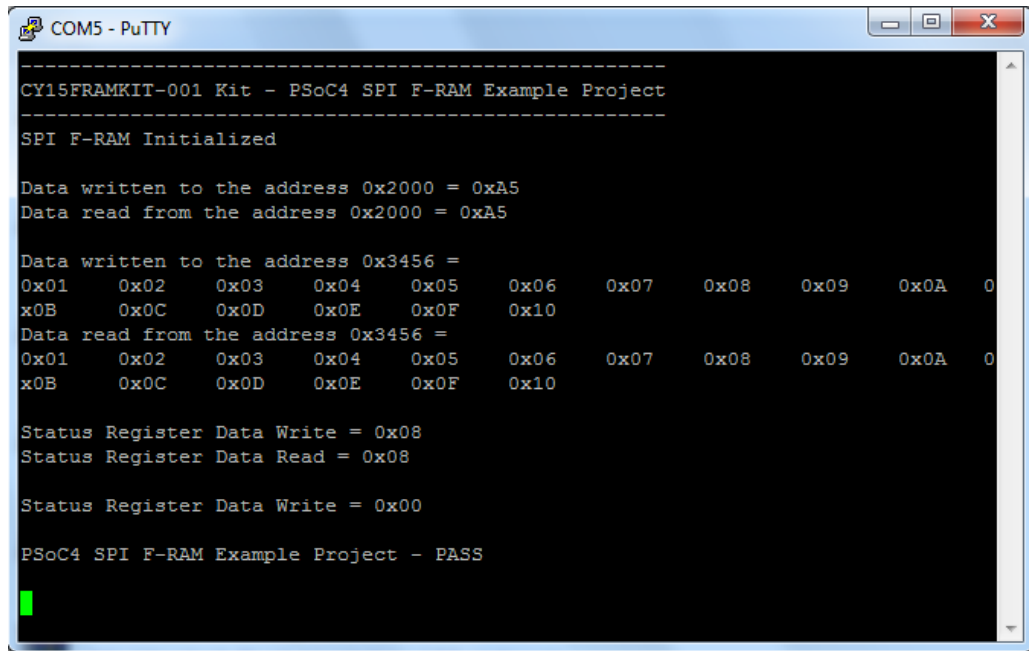
3. Select the **Session** under **Category** and set the **Communication type:** to Serial. Click **Open**.

Figure 5-17. Select Communication Type in PuTTY



4. The COM terminal software displays the data from PSoC 4. For example, the initial screen of the SPI example project is shown in [Figure 5-18](#).

Figure 5-18. Data Displayed on PuTTY



## 5.3 Project: PSoC 4 F-RAM SPI

### 5.3.1 Project Description

This example project runs on the CY8CKIT-042 PSoC 4 Pioneer Kit and provides the SPI F-RAM component and APIs to write and read F-RAM memory/status register. The example project will write to F-RAM, read from F-RAM, and indicate PASS by illuminating the RGB LED (D9) on PSoC 4 in blue. The output is also displayed on HyperTerminal through UART.

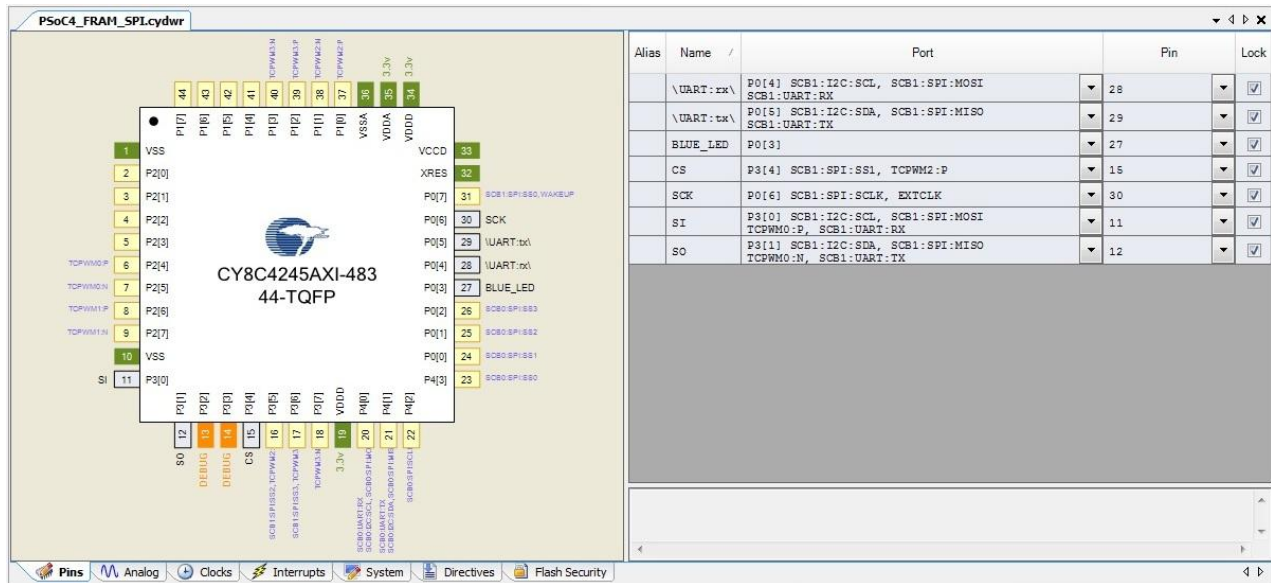
### 5.3.2 Hardware Connections

Refer to section 5.2 for UART setup. Apart from this, all other connections are hardwired on the board. Open *PSoC4\_FRAM\_SPI.cydwr* in the Workspace Explorer and select the suitable pin.

Table 5-1. PSoC 4 F-RAM SPI I/O Pin Assignment

F-RAM I/O	PSoC 4 Pin
CS#	P3_4
SI	P3_0
SO	P3_1
SCK	P0_6

Figure 5-19. PSoC 4 F-RAM SPI Example Project Pin Configuration



### 5.3.3 Firmware Flow

Following steps provide the example project firmware flow.

- Initialize the F-RAM SPI and USB-UART block.
- Wait for “Enter” key from the display (HyperTerminal / PuTTY)
- Write EXAMPLE\_DATA\_BYTE (0xA5) to EXAMPLE\_ADDR\_1 (0x2000) address.
- Read a byte from address EXAMPLE\_ADDR\_1 (0x2000) and store in the fram\_rd\_byte.
- Write EXAMPLE\_DATA\_BYTE (0xA5) to EXAMPLE\_ADDR\_1 (0x2000) address.
- Read a byte from address EXAMPLE\_ADDR\_1 (0x2000) and store in the fram\_rd\_byte variable.
- Write 16 bytes of data from data\_bytes array (1, 2, 3, ...,16) to EXAMPLE\_ADDR\_2 (0x3456) address.
- Read 16 bytes of data from EXAMPLE\_ADDR\_2 (0x3456) address through the read function.
- Write EXAMPLE\_STS\_REG\_VALUE (0x08) to the status register.
- Read the status register and store in the 'statug\_reg' variable.
- Compare the read data with the written data. If successful, glow the blue LED.
- Clear the status register.

### 5.3.4 Verify Output

The data output is shown in [Figure 5-20](#) and [Figure 5-22](#).

Figure 5-20. PSoC 4 F-RAM SPI Example Project Output - Waiting for **Enter Key** pressed by the User

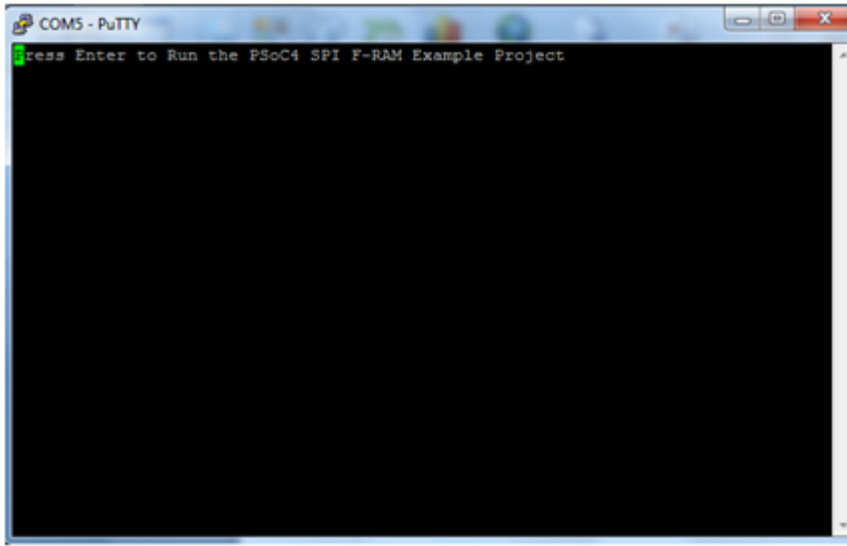
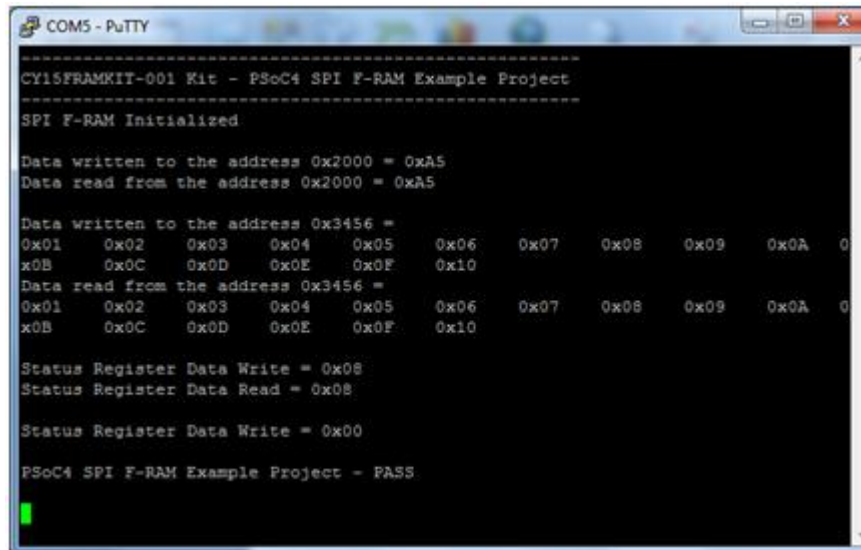


Figure 5-21. PSoC 4 F-RAM SPI Example Project Output Data



### 5.3.5 Modifying the Project

Open file **main.c** in the project under **Source Files** and change the address and data byte values by setting the variables **EXAMPLE\_ADDR\_1**, **EXAMPLE\_ADDR\_2** and **EXAMPLE\_DATA\_BYTE** shown in [Figure 5-22](#). For example change: **0x2000** to **0x1200**, **0x3456** to **0x1600**, **0xA5** to **0x5A**.

Figure 5-22. Snapshot of **main.c** Source File

```

PSoc4_FRAM_SPI.cydw main.c
20  * IMPLIED WARRANTIES OF MERCHANTABILITY AND FITNESS FOR A PARTICULAR PURPOSE.
21  *****
22  #include <device.h>
23  #include <stdio.h>
24  #include "FRAM_SPI.h"
25
26  // Size of data buffer
27  #define BUFFER_SIZE      (16u)
28
29  #define STRING_SIZE      (50u)
30
31  // Example F-RAM Address
32  #define EXAMPLE_ADDR_1   (0x2000)
33
34  // Example F-RAM Address
35  #define EXAMPLE_ADDR_2   (0x3456)
36
37  // Example F-RAM Data
38  #define EXAMPLE_DATA_BYTE (0xa5)
39

```

Also the user can change the burst write data shown in Figure 5-23. For example, change **i+1** to **i+3** at line 83 will initialize the input data from 0x03 – 0x13.

Figure 5-23. Snapshot of **main.c** source file for initializing input data buffer

```

79      // Initialization of variables
80      for(i = 0; i < BUFFER_SIZE; i++)
81      {
82          fram_rd data[i] = 0;
83          data_bytes[i] = i+1;
84      }
--

```

Build the project with the above changes and program the Pioneer kit. The output will show the data **0x5a** written to address **0x1200** and data **0x03 – 0x13** written from address **0x1600** as shown in Figure 5-24. APIs provided in the next section can be used to build different applications.

Figure 5-24. Modified SPI F-RAM Project Output

```

COM5 - PuTTY
-----
CY15FRAMKIT-001 Kit - PSoC4 SPI F-RAM Example Project
-----
SPI F-RAM Initialized

Data written to the address 0x2000 = 0xA5
Data read from the address 0x2000 = 0xA5

Data written to the address 0x3456 =
0x03  0x04  0x05  0x06  0x07  0x08  0x09  0x0A  0x0B  0x0C  0
x0D  0x0E  0x0F  0x10  0x11  0x12
Data read from the address 0x3456 =
0x03  0x04  0x05  0x06  0x07  0x08  0x09  0x0A  0x0B  0x0C  0
x0D  0x0E  0x0F  0x10  0x11  0x12

Status Register Data Write = 0x08
Status Register Data Read = 0x08

Status Register Data Write = 0x00

PSoC4 SPI F-RAM Example Project - PASS

```

## 5.3.6 APIs

### 5.3.6.1 void FRAM\_SPI\_Init(void)

Description: Initializes the SPI block.  
Parameters: None  
Return Value: None  
Side Effects: None

### 5.3.6.2 uint8 FRAM\_SPI\_Write(uint32 addr, uint8 data\_write)

Description: Write a single byte of data to F-RAM.  
Parameters: uint32 addr: 32 bit F-RAM address for write.  
uint8 data\_write: data byte to be written.  
Return Value: uint8: 0 - Communication Error  
1 - Success  
Side Effects: None

### 5.3.6.3 uint8 FRAM\_SPI\_Read(uint32 addr, uint8 \*data\_read)

Description: Read a byte of data from F-RAM.  
Parameters: uint32 addr : 32 bit F-RAM address for read  
uint8 \*data\_read. : 8 bit pointer variable to hold data  
Return Value: uint8: 0 - Communication Error  
1 - Success  
Side Effects: None

### 5.3.6.4 uint8 FRAM\_SPI\_BurstWrite(uint32 addr, uint8 \*data\_write\_ptr, uint32 total\_data\_count)

Description: Write total\_data\_count number of data into F-RAM.  
Parameters: uint32 addr: 32 bit F-RAM address for write.  
uint8 \*data\_write\_ptr: Pointer to an array of data bytes to be written.  
uint32 total\_data\_count: Number of data bytes to be written.  
Return Value: uint8: 0 - Communication Error  
1 - Success  
Side Effects: None

### 5.3.6.5 uint8 FRAM\_SPI\_BurstRead(uint32 addr, uint8 \*data\_read\_ptr, uint32 total\_data\_count )

Description: Read total\_data\_count number of data from F-RAM.  
Parameters: uint32 addr : 32 bit F-RAM address for read.  
uint8 \*data\_read\_ptr: Pointer to an array for storing data bytes.  
uint32 total\_data\_count: Number of data bytes to be read.  
Return Value: uint8: 0 - Communication Error

1 – Success

Side Effects: None

### 5.3.6.6 uint8 FRAM\_SPI\_Status\_Reg\_Write (uint8 data\_byte)

Description: F-RAM Status Register Write

Parameters: uint8 data\_byte -> 1 byte status register data to be written

Return Value: uint8: 0 – Communication Error

1 – Success

Side Effects: None

### 5.3.6.7 uint8 FRAM\_SPI\_Status\_Reg\_Read (uint8 \* status)

Description: F-RAM Status Register Read

Parameters: uint8 \* status : pointer to hold status register value

Return Value: uint8: 0 – Communication Error

1 – Success

Side Effects: None

## 5.4 Project: PSoC 4 F-RAM I<sup>2</sup>C

### 5.4.1 Project Description

This example project runs on the CY8CKIT-042 PSoC 4 Pioneer Kit and provides the I<sup>2</sup>C F-RAM component and APIs to write and read F-RAM memory. The example project will write to F-RAM, read from F-RAM, and indicate PASS by illuminating the RGB LED (D9) on PSoC 4 in blue. The output is also displayed on HyperTerminal through UART.

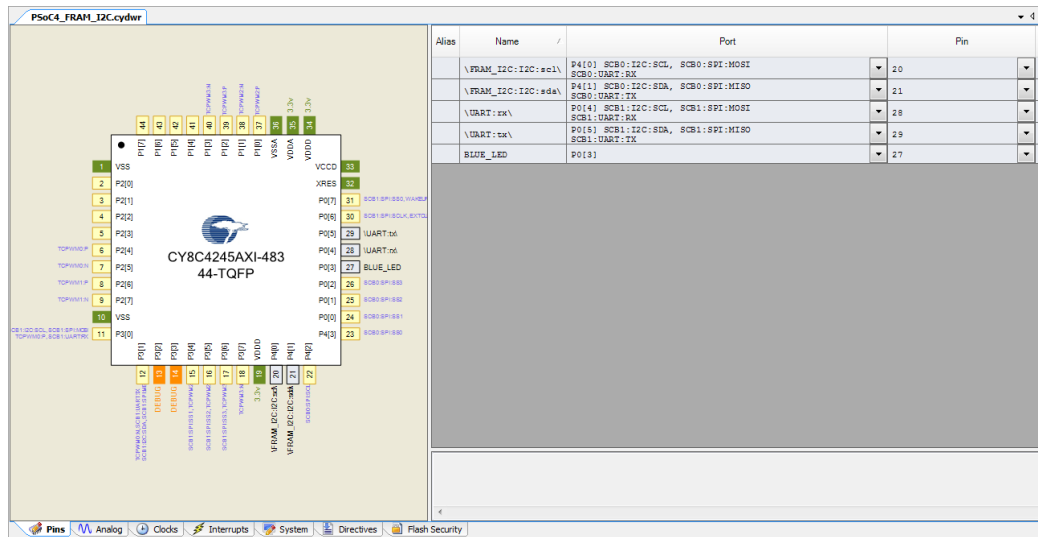
### 5.4.2 Hardware Connections

Refer to section 5.2 for UART setup. Apart from this, all other connections are hardwired on the board. Open *PSoC4\_FRAM\_I2C.cydwr* in the Workspace Explorer and select the suitable pin.

Table 5-2. PSoC 4 F-RAM I<sup>2</sup>C I/O Pin Assignment

F-RAM I/O	PSoC 4 Pin
SDA	P4_1
SCL	P4_0

Figure 5-25. PSoC 4 F-RAM I<sup>2</sup>C Example Project Pin Configuration



### 5.4.3 Firmware Flow

Following steps provide the example project firmware flow.

- Init the F-RAM I<sup>2</sup>C and USB-UART blocks.
- Write EXAMPLE\_DATA\_BYTE (0xA5) to EXAMPLE\_ADDR\_1 (0x2000) address.
- Read a byte from address EXAMPLE\_ADDR\_1 (0x2000) and store in the fram\_rd\_byte variable.
- Write 16 bytes of data from data\_bytes array (1, 2, 3, ...,16) to EXAMPLE\_ADDR\_2 (0x3456) address.
- Read 15 bytes of data from EXAMPLE\_ADDR\_2 (0x3456) address through the random read function.
- Read the sixteenth byte through the current read function.
- Compare the read data with the written data and illuminate the blue LED if read is PASS.

### 5.4.4 Verify Output

The RGB LED illuminates in blue if the read passes. If read fails, the RGB LED will not glow. The data output is shown in Figure 5-26 and Figure 5-27.

Figure 5-26. PSoC 4 F-RAM I<sup>2</sup>C Example Project Output - Waiting for **Enter Key** pressed by the User

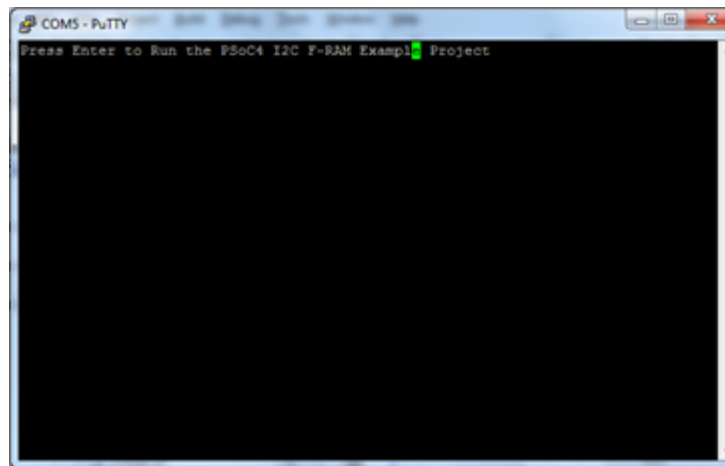
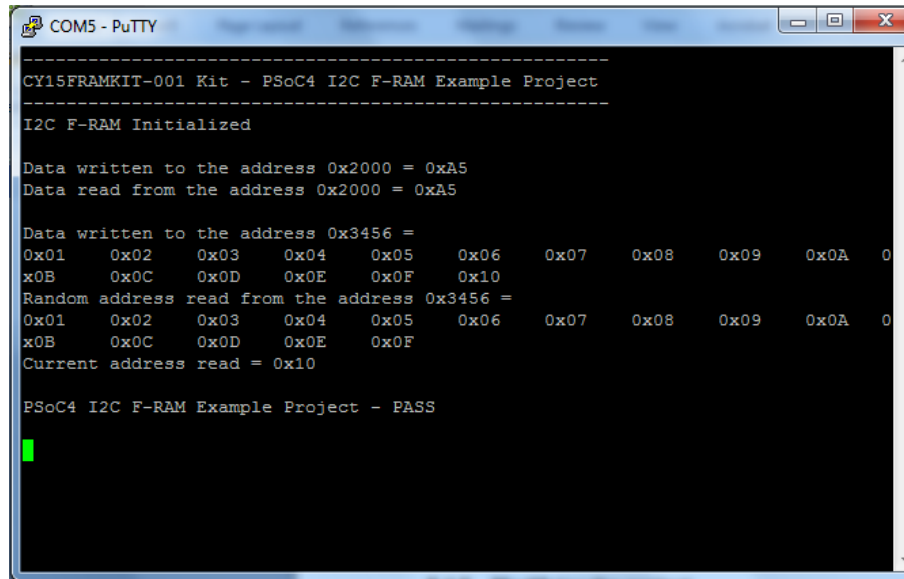




Figure 5-27. PSoC 4 F-RAM I<sup>2</sup>C Example Project Output Data



```

COM5 - PuTTY
-----
CY15FRAMKIT-001 Kit - PSoC4 I2C F-RAM Example Project
-----
I2C F-RAM Initialized

Data written to the address 0x2000 = 0xA5
Data read from the address 0x2000 = 0xA5

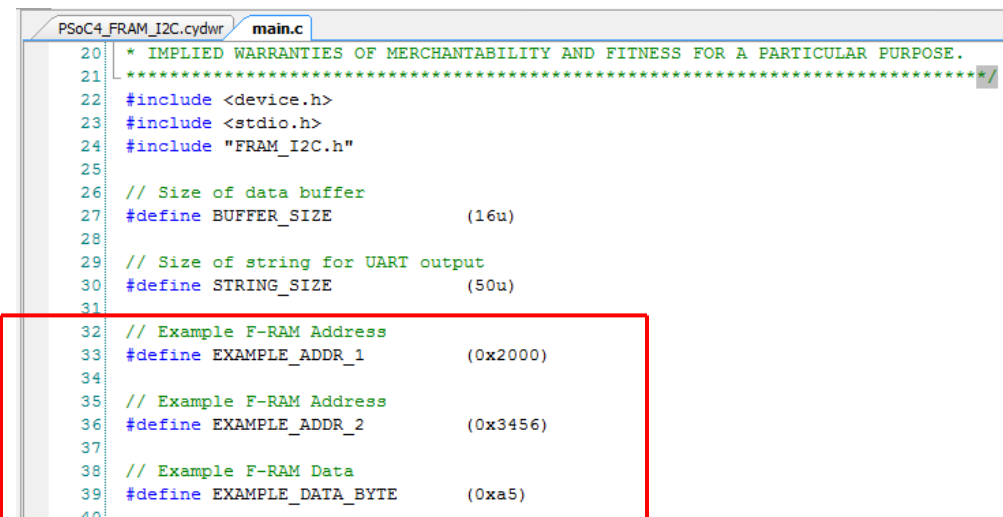
Data written to the address 0x3456 =
0x01 0x02 0x03 0x04 0x05 0x06 0x07 0x08 0x09 0x0A 0
0xB 0x0C 0x0D 0x0E 0x0F 0x10
Random address read from the address 0x3456 =
0x01 0x02 0x03 0x04 0x05 0x06 0x07 0x08 0x09 0x0A 0
0xB 0x0C 0x0D 0x0E 0x0F
Current address read = 0x10

PSoC4 I2C F-RAM Example Project - PASS
  
```

### 5.4.5 Modifying the Project

Open **main.c** in the project under **Source Files** and change the values of **EXAMPLE\_ADDR\_1**, **EXAMPLE\_ADDR\_2** and **EXAMPLE\_DATA\_BYTE** shown in Figure 5-28. For example change **0x2000** to **0x1200**, **0x3456** to **0x1600**, **0xa5** to **0x5a**

Figure 5-28. Snapshot of **main.c** source file

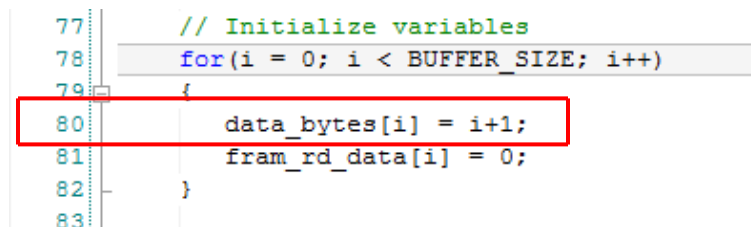


```

PSoc4_FRAM_I2C.cydwr main.c
20 * IMPLIED WARRANTIES OF MERCHANTABILITY AND FITNESS FOR A PARTICULAR PURPOSE.
21 *****
22 #include <device.h>
23 #include <stdio.h>
24 #include "FRAM_I2C.h"
25
26 // Size of data buffer
27 #define BUFFER_SIZE (16u)
28
29 // Size of string for UART output
30 #define STRING_SIZE (50u)
31
32 // Example F-RAM Address
33 #define EXAMPLE_ADDR_1 (0x2000)
34
35 // Example F-RAM Address
36 #define EXAMPLE_ADDR_2 (0x3456)
37
38 // Example F-RAM Data
39 #define EXAMPLE_DATA_BYTE (0xa5)
40
  
```

Also the user can change the burst write data shown in Figure 5-29. For example, change **i+1** to **i+3** at line 80 will initialize the input data from 0x03-0x13.

Figure 5-29. Snapshot of **main.c** source file for initializing input data buffer

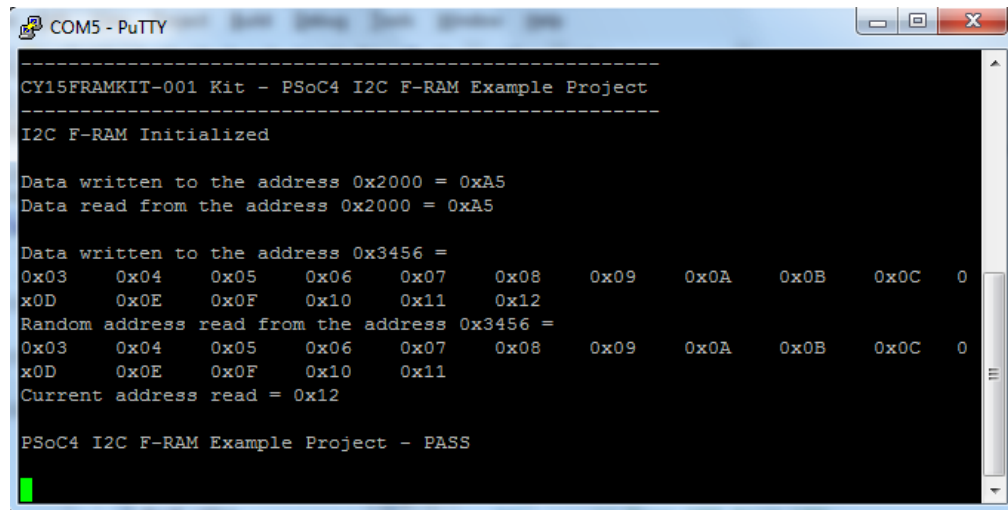


```

77 // Initialize variables
78 for(i = 0; i < BUFFER_SIZE; i++)
79 {
80     data_bytes[i] = i+1;
81     fram_rd_data[i] = 0;
82 }
83
  
```

With these changes, build the project and program the kit. Output will show the data **0x5a** written to address **0x1200** and data **0x03 – 0x13** written from address **0x1600** as shown in [Figure 5-30](#). APIs provided in the next section can be used to build different applications.

Figure 5-30. Modified I<sup>2</sup>C F-RAM Project Output



```

-----
CY15FRAMKIT-001 Kit - PSoC4 I2C F-RAM Example Project
-----
I2C F-RAM Initialized

Data written to the address 0x2000 = 0xA5
Data read from the address 0x2000 = 0xA5

Data written to the address 0x3456 =
0x03  0x04  0x05  0x06  0x07  0x08  0x09  0x0A  0x0B  0x0C  0
x0D  0x0E  0x0F  0x10  0x11  0x12
Random address read from the address 0x3456 =
0x03  0x04  0x05  0x06  0x07  0x08  0x09  0x0A  0x0B  0x0C  0
x0D  0x0E  0x0F  0x10  0x11
Current address read = 0x12

PSoC4 I2C F-RAM Example Project - PASS
  
```

## 5.4.6 APIs

The following APIs are defined for the PSoC 4 F-RAM I<sup>2</sup>C. These APIs are the same for Arduino as well.

### 5.4.6.1 void FRAM\_I2C\_Init(void)

Description:        Initializes the I2C block.  
 Parameters:        None  
 Return Value:       None  
 Side Effects:       None

### 5.4.6.2 uint32 FRAM\_I2C\_Write (uint8 slave\_id, uint32 addr, uint8 \*data\_write\_ptr, uint32 total\_data\_count)

Description:        Write total\_data\_count number of data into F-RAM specified by slave\_id.  
 Parameters:        uint8 : 7 bit Slave ID  
                       uint32 addr: 32 bit F-RAM address for write.  
                       uint8 \*data\_write\_ptr: Pointer to an array of data bytes to be written.  
                       uint32 total\_data\_count: Number of data bytes to be written.

Return Value:       For PSoC 4,  
                       uint32 : Error Status

FRAM_I2C_MSTR_NO_ERROR	-- (0x00u)
FRAM_I2C_MSTR_ERR_ARB_LOST	-- (0x01u)
FRAM_I2C_MSTR_ERR_LB_NAK	-- (0x02u)
FRAM_I2C_MSTR_NOT_READY	-- (0x04u)
FRAM_I2C_MSTR_BUS_BUSY	-- (0x08u)
FRAM_I2C_MSTR_ERR_ABORT_START	-- (0x10u)

```

FRAM_I2C_MSTR_ERR_BUS_ERR      -- (0x100u)
FRAM_I2C_MSTR_ERR              -- (0xFFu)

```

For Arduino UNO,

uint32 : Error Status

```

Success                          -- (0x00u)
Data too long to fit in transmit buffer  -- (0x01u)
Received NACK on transmit of address  -- (0x02u)
Received NACK on transmit of data     -- (0x03u)
Other error                        -- (0x04u)

```

Side Effects: None

#### 5.4.6.3 uint32 FRAM\_I2C\_Current\_Read (uint8 slave\_id, uint8 \*data\_read\_ptr, uint32 total\_data\_count)

Description: Read total\_data\_count number of data from the current address of the F-RAM specified by slave\_id.

Parameters: uint8 : 7 bit Slave ID

uint8 \*data\_read\_ptr: Pointer to an array for storing data bytes.

uint32 total\_data\_count: Number of data bytes to be read.

Return Value: For PSoC 4

uint32 : Error Status

```

FRAM_I2C_MSTR_NO_ERROR          -- (0x00u)
FRAM_I2C_MSTR_ERR_ARB_LOST     -- (0x01u)
FRAM_I2C_MSTR_ERR_LB_NAK      -- (0x02u)
FRAM_I2C_MSTR_NOT_READY       -- (0x04u)
FRAM_I2C_MSTR_BUS_BUSY        -- (0x08u)
FRAM_I2C_MSTR_ERR_ABORT_START  -- (0x10u)
FRAM_I2C_MSTR_ERR_BUS_ERR     -- (0x100u)
FRAM_I2C_MSTR_ERR             -- (0xFFu)

```

For Arduino UNO, returns the number of bytes read

Side Effects: None

#### 5.4.6.4 uint32 FRAM\_I2C\_Random\_Read (uint8 slave\_id, uint32 addr, uint8 \*data\_read\_ptr, uint32 total\_data\_count)

Description: Read total\_data\_count number of data from F-RAM specified by slave\_id.

Parameters: uint8 : 7 bit Slave ID

uint32 addr: 32 bit F-RAM address for read.

uint8 \*data\_read\_ptr: Pointer to an array for storing data bytes.

uint32 total\_data\_count: Number of data bytes to be read.

Return Value: For PSoC 4

uint32 : Error Status

```

FRAM_I2C_MSTR_NO_ERROR          -- (0x00u)

```

```

FRAM_I2C_MSTR_ERR_ARB_LOST -- (0x01u)
FRAM_I2C_MSTR_ERR_LB_NAK   -- (0x02u)
FRAM_I2C_MSTR_NOT_READY   -- (0x04u)
FRAM_I2C_MSTR_BUS_BUSY    -- (0x08u)
FRAM_I2C_MSTR_ERR_ABORT_START -- (0x10u)
FRAM_I2C_MSTR_ERR_BUS_ERR  -- (0x100u)
FRAM_I2C_MSTR_ERR         -- (0xFFu)

```

For Arduino UNO, returns the number of bytes read

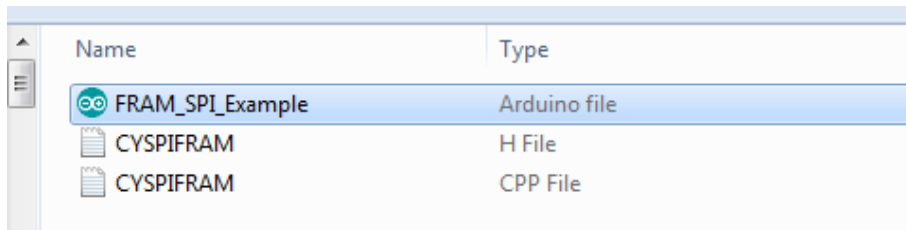
Side Effects: None

## 5.5 Programming Arduino UNO Kit

Follow these steps to program the Arduino example projects (Arduino\_FRAM\_SPI project is shown here):

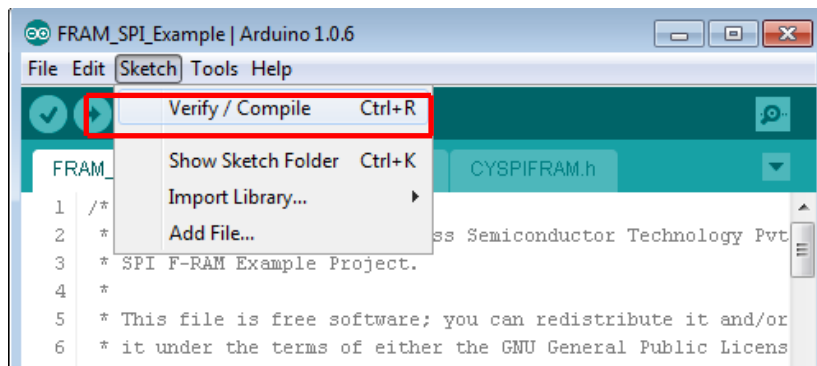
1. Install Arduino IDE. You can download Arduino IDE software from the Arduino webpage: <http://arduino.cc/en/Main/Software>.
2. Open the “Arduino\_FRAM\_SPI” project folder and double-click the **FRAM\_SPI\_Example.ino** file.

Figure 5-31. Arduino Project File Open



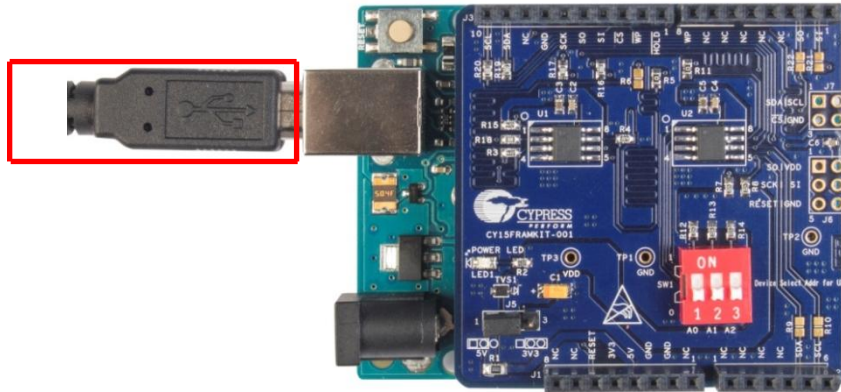
3. Compile the code example by clicking **Sketch > Verify / Compile**. At the end of successful compiling, the IDE displays the status “Done compiling.” and generates a binary sketch.

Figure 5-32. Compile the Arduino Project



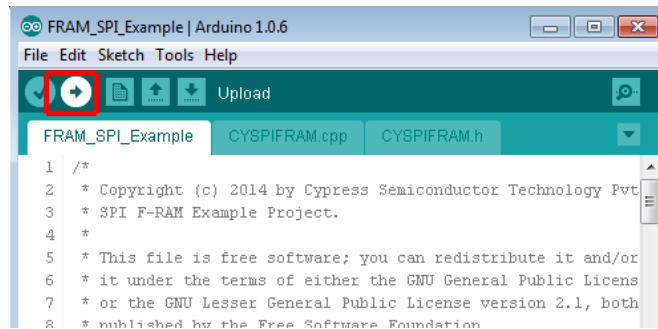
4. To program the Arduino UNO kit, connect the PC to the Arduino board via USB port using an Arduino UNO compatible USB cable as shown in Figure 5-33. Because Arduino UNO kits operate at 5 V, ensure that the power select jumper (J5) on the CY15FRAMKIT-001 is placed between pin 1 and pin 2 for 5 V operations.

Figure 5-33. CY15FRAMKIT-001 mounted on Arduino UNO R3 Kit



5. Load the binary sketch file by clicking the **Upload** button.

Figure 5-34. Program the Arduino UNO R3 Kit



## 5.6 Project: Arduino F-RAM SPI

### 5.6.1 Project Description

This example project runs on the Arduino UNO board and provides SPI APIs to write and read F-RAM memory/status register. The example project will write to F-RAM, read from F-RAM, and display the results in serial output window.

### 5.6.2 Hardware Connections

No additional hardware connection is required for this project because all connections are hardwired on the board. The Arduino SPI library uses the following pins by default.

Table 5-3. Arduino F-RAM SPI I/O Pin Assignment

F-RAM I/O	Arduino Pin
CS#	D10
SI	D11
SO	D12
SCK	D13

### 5.6.3 Firmware Flow

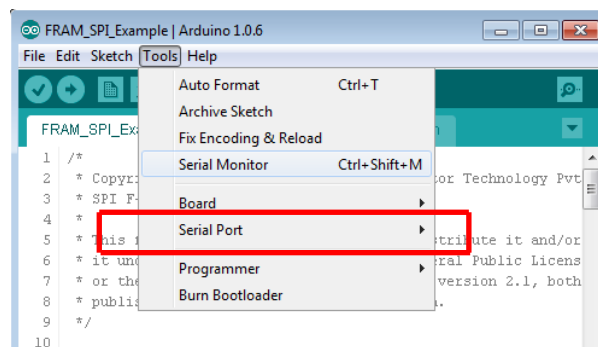
Following steps provide the example project firmware flow.

- a. Initialize the F-RAM SPI.
- b. Write EXAMPLE\_DATA\_BYTE (0xA5) to EXAMPLE\_ADDR\_1 (0x2000) address. Display the written data on serial output.
- c. Read a byte from address EXAMPLE\_ADDR\_1 (0x2000) and store in the fram\_rd\_byte variable. Display the read data on serial output.
- d. Write EXAMPLE\_DATA\_BYTE (0xA5) to EXAMPLE\_ADDR\_1 (0x2000) address. Display the written data on serial output.
- e. Read a byte from address EXAMPLE\_ADDR\_1 (0x2000) and store in the fram\_rd\_byte variable. Display the read data on serial output.
- f. Compare the written and read data and display the result (PASS/FAIL) on serial output.
- g. Write 16 bytes of data from data\_bytes array (1, 2, 3, ...,16) to EXAMPLE\_ADDR\_2 (0x3456) address.
- h. Read 16 bytes of data from EXAMPLE\_ADDR\_2 (0x3456) address through the read function.
- i. Compare the written and read data and display the result (PASS/FAIL) on serial output.
- j. Write EXAMPLE\_STS\_REG\_VALUE (0x08) to the status register.
- k. Read the status register and store in the 'statug\_reg' variable.
- l. Compare the written and read data and display the result (PASS/FAIL) on serial output.
- m. Clear the status register.

### 5.6.4 Verify Output

Open **Tools >Serial Port** and select the appropriate COM port for communication as shown in [Figure 5-35](#).

Figure 5-35. Serial Port in Arduino IDE



Open **Tools > Serial Monitor** to view the serial output as shown in [Figure 5-36](#) and [Figure 5-37](#).

Figure 5-36. Serial Monitor in Arduino IDE

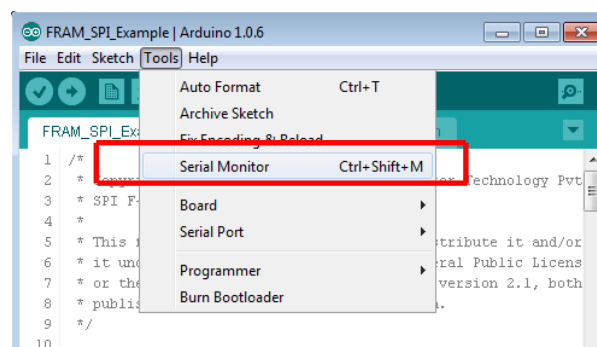


Figure 5-37. Serial Monitor Output for SPI F-RAM Project

```

COM20
F-RAM SPI Example Project Start
1. Write Data A5
2. Read Data A5
Write-Read : PASS
3. Write Data Array
1 2 3 4 5 6 7 8 9 A B C D E F 10
4. Read Data Array
1 2 3 4 5 6 7 8 9 A B C D E F 10
Write-Read : PASS
5. Status Register Write 8
6. Status Register Read 8
Status Register Write-Read : PASS
F-RAM SPI Example Project End

```

## 5.6.5 APIs

### 5.6.5.1 void FRAM\_SPI\_Init()

Description: Initializes the SPI library

Parameters: None

Return Value: None

Side Effects: None

### 5.6.5.2 void FRAM\_SPI\_Write(uint32 addr, uint8 data\_write)

Description: Write a single byte of data to F-RAM.

Parameters: uint32 addr: 32 bit F-RAM address for write.  
uint8 data\_write: data byte to be written.

Return Value: None

Side Effects: None

### 5.6.5.3 uint8 FRAM\_SPI\_Read(uint32 addr)

Description: Read a byte of data from F-RAM.

Parameters: uint32 addr : 32 bit F-RAM address for read.

Return Value: uint8 : data read

Side Effects: None

### 5.6.5.4 void FRAM\_SPI\_BurstWrite(uint32 addr, uint8 \*data\_write\_ptr, uint32 total\_data\_count)

Description: Write total\_data\_count number of data into F-RAM.

Parameters: uint32 addr: 32 bit F-RAM address for write.  
uint8 \*data\_write\_ptr: Pointer to an array of data bytes to be written.  
uint32 total\_data\_count: Number of data bytes to be written.

Return Value: None

Side Effects: None



**5.6.5.5 void FRAM\_SPI\_BurstRead(uint32 addr, uint8 \*data\_read\_ptr, uint32 total\_data\_count )**

Description: Read total\_data\_count number of data from F-RAM.  
 Parameters: uint32 addr : 32 bit F-RAM address for read.  
 uint8 \*data\_read\_ptr: Pointer to an array for storing data bytes.  
 uint32 total\_data\_count: Number of data bytes to be read.  
 Return Value: None  
 Side Effects: None

**5.6.5.6 void FRAM\_SPI\_Status\_Reg\_Write (uint8 data\_byte)**

Description: F-RAM Status Register Write  
 Parameters: uint8 data\_byte -> 1 byte Status register data to be written  
 Return Value: None  
 Side Effects: None

**5.6.5.7 uint8 FRAM\_SPI\_Status\_Reg\_Read (void)**

Description: F-RAM Status Register Read  
 Parameters: None  
 Return Value: uint8: 1 byte status register data  
 Side Effects: None

## 5.7 Project: Arduino F-RAM I<sup>2</sup>C

### 5.7.1 Project Description

This example project runs on Arduino UNO board and provides I<sup>2</sup>C APIs to write and read from F-RAM memory. The example project will write to F-RAM, read from F-RAM, and display the results in serial output window.

### 5.7.2 Hardware Connections

No additional hardware connection is required for this project because all connections are hardwired on the board. The Arduino WIRE library (I<sup>2</sup>C) uses the following pins by default.

Table 5-4. Arduino F-RAM I<sup>2</sup>C I/O Pin Assignment

F-RAM I/O	Arduino Pin
SDA	A4
SCL	A5

### 5.7.3 Firmware Flow

Following steps provide the example project firmware flow.

- a. Initialize F-RAM I<sup>2</sup>C and provide startup delay.
- b. Write EXAMPLE\_DATA\_BYTE (0xA5) to EXAMPLE\_ADDR\_1 (0x2000) address.
- c. Read a byte from address EXAMPLE\_ADDR\_1 (0x2000) and store in the fram\_rd\_byte variable. Display the read data on serial output.
- d. Compare the written and read data and display the result (PASS/FAIL) on serial output.

- e. Write 16 bytes of data from data\_bytes array (1, 2, 3, ...,16) to EXAMPLE\_ADDR\_2 (0x3456) address.
- f. Read 15 bytes of data from EXAMPLE\_ADDR\_2 (0x3456) address through the random read function.
- g. Read the sixteenth byte through the current read function.
- h. Compare the written and read data and display the result (PASS/FAIL) on serial output.

### 5.7.4 Verify Output

Open **Tools** → **Serial Monitor** to view serial output as shown in [Figure 5-38](#).

Figure 5-38. Serial Monitor Output for I<sup>2</sup>C F-RAM Project



```

COM20

F-RAM I2C Example Project Start
-----

1. Write Data
A5

2. Read Data
No. of bytes Read : 1
Data : A5
Write-Read : PASS

3. Write Data Array
1   2   3   4   5   6   7   8   9   A   B   C   D   E   F   10

4. Read Data Array
1   2   3   4   5   6   7   8   9   A   B   C   D   E   F   10
Write-Read : PASS

-----
F-RAM I2C Example Project End
  
```

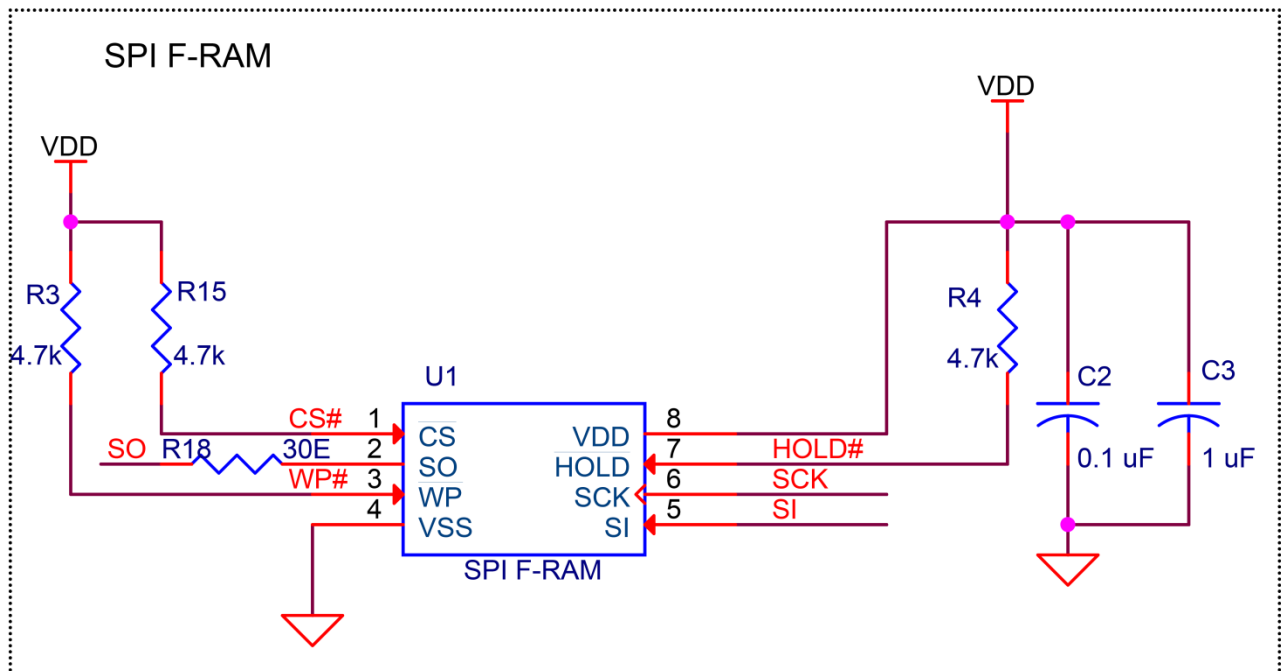
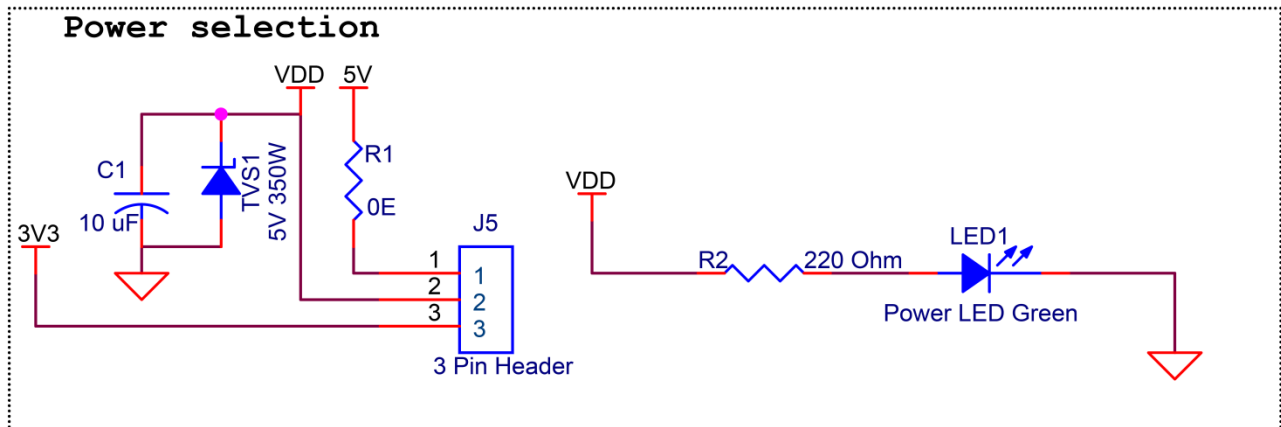
### 5.7.5 APIs

The API description is the same as for the PSoC 4 I2C F-RAM. Refer to section 5.4.6

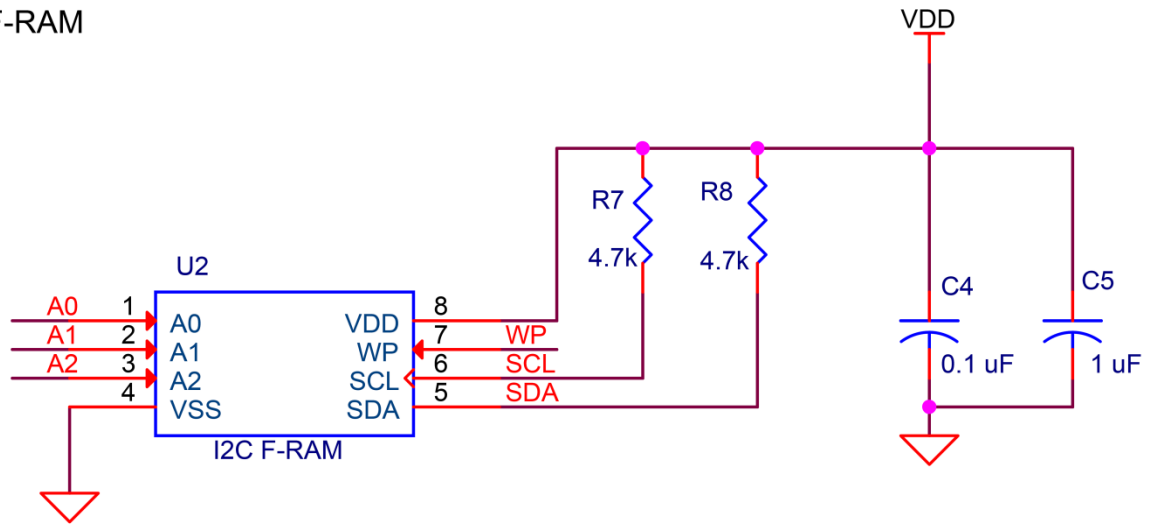
# Appendix



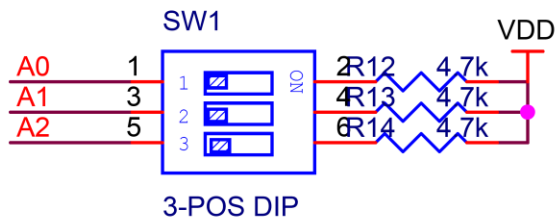
## A.1 CY15FRAMKIT-001 Schematics



### I2C F-RAM

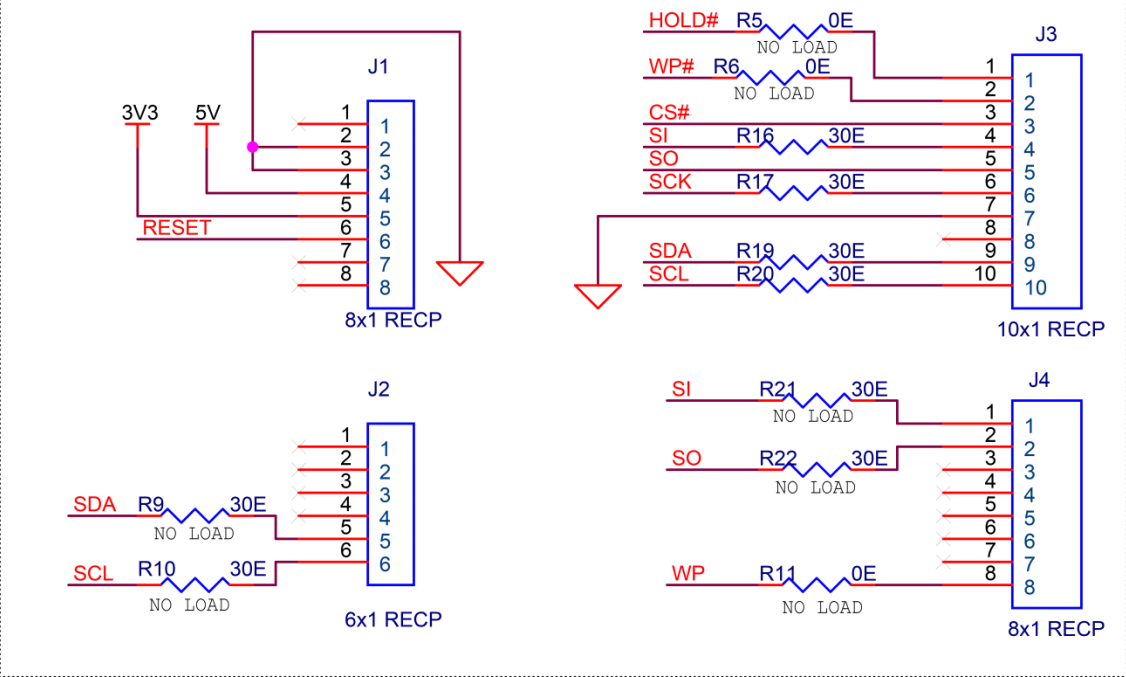


### I2C F-RAM Device Select Address

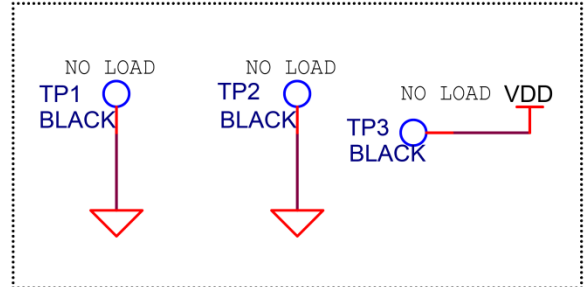
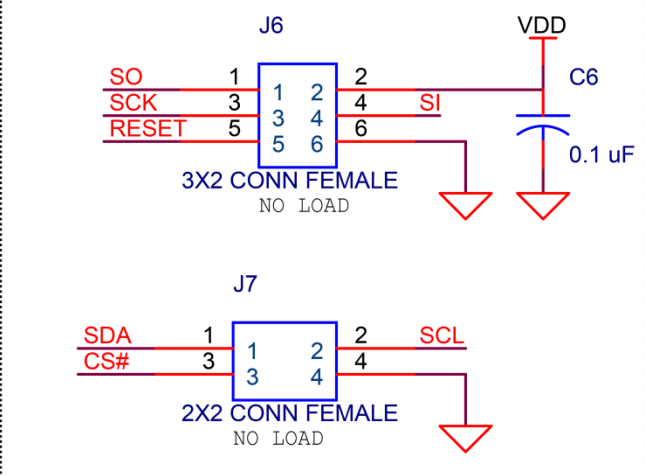


By default, A0, A1, A2 are pulled down internally

(J1-J4) Arduino Compatible Headers



Debug Header



## A.2 Pin Assignment Table

This section provides the pin map of the headers and their usage.

### Arduino Compatible Headers (J1, J2, J3, J4)

J1			
Pin	Arduino Signal	PSoC 4 Pioneer Kit Signals	CY15FRAMKIT-001 Kit Signals
J1_1	VIN	VIN	NC
J1_2	GND	GND	GND
J1_3	GND	GND	GND
J1_4	5V	V5.0	5V
J1_5	3.3V	V3.3	3V3
J1_6	RESET#	RESET#	RESET#
J1_7	IOREF	P4_VDD	NC
J1_8	NC	NC	NC

J2			
Pin	Arduino Signals	PSoC 4 Pioneer Kit Signals	CY15FRAMKIT-001 Kit Signals
J2_1	A0	P2[0]	NC
J2_2	A1	P2[1]	NC
J2_3	A2	P2[2]	NC
J2_4	A3	P2[3]	NC
J2_5	A4 /SDA (I <sup>2</sup> C)	P2[4]	SDA
J2_6	A5/SCL (I <sup>2</sup> C)	P2[5]	SCL

J3			
Pin	Arduino Signals	PSoC 4 Pioneer Kit Signals	CY15FRAMKIT-001 Kit Signals
J3_1	D8	P2[6]	HOLD# (SPI F-RAM)
J3_2	D9 (PWM)	P3[6]	WP# (SPI F-RAM)
J3_3	D10 (PWM/SS)	P3[4] / CS (SCB1)	CS# (SPI F-RAM)
J3_4	D11 (PWM / MOSI)	P3[0] / MOSI (SCB1)	SI
J3_5	D12 (MISO)	P3[1] / MISO (SCB1)	SO
J3_6	D13 (SCK)	P0[6] / SCK (SCB1)	SCK

J3			
Pin	Arduino Signals	PSoC 4 Pioneer Kit Signals	CY15FRAMKIT-001 Kit Signals
J3_7	GND	GND	GND
J3_8	AREF	P1[7]	NC
J3_9	SDA	P4[1] / SDA (SCB0)	SDA
J3_10	SCL	P4[0] / SCL (SCB0)	SCL

J4			
Pin	Arduino Signals	PSoC 4 Pioneer Kit Signals	CY15FRAMKIT-001 Kit Signals
J4_1	D0 (UART RX)	P0[4] / SCL (SCB1)	NC
J4_2	D1 (UART TX)	P0[5] / SDA (SCB1)	NC
J4_3	D2	P0[7]	NC
J4_4	D3 (PWM)	P3[7]	NC
J4_5	D4	P0[0]	NC
J4_6	D5 (PWM)	P3[5]	NC
J4_7	D6 (PWM)	P1[0]	NC
J4_8	D7	P2[7]	WP (I <sup>2</sup> C F-RAM)

### A.3 Debug Header I/Os

J6	
Pin	Debug Signals
J6_1	SO
J6_2	VDD
J6_3	SCK
J6_4	SI
J6_5	RESET#
J6_6	GND

J7	
Pin	Debug Signals
J7_1	SDA



J7	
Pin	Debug Signals
J7_2	SCL
J7_3	CS#
J7_4	GND

#### A.4 Use of Zero-ohm Resistors and No Load

Unit	Resistor	Usage
SPI F-RAM Device	R5	Solder zero-ohm resistor to control the SPI HOLD# pin from the controller
SPI F-RAM Device	R6	Solder zero-ohm resistor to control the SPI WP# pin from the controller
I <sup>2</sup> C F-RAM Device	R11	Solder zero-ohm resistor to control the I <sup>2</sup> C WP pin from the controller

#### A.5 Use of 30-ohm Resistors and No Load

Unit	Resistor	Usage
I <sup>2</sup> C Communication	R9	Solder a 30-ohm resistor to access the SDA for the I <sup>2</sup> C communication in Arduino UNO R2 boards
I <sup>2</sup> C Communication	R10	Solder a 30-ohm resistor to access the SCL for the I <sup>2</sup> C communication in Arduino UNO R2 boards
SPI Communication	R21	Solder a 30-ohm resistor to use J4_1 as SPI SI pin. This will free the SI on J3_4, which can be used for the I <sup>2</sup> C-USB Bridge communication on the CY8CKIT-042 Pioneer Kit.
SPI Communication	R22	Solder a 30-ohm resistor to use J4_2 as SPI SO pin. This will free the SO on J3_5, which can be used for the I <sup>2</sup> C-USB Bridge communication on the CY8CKIT-042 Pioneer Kit.

## A.6 Bill of Materials (BOM)

No.	Qty	Reference	Value	Description	Manufacturer	Mfr Part Number
1				PCB, 52.07mm X 53.59mm, 2 Layer, Enig Finish, High Tg, Blue color Solder mask, white color silkscreen	Cypress	
2	1	C1	10 uF	CAP TANT 10UF 10V 20% 1206	AVX Corporation	TPSA106M010R1800
3	3	C2,C4,C6	0.1 uF	CAP CER 0.1UF 50V Y5V 0603	Murata Electronics	GRM188R71C104KA01D
4	2	C3,C5	1 uF	CAP CERAMIC 1.0UF 25V X5R 0603 10%	Taiyo Yuden	TMK107BJ105KA-T
5	2	J1,J4	8x1 RECP	CONN RCPT .100" 8PS R/A SGL TIN	Samtec Inc	SSQ-108-03-T-S
6	1	J2	6x1 RECP	CONN RCPT .100" 6POS SNGL TIN	Samtec Inc	SSQ-106-03-T-S
7	1	J3	10x1 RECP	CONN RCPT .100" 10POS SNGL TIN	Samtec Inc	SSQ-110-03-T-S
8	1	J5	3 Pin Header	CONN HEADER VERT SGL 3POS GOLD	3M	961103-6404-AR
9	1	LED1	Power LED Green	LED GREEN CLEAR 0805 SMD	Chicago Miniature	CMD17-21VGC/TR8
10	1	R1	0E	RES 0.0 OHM 1/8W JUMP 0805 SMD	Panasonic - ECG	ERJ-6GEY0R00V
11	1	R2	220 Ohm	RES 220 OHM 1/10W 5% 0603 SMD	Panasonic-ECG	ERJ-3GEYJ221V
12	8	R3,R4,R7,R8,R12,R13,R14, R15	4.7k	RES 4.7K OHM 1/10W 5% 0603 SMD	Panasonic-ECG	ERJ-3GEYJ472V
13	5	R16,R17,R18,R19,R20	30 ohm	RES SMD 30 OHM 5% 1/10W 0603	Panasonic - ECG	ERJ-3GEYJ300V
14	1	SW1	3-POS DIP	SW DIP SLIDE SPST 3 POS UNSEALD	E-Switch	KAS1103E
15	1	TVS1	5V 350W	TVS DIODE 5VWM 14.5VC SOD323	Diodes Incorporated	SD05-7
16	1	U1	SPI F-RAM	IC FRAM 256-KBIT 40MHZ 8SOIC	Cypress	FM25W256-G
17	1	U2	I2C F-RAM	IC FRAM 256-KBIT 3.4MHZ 8SOIC	Cypress	FM24W256-G
18	1	N/A	Jumper	Jumper	3M	969102-0000-DA
<b>No Load Components</b>						
19	1	J6	3X2 CONN FEMALE	CONN HEADER VERT DUAL 6POS GOLD	3M	961206-6404-AR
20	1	J7	2X2 CONN FEMALE	CONN HEADER VERT DUAL 4POS GOLD	3M	961204-6404-AR
21	3	R5,R6,R11	0E	RES 0.0 OHM 1/10W 0603 SMD	Panasonic - ECG	ERJ-3GEYJ302V
22	4	R9,R10,R21,R22	30E	RES SMD 30 OHM 5% 1/10W 0603	Panasonic - ECG	ERJ-3GEYJ300V
23	3	TP1,TP2,TP3	BLACK	TEST POINT PC MINI .040"D Black	Keystone Electronics	5001

No.	Qty	Reference	Value	Description	Manufacturer	Mfr Part Number
<b>Special Jumper Installation Instructions</b>						
24	1	J5	Install jumper across pins 1 and 2	Headers & Wire Housings 2.54MM SHUNT	3M	969102-0000-DA
<b>Label</b>						
25	1	N/A	N/A	LBL, PCA Label, Vendor Code, Datecode, Serial Number 121-60201-01 REV 01 (YYWWVVXXXXX)	Cypress Semiconductor	
26	1	N/A	N/A	LBL, CY15FRAMKIT-001 QR Code, 12mm X 12mm	Cypress Semiconductor	
27	1	N/A	N/A	LBL, Anti-Static Warning, ULINE PN S-6516, 5/8" x 2", "Attention Observe Precautions"	Cypress Semiconductor	

# Revision History



## Document History

**Document Title:** CY15FRAMKIT-001 Serial F-RAM™ Development Kit Guide

**Document Number:** 001-95689

Revision	ECN	Orig. of Change	Submission Date	Description of Change
**	4660868	MEDU	02/13/2015	Initial version of kit guide
*A	4666640	MEDU	02/20/2015	Updated <a href="#">Figure 2-1</a>