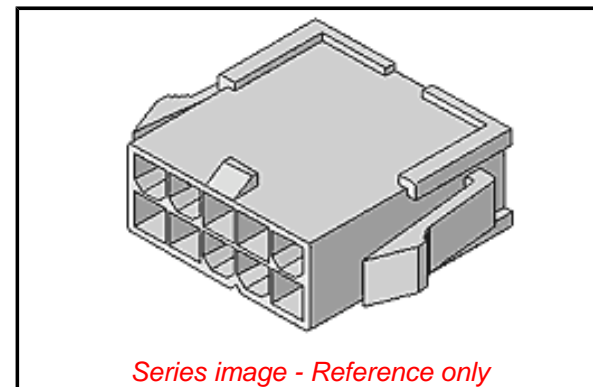


**PLEASE CHECK WWW.MOLEX.COM FOR LATEST PART INFORMATION**

**Part Number:** [0039013043](#)  
**Status:** **Active**  
**Overview:** [Mini-Fit Jr.™ Power Connectors](#)  
**Description:** [Mini-Fit Jr.™ Plug Housing, Dual Row, 4 Circuits, UL 94V-2, Natural](#)

**Documents:**

<a href="#">3D Model</a>	<a href="#">Packaging Specification PK-5559-002 (PDF)</a>
<a href="#">Drawing (PDF)</a>	<a href="#">Test Summary TS-5556-002 (PDF)</a>
<a href="#">Product Specification PS-45750-001 (PDF)</a>	<a href="#">RoHS Certificate of Compliance (PDF)</a>
<a href="#">Product Specification PS-5556-001 (PDF)</a>	



*Series image - Reference only*

**Agency Certification**

CSA	LR19980
UL	E29179

**General**

Product Family	Crimp Housings
Series	5559
Application	Power, Wire-to-Board, Wire-to-Wire
Comments	Current = 13A max. per circuit when header is mated to a receptacle loaded with 45750 series terminals crimped to 16 AWG wire. . See Molex product specification PS-45750-001 for additional current derating information.. Glow Wire Equivalent Part.
MolexKits	Yes
Overview	<a href="#">Mini-Fit Jr.™ Power Connectors</a>
Product Name	Mini-Fit Jr.™
UPC	800755527988

**Physical**

Breakaway	No
Circuits (maximum)	4
Color - Resin	Natural
Flammability	94V-2
Gender	Plug
Glow-Wire Compliant	No
Keying to Mating Part	None
Lock to Mating Part	Yes
Material - Resin	Nylon
Net Weight	1.320/g
Number of Rows	2
Packaging Type	Bag
Panel Mount	No
Pitch - Mating Interface	4.20mm
Pitch - Termination Interface	4.20mm
Polarized to Mating Part	Yes
Stackable	No
Temperature Range - Operating	-40°C to +105°C

**Electrical**

Current - Maximum per Contact	13.0A
-------------------------------	-------

**Solder Process Data**

Lead-freeProcess Capability	N/A
-----------------------------	-----

**Material Info**

Old Part Number	5559-04P1
-----------------	-----------

**EU ELV**

**Not Relevant**

**EU RoHS**

**Compliant**

**REACH SVHC**

Contains SVHC(2015 June 15): No

**Halogen-Free**

**Status**

**Low-Halogen**

**Need more information on product environmental compliance?**

Email [productcompliance@molex.com](mailto:productcompliance@molex.com)  
Please visit the [Contact Us](#) section for any non-product compliance questions.

China ROHS

ELV

Green Image

Not Relevant

**Search Parts in this Series**

[5559](#) Series

**Mates With**

[39-01-3042](#) Receptacle Housing,  
[39-01-2040](#) Receptacle Housing

**Use With**

[5558](#) Mini-Fit Jr.™ Male Crimp Terminals.  
[30490](#) Mini-Fit® Male Grounding Crimp Terminals

**Reference - Drawing Numbers**

Packaging Specification

Product Specification

Sales Drawing

Test Summary

PK-5559-002

PS-45750-001, PS-5556-001

SD-5559-NP1\*

TS-5556-002

This document was generated on 07/21/2015

**PLEASE CHECK [WWW.MOLEX.COM](http://WWW.MOLEX.COM) FOR LATEST PART INFORMATION**