

**PLEASE CHECK WWW.MOLEX.COM FOR LATEST PART INFORMATION**

**Part Number:** **0441330800**  
**Status:** **Active**  
**Overview:** Micro-Fit 3.0™ Connectors  
**Description:** Micro-Fit BMI™ Receptacle Housing, Dual Row, Panel Mount, 8 Circuits, PBT Polyester, UL 94V-0

**Documents:**

[3D Model](#) [RoHS Certificate of Compliance \(PDF\)](#)  
[Drawing \(PDF\)](#) [Product Literature \(PDF\)](#)  
[Product Specification PS-44300-001 \(PDF\)](#)

**Agency Certification**

CSA LR19980  
 UL E29179

**General**

Product Family Crimp Housings  
 Series [44133](#)  
 Application Power, Wire-to-Board, Wire-to-Wire  
 Overview [Micro-Fit 3.0™ Connectors](#)  
 Product Literature Order No 987650-5984  
 Product Name Micro-Fit BMI™  
 UPC 800754807975

**Physical**

Circuits (maximum) 8  
 Color - Resin Black  
 Flammability 94V-0  
 Gender Female  
 Glow-Wire Compliant No  
 Lock to Mating Part No  
 Material - Resin Polyester  
 Net Weight 2.136/g  
 Number of Rows 2  
 Packaging Type Bag  
 Panel Mount Yes  
 Pitch - Mating Interface 3.00mm  
 Polarized to Mating Part Yes  
 Stackable No  
 Temperature Range - Operating -40°C to +105°C

**Electrical**

Current - Maximum per Contact 5.0A

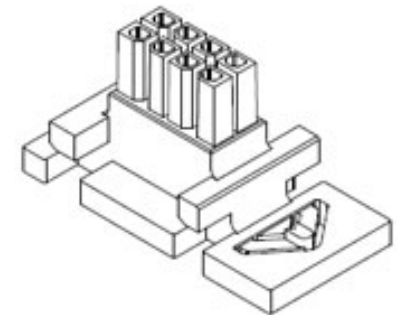
**Solder Process Data**

Lead-free Process Capability N/A

**Material Info**

**Reference - Drawing Numbers**

Product Specification PS-44300-001, RPS-44300-001  
 Sales Drawing SD-44133-001



*Series image - Reference only*

**EU ELV**

**Not Relevant**

**EU RoHS**

**Compliant**

**REACH SVHC**

Contains SVHC(2014 December 17): No

**Halogen-Free**

**Status**

**Not Low-Halogen**

**Need more information on product environmental compliance?**

Email [productcompliance@molex.com](mailto:productcompliance@molex.com)  
 Please visit the [Contact Us](#) section for any non-product compliance questions.

China ROHS

ELV

Green Image

Not Relevant

**Search Parts in this Series**

[44133 Series](#)

**Mates With**

[44300-0800](#) Panel Mount Plug, [44432](#) Micro-Fit 3.0 BMI Vertical 8 Circuit Headers, [44428](#) Micro-Fit 3.0 BMI Right Angle 8 Circuit Headers, [45280](#) Micro-Fit 3.0 BMI CPI™ Vertical 8 Circuit Headers

**Use With**

[43030](#) , [Link45773](#) Micro-Fit 3.0™ Female Crimp Terminals, [46235](#) Micro-Fit RMF™ Female Crimp Terminals