

rotronic

Datenblatt - Fiche technique - Data sheet

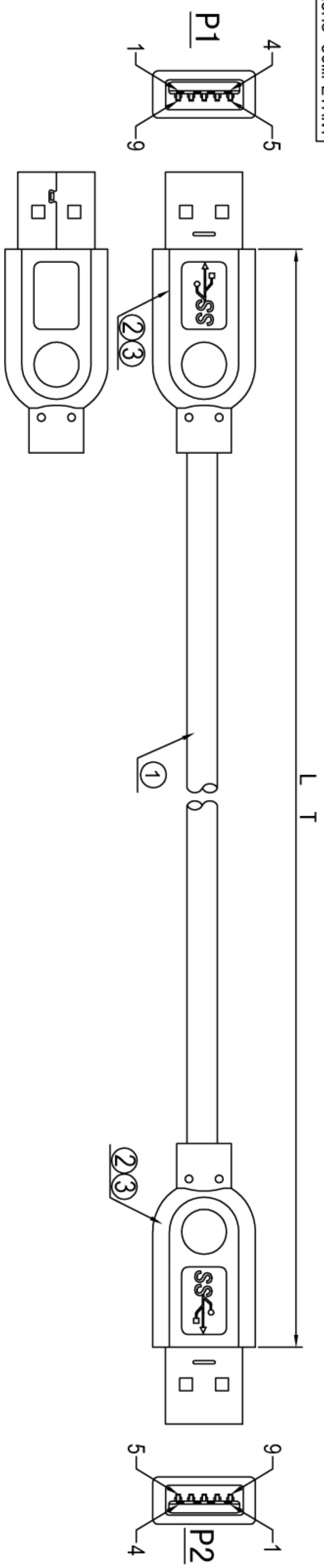
11.02.8970



ROLINE USB 3.0 Kabel, Typ A-A, 1,8m

ROLINE Câble USB 3.0 Type A-A, 1.8m

ROLINE USB 3.0 Cable, Type A M – A M, 1.8 m



NOTES:

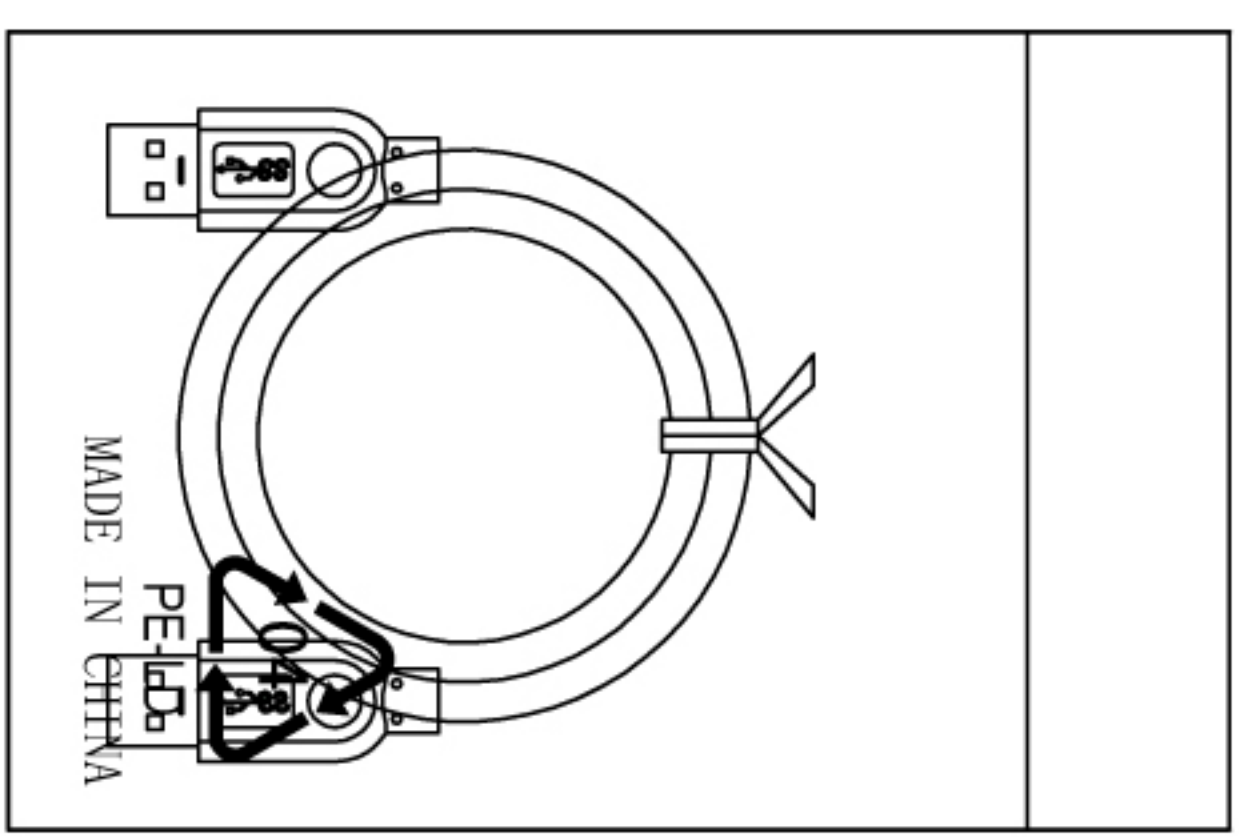
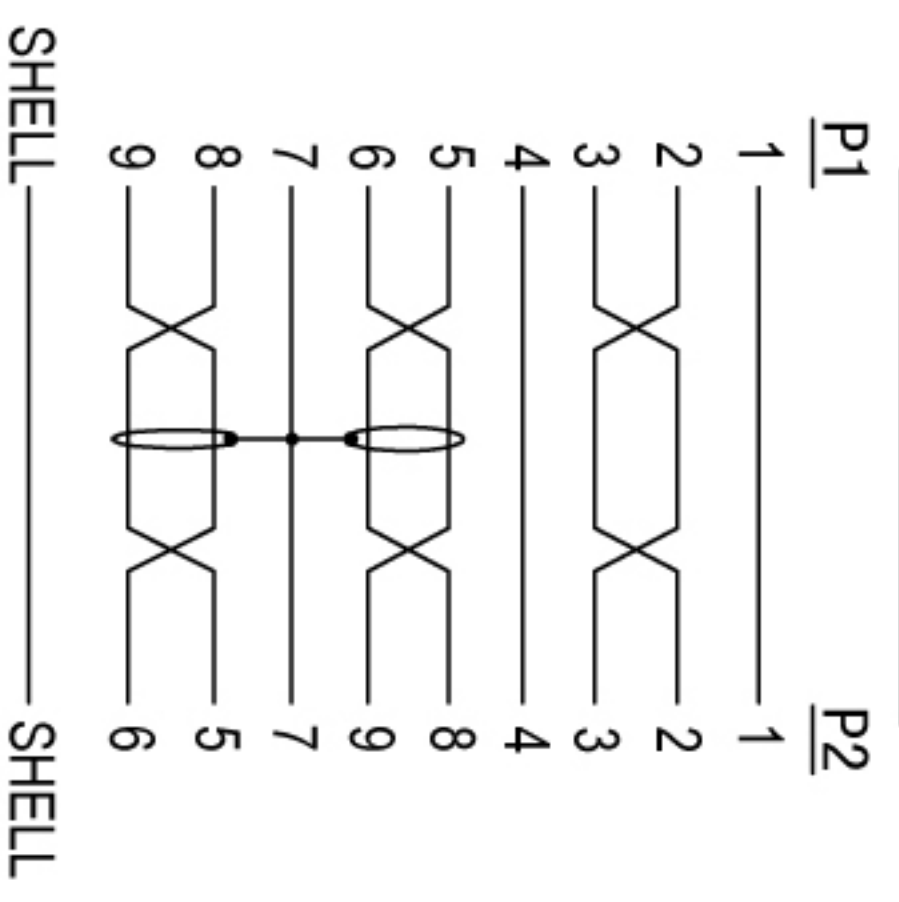
1. CABLE: UL2725 (30AWG*1P+EAM) *2+28AWG*1P+24AWG*2C+AB (AL/MG BRAID)
OD=5.5MM JACKET: PVC BLACK;
2. CONN: USB 3.0 A/M INSULATION: BLUE SHELL NICKEL-PLATED CONTACT GOLD-PLATED 3U";
3. OUTER MOLD: PVC 45P BLACK;

ELECTRICAL TEST:

1. 100% TEST OPEN SHORT MIS-WIRE;
2. INSULATION RESISTANCE: 2M OHM MIN.

ITEM NO	L (MM)	T (MM)	BAG
11. 02. 8970	1800	50	150*200*0.06MM
11. 02. 8971	3000	60	150*200*0.06MM

WIRE ADDRESS



Company	Rotronic	Goods Code		Draw	FC038 ZYF	Date	2011. 11. 25	Rotronic Co., Ltd.	D	
ITEM NO	11. 02. 897X	Drawing	Evidence:	Check		Date			C	
Goods NO		Unit (MM)		Approval		Date			B	
Original NO.								VER. A	REVISE	Date