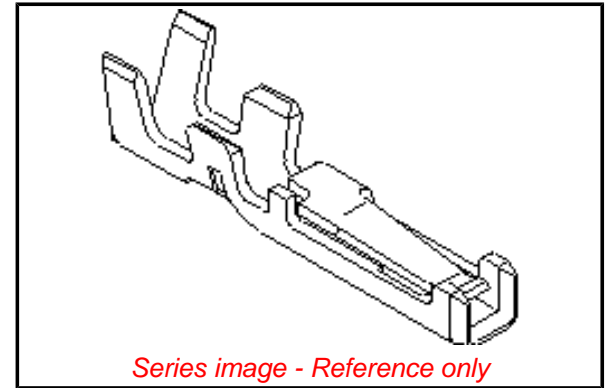


PLEASE CHECK WWW.MOLEX.COM FOR LATEST PART INFORMATION

Part Number: [0506418141](#)
Status: **Active**
Overview: [PanelMate™ Wire-to-Board Connector System](#)
Description: [PanelMate™ Crimp Terminal 50641, 28-30 AWG, Bag Gold \(Au\)](#)

Documents:

Drawing (PDF)	Product Specification PS-51146-010 (PDF)
Product Specification PS-51146-001 (PDF)	Product Specification PS-51146-011 (PDF)
Product Specification PS-51146-006 (PDF)	Product Specification PS-51146-012 (PDF)
Product Specification PS-51146-007 (PDF)	Packaging Specification SPK-50641-001 (PDF)
Product Specification PS-51146-008 (PDF)	RoHS Certificate of Compliance (PDF)
Product Specification PS-51146-009 (PDF)	



General

Product Family	Crimp Terminals
Series	50641
Application	Signal
Crimp Quality Equipment	Yes
MolexKits	Yes
Overview	PanelMate™ Wire-to-Board Connector System
Packaging Alternative	50641-8041 (Reel)
Product Name	PanelMate™
UPC	800754370691

Physical

Gender	Female
Material - Metal	Phosphor Bronze
Material - Plating Mating	Gold
Material - Plating Termination	Tin
Net Weight	20.001/mg
Packaging Type	Bag
Plating min - Mating	0.203µm
Plating min - Termination	0.203µm
Termination Interface: Style	Crimp or Compression
Wire Insulation Diameter	0.50-0.90mm
Wire Size AWG	28, 30
Wire Size mm²	N/A

Material Info

Reference - Drawing Numbers

Packaging Specification	SPK-50641-001
Product Specification	PS-51146-001 , PS-51146-006 , PS-51146-007 , PS-51146-008 , PS-51146-009 , PS-51146-010 , PS-51146-011 , PS-51146-012 , RPS-51146-002 , RPS-51146-003 , RPS-51146-004 , RPS-51146-007 , RPS-51146-008 , RPS-51146-009 , RPS-51146-013 , RPS-51146-015 , RPS-51146-017 , RPS-51146-019 , RPS-51146-022 , RPS-51146-023 , RPS-51146-024 , RPS-51146-025 , RPS-51146-026 , RPS-51146-027 , RPS-51146-029 , RPS-51146-031 , RPS-51146-034 , RPS-51146-035
Sales Drawing	SD-50641-001

EU ELV

Not Relevant

EU RoHS

Compliant

REACH SVHC

Contains SVHC(2014 December 17): No

Halogen-Free

Status

Low-Halogen

Need more information on product environmental compliance?

Email productcompliance@molex.com
Please visit the [Contact Us](#) section for any non-product compliance questions.

China ROHS

ELV

Green Image

Not Relevant

Search Parts in this Series

[50641](#) Series

Application Tooling | FAQ

Tooling specifications and manuals are found by selecting the products below. Crimp Height Specifications are then contained in the Application Tooling Specification document.

Global

Description	Product #
Extractor Tool for 1.25mm Pitch Wire-to-Board Crimp Terminal	0638133400
Hand Crimp Tool, UL Approved	0638117900

Japan

Description	Product #
Hand Crimper	0573525000
Hand Crimper	0573525100

This document was generated on 08/13/2015

PLEASE CHECK WWW.MOLEX.COM FOR LATEST PART INFORMATION