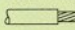
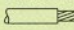
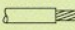
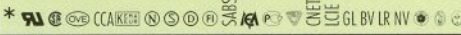
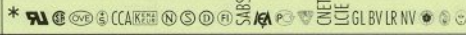

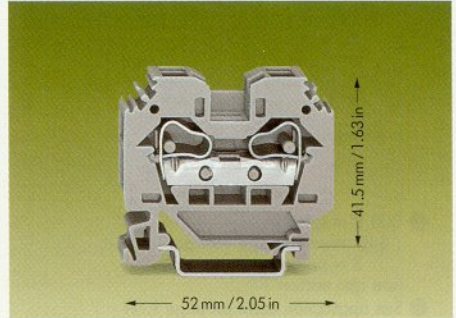
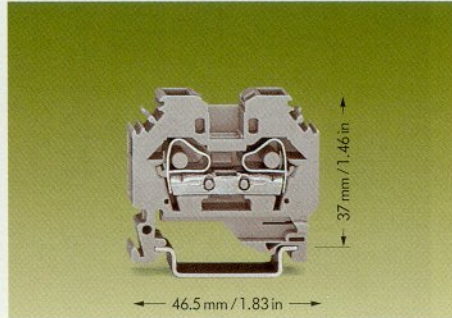
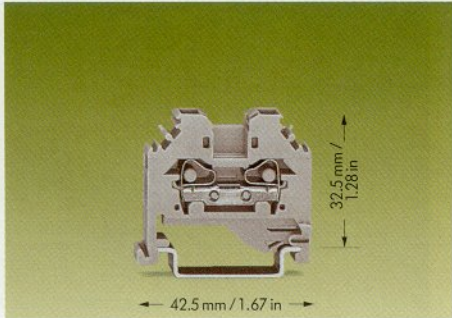


<p><b>0.08 – 4 mm<sup>2</sup></b>                  800 V/8 kV/3 ①                  32 A</p> <p>Terminal block width 6 mm / 0.236 in   9 – 10 mm / 0.37 in</p>	<p><b>AWG 28 – 12</b>                  600 V, 20 A ①                  600 V, 25 A ②</p>	<p><b>0.2 – 6 mm<sup>2</sup></b>                  800 V/8 kV/3 ①                  41 A</p> <p>Terminal block width 8 mm / 0.315 in   12 – 13 mm / 0.49 in</p>	<p><b>AWG 24 – 10</b>                  600 V, 30 A ①                  600 V, 40 A ②</p>	<p><b>0.2 – 10 mm<sup>2</sup></b>                  800 V/8 kV/3 ①                  57 A</p> <p>Terminal block width 10 mm / 0.394 in   12 – 13 mm / 0.49 in</p>	<p><b>AWG 24 – 8</b>                  600 V, 50 A ①                  600 V, 65 A ②</p>
<p>* </p>		<p>* </p>		<p>* </p>	



Item-No.	Pack.-unit pcs	Item-No.	Pack.-unit pcs	Item-No.	Pack.-unit pcs
<b>2-conductor through terminal blocks</b>		<b>2-conductor through terminal blocks</b>		<b>2-conductor through terminal blocks</b>	
grey <b>281-101</b>	100	grey <b>282-101</b>	50	grey <b>284-101</b>	50
blue <b>281-104 ①</b>	100	blue <b>282-104 ①</b>	50	blue <b>284-104</b>	50

Appropriate marking system	WMB/WSB	Appropriate marking system	WMB/WSB	Appropriate marking system	WMB/WSB
3 mm/0.118 in thick		4 mm/0.157 in thick		2.5 mm/0.098 in thick	
orange <b>281-302</b>	100 (4 x 25)	orange <b>282-302</b>	100 (4 x 25)	orange <b>284-302</b>	100 (4 x 25)
grey <b>281-301</b>	100 (4 x 25)	grey <b>282-301</b>	100 (4 x 25)	grey <b>284-301</b>	100 (4 x 25)
2 mm/0.079 in thick		2 mm/0.079 in thick		2 mm/0.079 in thick	
orange <b>281-322</b>	100 (4 x 25)	orange <b>282-322</b>	100 (4 x 25)	orange <b>284-322</b>	100 (4 x 25)
grey <b>281-332</b>	100 (4 x 25)	grey <b>282-332</b>	100 (4 x 25)	grey <b>284-332</b>	100 (4 x 25)
6 mm/0.236 in wide	<b>249-116</b>	6 mm/0.236 in wide	<b>249-116</b>	6 mm/0.236 in wide	<b>249-116</b>
10 mm/0.394 in wide	<b>249-117</b>	10 mm/0.394 in wide	<b>249-117</b>	10 mm/0.394 in wide	<b>249-117</b>
I <sub>N</sub> 32 A		I <sub>N</sub> 41 A		I <sub>N</sub> 57 A	
grey <b>281-402</b>	200 (8 x 25)	grey <b>282-402</b>	100 (4 x 25)	grey <b>284-402</b>	100 (4 x 25)
yellow-green <b>281-422</b>	200 (8 x 25)	yellow-green <b>282-422</b>	100 (4 x 25)	yellow-green <b>284-422</b>	100 (4 x 25)
I <sub>N</sub> 32 A		I <sub>N</sub> 41 A		I <sub>N</sub> 57 A	
grey <b>281-409</b>	100 (4 x 25)	grey <b>282-409</b>	100 (4 x 25)	grey <b>284-409</b>	50 (2 x 25)
5 mm/0.197 in wide	<b>280-404</b>				
for test plug 210-137 (2.3 mm/0.091 in Ø)					
8 mm/0.315 in wide	<b>209-170</b>	8 mm/0.315 in wide	<b>209-170</b>	8 mm/0.315 in wide	<b>209-170</b>
for test plug 4 mm/0.157 in Ø	50 (2 x 25)	for test plug 4 mm/0.157 in Ø	50 (2 x 25)	for test plug 4 mm/0.157 in Ø	50 (2 x 25)
I <sub>N</sub> 24 A					
yellow <b>281-407</b>	100 (4 x 25)				
		I <sub>N</sub> 15 A, grey <b>284-414</b>	50 (2 x 25)	I <sub>N</sub> 15 A, grey <b>284-414</b>	50 (2 x 25)
		I <sub>N</sub> 30 A, grey <b>284-413</b>	50 (2 x 25)	I <sub>N</sub> 30 A, grey <b>284-413</b>	50 (2 x 25)
		1 mm/0.039 in thick		1 mm/0.039 in thick	
		grey <b>284-333</b>	100 (4 x 25)	grey <b>284-333</b>	100 (4 x 25)
		orange <b>284-343</b>	100 (4 x 25)	orange <b>284-343</b>	100 (4 x 25)
1 mm/0.039 in thick					
grey <b>281-333</b>	100 (4 x 25)				
orange <b>281-336</b>	100 (4 x 25)				
green-yellow <b>281-107</b>	page 1.112	green-yellow <b>282-107</b>	page 1.113	green-yellow <b>284-107</b>	page 1.113