



HBL1389D

**Thermoplastic Cover on a Plated Steel Base**  
Durable, non-conductive cover



HBL1379D

**All Aluminum Cover and Base**  
Base is pre-drilled for rear surface mounting

## Shared Features

Wiring conduit knockouts

- 1/2" and 3/4" NPT
- Top, bottom or back wire entry points

Surface mount control

Switch can be locked in the off position as a method of compliance with OSHA lockout/tagout

## Circuit-Lock® NEMA 1 Enclosures with Switch

Ideal for use in industrial environments, i.e. conveyer systems, industrial fans, etc.

Amp	Poles	Enclosure Material	HP Rating				Catalog Number
			120V AC 1Ø	240V AC 3Ø	480V AC 3Ø	600V AC 3Ø	
30	2	Thermoplastic	2	5	10	15	HBL1392D
30	3	Thermoplastic	3	7.5	15	20	HBL1389D
30	2	Aluminum	2	5	10	15	HBL1372D
30	3	Aluminum	3	7.5	15	20	HBL1379D

Note: See page F-17 for technical information.

## Circuit-Lock® NEMA 1 Enclosures without Switch

For use with switches shown on page F-17.

Description	Cover Material	Base Material	No. Equipment Grounds	Catalog Number
For use with 30A switch.	Thermoplastic	Steel	1	HBL1390
For use with 30A switch.	Aluminum	Aluminum	2	HBL1370



HBL1389D



HBL1379D



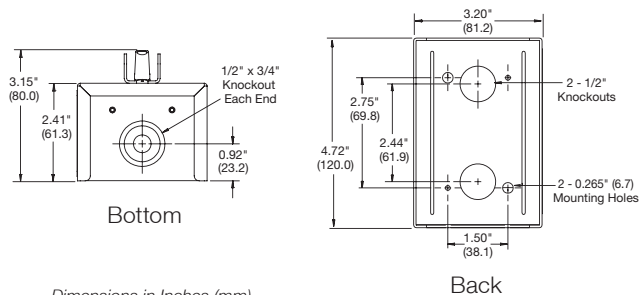
HBL1390



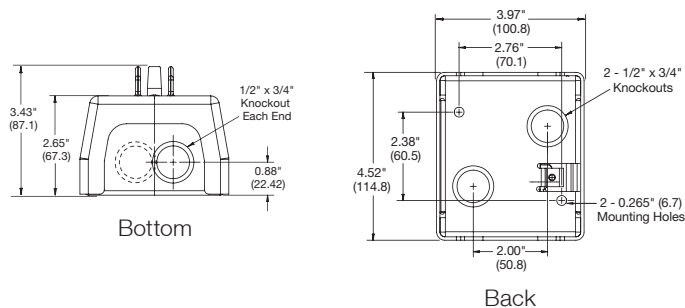
HBL1370

## Dimensions

HBL1370, HBL1372D and HBL1379D



HBL1390, HBL1389D and HBL1392D



Dimensions in Inches (mm)