



Custom Poles

Using the chart below, you can create a custom service pole. For configurations that require additional customization, please consult Hubbell Technical Service at (475) 882-4800.

Position	S	P	1	2	3	4	5	6	7	8	9	10	11	12	13	14
Selections	S	P	1	0	0	2	1	1	B	B	B	X	X	X	C	I

Example: SP100211BBBXXCI

10 Feet 02 Inches, (2) Rectangular Style Line® Knockouts for Data, (3) HBL2162 Duplex Receptacles, (2) Circuits (First 2 Receptacles on Circuit #1, Remaining Receptacles on Circuit #2), Ivory.

Worksheet

Position	S	P	1	2	3	4	5	6	7	8	9	10	11	12	13	14
Selections	S	P														

Position 1 & 2: Height to the nearest foot. 08-22 Feet.

Position 3 & 4: Height in inches up to 11". 00-11 Inches.

Position 5, 6, 7, 8, 9, 10, 11, 12:
Starting at **Position 5** Select Datacom Knockouts/Device Frames followed by Power Receptacle/Power Knockout options. If the service pole is power only, select receptacle options starting at **Position 5**. Empty **Positions** should be filled with an "X" to designate an empty field.

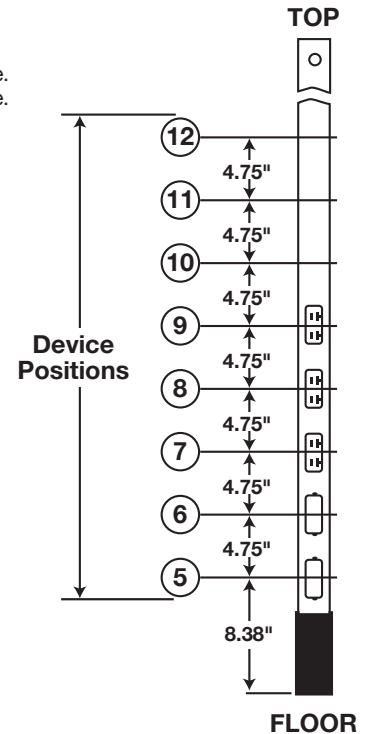
Note: If power receptacles are chosen, then power knockouts may not be chosen in the same service pole.

Data Selections

- 1 - Rectangular Style Line® Knockout.
- 2 - ½" NPT Knockout (0.875" diameter).
- 3 - ¾" NPT Knockout (1.109" diameter).
- 4 - 2-Port Style Line® Data Frame, 1-Gang, 2 Port Voice/Data Frame.
- 5 - 3-Port Style Line® Data Frame, 1-Gang, 3 Port Voice/Data Frame.

Power Selections

- 6 - Rectangular Style Line® Knockout (for blank poles only).
- 7 - ½" NPT Knockout (0.875" diameter, for blank poles only).
- 8 - ¾" NPT Knockout (1.109" diameter, for blank poles only).
- A - 5362, 20A, 125V AC, Duplex.
- B - HBL2162, 20A, 125V AC, Style Line® Decorator Duplex.
- C - IG5362, 20A, 125V AC, I.G. Duplex.
- D - IG2162, 20A, 125V AC, I.G. Style Line® Decorator Duplex.
- G - HBL4700, 15A, 125V AC, Twist-Lock® Duplex.
- H - IG4700A, 15A, 125V AC, I.G. Twist-Lock® Duplex.
- I - IG2310, 20A, 125V AC, I.G. Twist-Lock® Single.
- J - IG5361, 20A, 125V AC, I.G. Single.
- K - HBL5361, 20A, 125V AC, Single.
- L - HBL2310, 20A, 125V AC, Twist-Lock® Single.
- M - HBL2610, 30A, 125V AC, Twist-Lock® Single.
- N - HBL2320, 20A, 250V AC, Twist-Lock® Single.
- O - HBL2620, 30A, 250V AC, Twist-Lock® Single.
- Q - IG4710, 15A, 125V AC, I.G. Twist-Lock® Single.
- R - HBL4710, 15A, 125V AC, Twist-Lock® Single.
- S - HBL5662, 15A, 250V AC, Duplex.
- T - IG5662, 15A, 250V AC, I.G. Duplex.
- U - HBL5661, 15A, 250V AC, Single.
- V - IG5661, 15A, 250V AC, I.G. Single.
- W - HBL5462, 20A, 250V AC, Duplex.



Position 13: Power Circuits
Z - No Circuits (Should only be selected when the service poles has ONLY Data and/or Power knockouts).
A - All devices on a single circuit.
B - 2 Circuits, First Receptacle on Circuit #1, Remaining Receptacles on Circuit #2.
C - 2 Circuits, First 2 Receptacles on Circuit #1, Remaining Receptacles on Circuit #2.
D - 2 Circuits, First 3 Receptacles on Circuit #1, Remaining Receptacles on Circuit #2.
E - 2 Circuits, First 4 Receptacles on Circuit #1, Remaining Receptacles on Circuit #2.
F - 2 Circuits, First 5 Receptacles on Circuit #1, Remaining Receptacles on Circuit #2.
G - 2 Circuits, First 6 Receptacles on Circuit #1, Remaining Receptacles on Circuit #2.
H - 2 Circuits, First 7 Receptacles on Circuit #1, Remaining Receptacles on Circuit #2.

Position 14: Color
I - Ivory.
G - Gray.
W - White.
K - Black.
A - Aluminum with clear anodized finish.

Dimensions in Inches (mm)