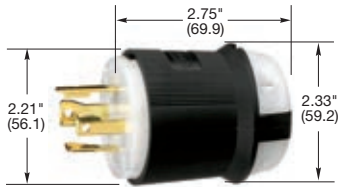




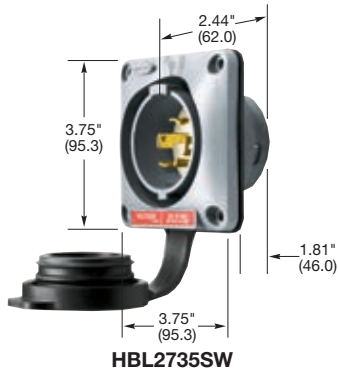
**HBL2731SW**



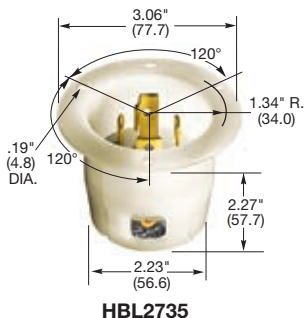
**HBL2731S**



**HBL2731**



**HBL2735SW**



**HBL2735**

Dimensions in Inches (mm)

## Plugs

### Watertight Safety-Shroud®

Description	Cord Dia.	IP66 SUITABILITY	UL Type 4x, 12	Catalog Number
Black Valox® housing, white Valox® clamps.	.350"-1.150" (9-29)			<b>HBL2731SW</b> <b>HBL2741SW</b>

### Safety-Shroud®

Description	Cord Dia.	IP20 SUITABILITY	Catalog Number
Black and white nylon body, white Valox® shroud. Can be used with the Insulgrip Connector Bodies.	.350"-1.150" (9-29)		<b>HBL2731S</b> <b>HBL2741S</b>

Note: See page B-40 for accessories.

### Insulgrip®

Description	Cord Dia.	IP20 SUITABILITY	Catalog Number
Black and white nylon.	.350"-1.150" (9-29)		<b>HBL2731</b> <b>HBL2741</b>
Corrosion resistant, yellow nylon.	.350"-1.150" (9-29)		<b>HBL27CM31</b> <b>HBL27CM41</b>

Note: See page B-53 for accessories.



**30A 3Ø 480V AC**  
 NEMA L16-30P  
 UL/CSA  
 10 HP



**30A 3Ø 600V AC**  
 NEMA L17-30P  
 UL/CSA

## Flanged Inlets

### Watertight Safety-Shroud®

Description	IP66 SUITABILITY	UL Type 4x, 12	Catalog Number
Gray Valox® housing and flange.			<b>HBL2735SW</b> <b>HBL2745SW</b>

Note: See page B-54 for accessories.

### Insulgrip®

Description	IP20 SUITABILITY	Catalog Number
Nylon casing, back wired.		<b>HBL2735</b> <b>HBL2745</b>

Note: See page B-52 for accessories.

See pages B-69 and B-70 for technical information on Twist-Lock and Watertight Safety-Shroud devices.

**HBLMITL** - For use with Watertight Safety-Shroud receptacles, see page B-39.



Valox® is a trademark of SABIC Innovative Plastics, acquired from General Electric Company.