

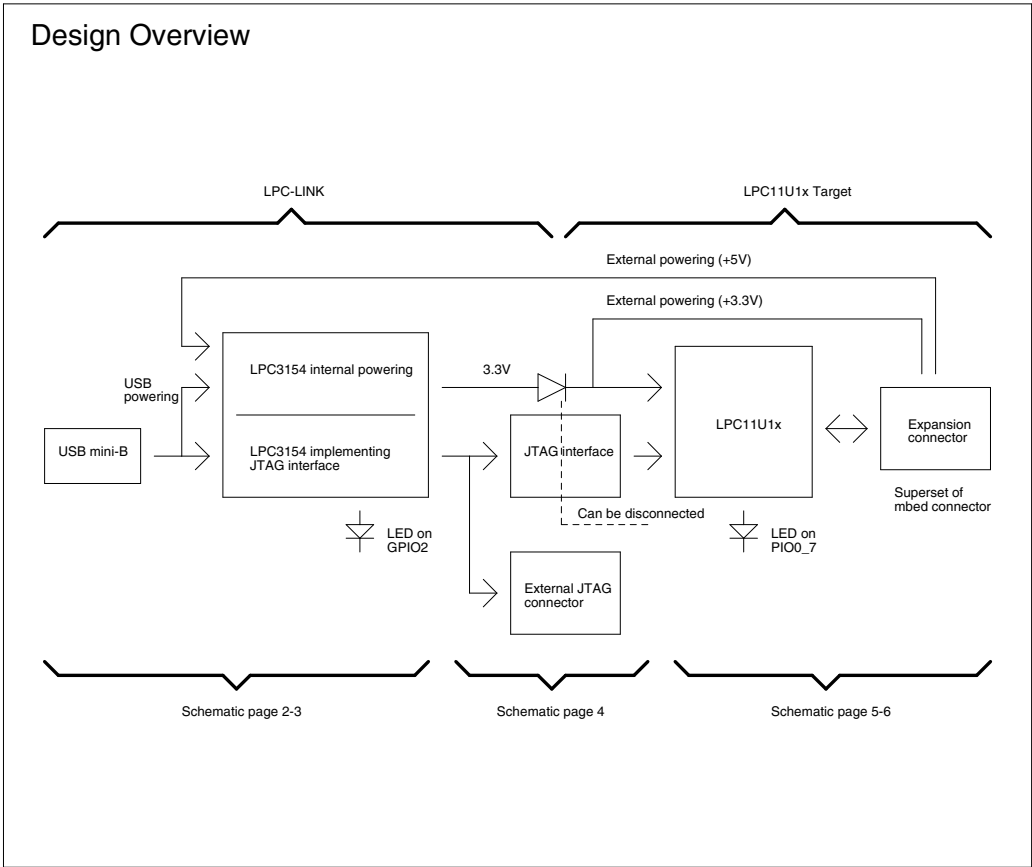
**Page 2**  
LPC3154 Powering and Unused parts

**Page 3**  
LPC3154 Digital I/O

**Page 4**  
JTAG Interface

**Page 5**  
LPC11U1x

**Page 6**  
Expansion connector



UL = UnLoaded = normally not mounted component.

Default jumper settings are indicated in the schematic.  
However, always check jumper positions on actual boards  
since there is no guarantee that all jumpers are in default place.



(C) Embedded Artists AB

TITLE: LPCXpresso LPC11U14 rev A

Document Number:

REV:

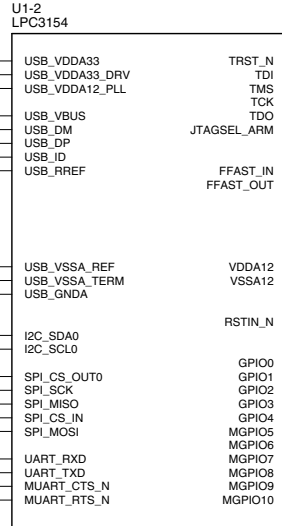
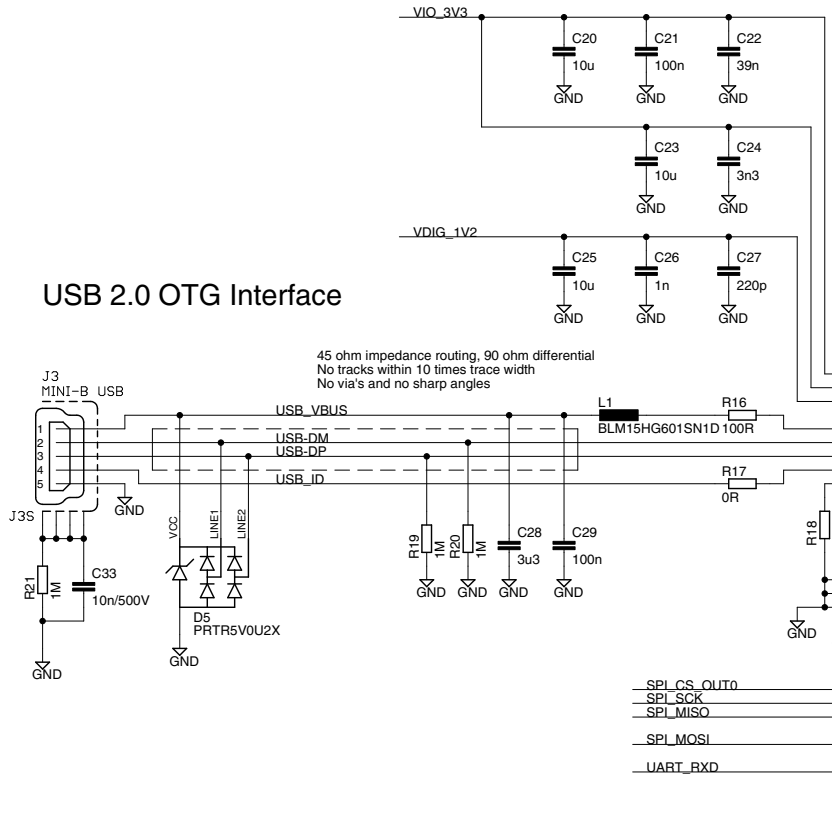
Date: 2012-08-21 09:37:59

Sheet: 1/6

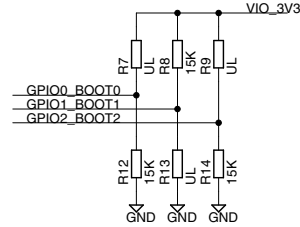
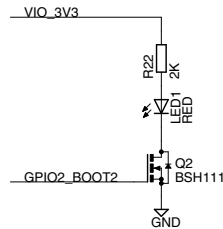


# Boot mode - USB via DFU class

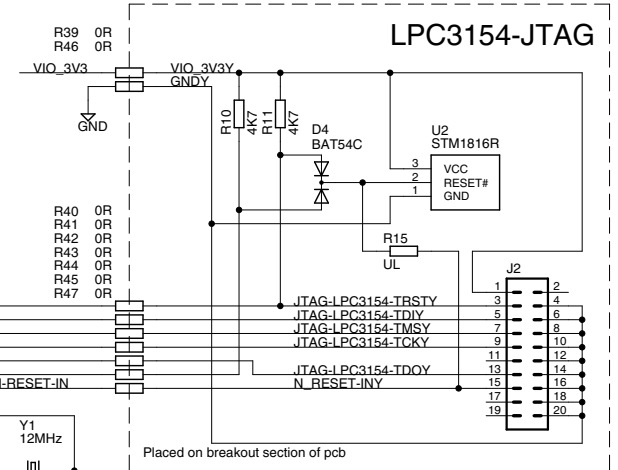
## USB 2.0 OTG Interface



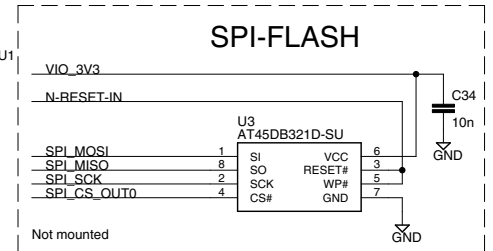
## LED



## LPC3154-JTAG

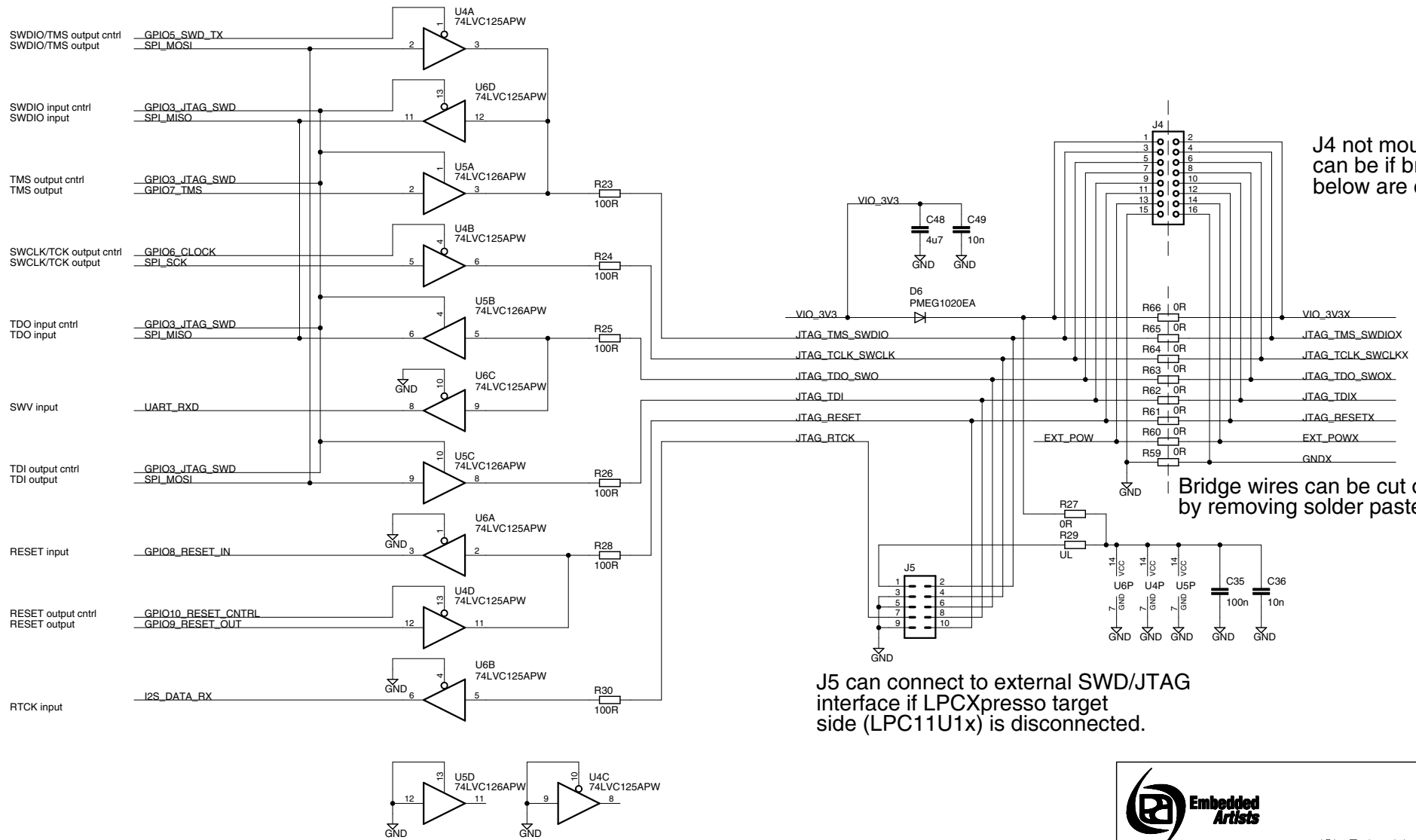


## SPI-FLASH



(C) Embedded Artists AB  
 TITLE: LPCpresso LPC11U14 rev A  
 Document Number: \_\_\_\_\_ REV: \_\_\_\_\_  
 Date: 2012-08-21 09:37:59 Sheet: 3/6

# SWD/JTAG Interface



J4 not mounted, but can be if bridge wires below are cut.

Bridge wires can be cut on pcb by removing solder paste.

J5 can connect to external SWD/JTAG interface if LPCXpresso target side (LPC11U1x) is disconnected.



© Embedded Artists AB

TITLE: LPCXpresso LPC11U14 rev A

Document Number:

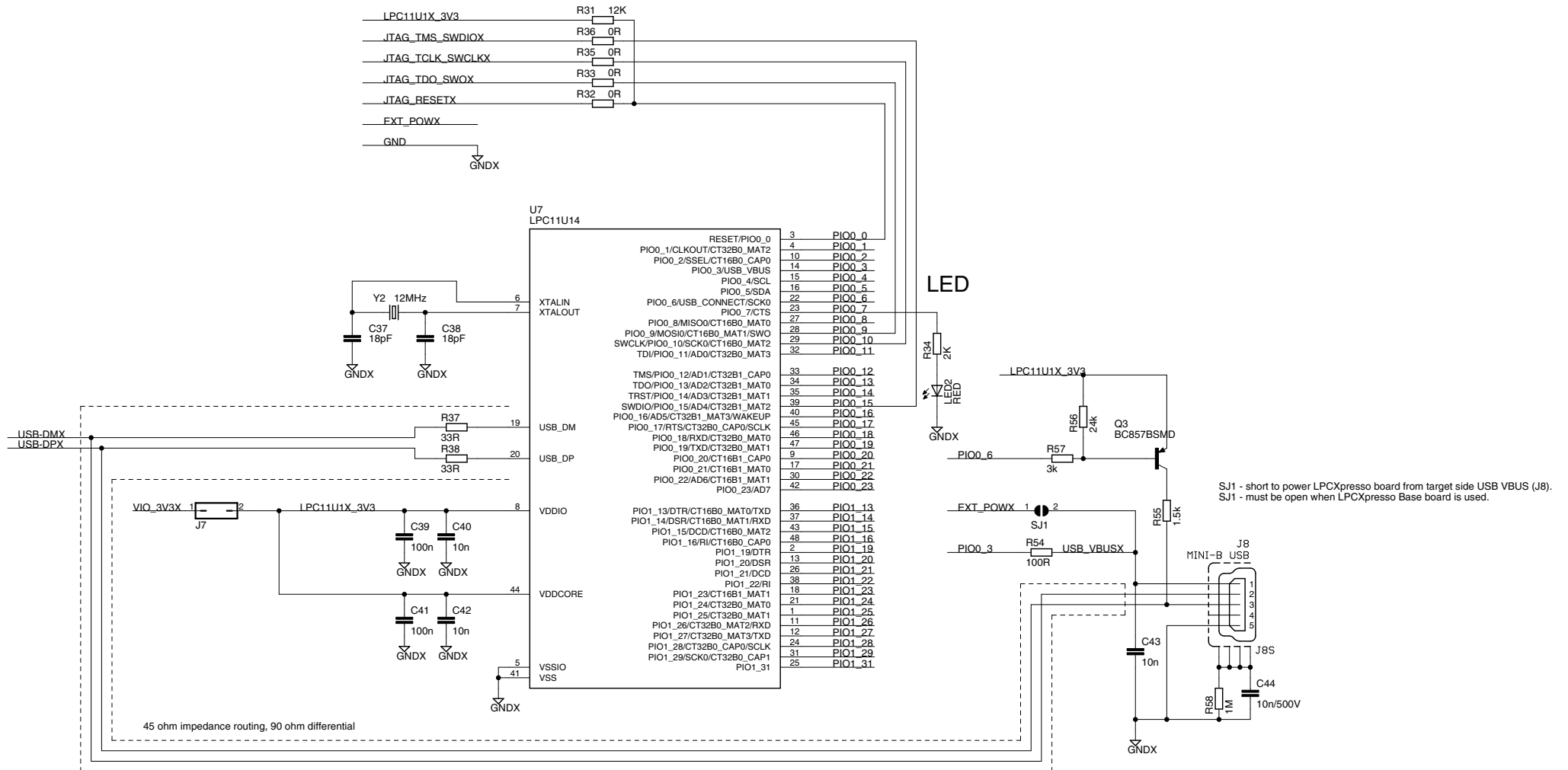
REV:

Date: 2012-08-21 09:37:59

Sheet: 4/6

# LPC11U14 Target Side

From LPC-LINK Side



(C) Embedded Artists AB

TITLE: LPCXpresso LPC11U14 rev A

Document Number:

REV:

Date: 2012-08-21 09:37:59

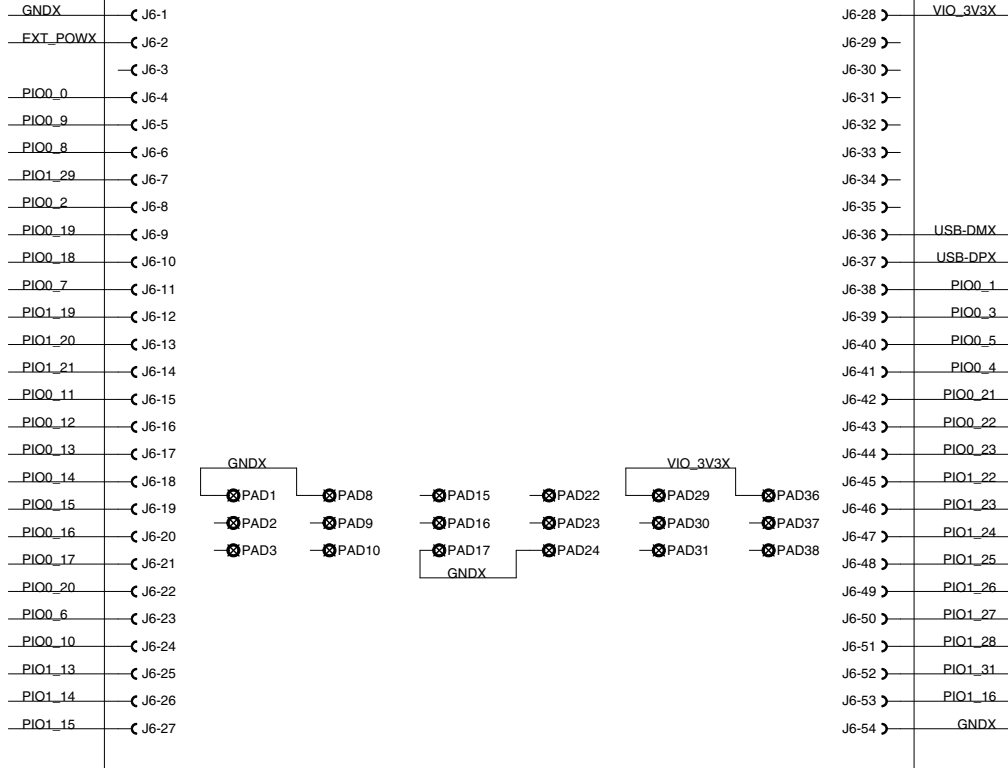
Sheet: 5/6

↑  
LPC-LINK side

## Expansion Connector (superset of mbed pinning)

Dual row holes (2x27), 100 mil spacing

| mbed                | LPCXpresso           |
|---------------------|----------------------|
| GND                 | GND                  |
| VIN (4.5-14V)       | VIN (4.5-5.5V)       |
| VB (battery supply) | not used             |
| nR (reset)          | PIO0_0 RESET         |
| SPI1-MOSI           | PIO0_9 MOSIO/SWO     |
| SPI1-MISO           | PIO0_8 MISO0         |
| SPI1-SCK            | PIO1_29 SCK0         |
| GPIO                | PIO0_2 SSELO         |
| UART1-TX / I2C1-SDA | PIO0_19 TXD          |
| UART1-RX / I2C1-SCL | PIO0_18 RXD          |
| SPI2-MOSI           | PIO0_7               |
| SPI2-MISO           | PIO1_19              |
| SPI2-SCL / UART2-TX | PIO1_20              |
| UART2-RX            | PIO1_21              |
| AIN0                | PIO0_11 AD0          |
| AIN1                | PIO0_12 AD1          |
| AIN2                | PIO0_13 AD2          |
| AIN3 / AOUT         | PIO0_14 AD3          |
| AIN4                | PIO0_15 AD4/SWDIO    |
| AIN5                | PIO0_16 AD5          |
|                     | PIO0_17              |
|                     | PIO0_20              |
|                     | PIO0_6 USB_SOFT_CONN |
|                     | PIO0_10 SWCLK        |
|                     | PIO1_13              |
|                     | PIO1_14              |
|                     | PIO1_15              |



| LPCXpresso   | mbed              |
|--|-------------------|
| VOUT (+3.3V out) if self powered, else +3.3V input | VOUT (3.3V out)   |
| not used   | VU (5.0V USB out) |
| not used   | IF+               |
| not used   | IF-               |
| not used   | RD- (Ethernet)    |
| not used   | RD+ (Ethernet)    |
| not used   | TD- (Ethernet)    |
| not used   | TD+ (Ethernet)    |
| USB-DM   | D- (USB)          |
| USB-DP   | D+ (USB)          |
| PIO0_1   | CAN-RD            |
| PIO0_3   | USB-VBUS          |
| PIO0_5   | I2C-SDA           |
| PIO0_4   | I2C-SCL           |
| PIO0_21  | MAT=PWM           |
| PIO0_22  | MAT=PWM           |
| PIO0_23  |                   |
| PIO1_22  |                   |
| PIO1_23  |                   |
| PIO1_24  |                   |
| PIO1_25  |                   |
| PIO1_26  |                   |
| PIO1_27  |                   |
| PIO1_28  |                   |
| PIO1_31  |                   |
| PIO1_16  |                   |
| GND  |                   |



© Embedded Artists AB

TITLE: LPCXpresso LPC11U14 rev A

Document Number:

REV:

Date: 2012-08-21 09:37:59

Sheet: 6/6