

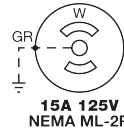
Midget Twist-Lock® Devices 15A, 125V AC; 2 Pole, 3 Wire Grounding Connector

HUBBELL



Features

- Abuse resistant nylon housing
- Phenolic body for high heat resistance
- Angled body design for low profile in tight spaces



Ordering Information

Description	Cord Diameter	UPC	Catalog Number
Black angled connector.	.335"-.421" (8.5-10.7)	783585237695	HBL7571

Listings

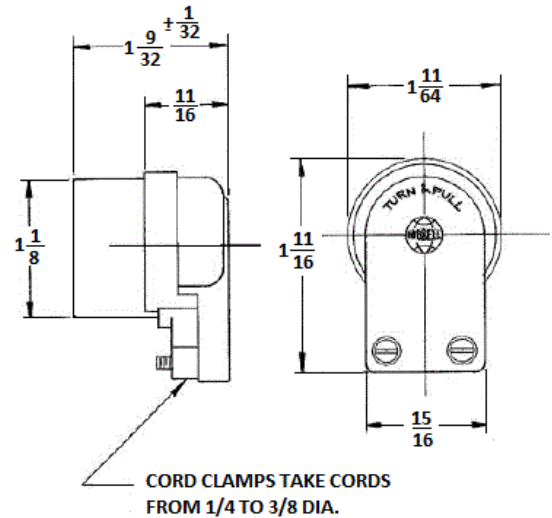
Listed to UL 498
Certified to CSA C22.2 No.42

Specifications

Housing	Nylon
Contacts	Brass
Contact Holder	Phenolic
Terminal Screws	#5-40 Brass
Terminal Clamp	Nylon

Performance

Electrical	
Current Interrupting	Certified for current interrupting at full rated current
Dielectric Voltage	Withstands 2,000V minimum
Mechanical	
Terminal Accomodation	#18 AWG - #14 AWG stranded copper wire only.
Terminal Identification	Terminals identified in accordance with UL 498
Environmental	
Flammability	HB or better per UL94/CSA 22.2 No.0.17
Moisture Resistance	IP20 Suitability
Operating Temperatures	Maximum Continuous 75°C Minimum -40°C (w/o impact)



Accessories

Angled Plug	HBL7570
Nylon Flanged Inlet	HBL7595N
Stainless Steel Flanged Inlet	HBL7595
StainlessSteel Flanged Inlet with HBL7551	
Covered Terminals	

Resources

Customer Use Drawing
eCatalog

Dimensions in Inches (mm)

Hubbell Wiring Device-Kellems • Hubbell Incorporated (Delaware) • 40 Waterview Drive • Shelton, CT 06484

Phone (800) 288-6000 • Fax (800) 255-1031 • Specifications subject to change without notice.

