

PLEASE CHECK WWW.MOLEX.COM FOR LATEST PART INFORMATION

Part Number: [0428150144](#)
Status: **Active**
Overview: Mini-Fit Sr.™ Power Connectors
Description: Mini-Fit Sr.™ Crimp Terminal, Female, 14-16 AWG, Silver (Ag)

Documents:

[Drawing \(PDF\)](#) [Test Summary TS-42815-004 \(PDF\)](#)
[Product Specification PS-42815-001 \(PDF\)](#) [RoHS Certificate of Compliance \(PDF\)](#)

General

Product Family	Crimp Terminals
Series	42815
Application	Power
Comments	High Current/Low Force See Product Specification for maximum current rating by circuit size and application.
Crimp Quality Equipment Overview	Yes
Product Name	Mini-Fit Sr.™ Power Connectors
UPC	Mini-Fit Sr.™ 889056241779

Physical

Gender	Female
Material - Metal	High Performance Alloy (HPA)
Material - Plating Mating	Silver over Nickel
Material - Plating Termination	Tin over Nickel
Net Weight	1.381/g
Packaging Type	Reel
Plating min - Mating	2.540µm
Plating min - Termination	2.540µm
Termination Interface: Style	Crimp or Compression
Wire Insulation Diameter	4.57mm max.
Wire Size AWG	14, 16
Wire Size mm²	N/A

Electrical

Current - Maximum per Contact	50.0A
-------------------------------	-------

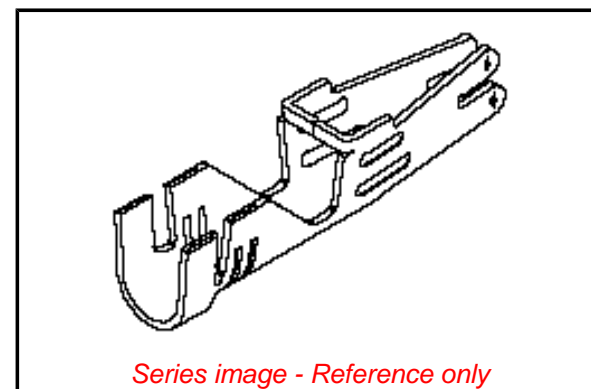
Solder Process Data

Lead-freeProcess Capability	N/A
-----------------------------	-----

Material Info

Reference - Drawing Numbers

Product Specification	PS-42815-001
Sales Drawing	SD-42815-020
Test Summary	TS-42815-004



Series image - Reference only

EU ELV

Not Relevant

EU RoHS

Compliant

REACH SVHC

Contains SVHC(2014 December 17): No

Halogen-Free

Status

Low-Halogen

Need more information on product environmental compliance?

Email productcompliance@molex.com
Please visit the [Contact Us](#) section for any non-product compliance questions.

China ROHS

ELV

Green Image

Not Relevant

Search Parts in this Series

[42815 Series](#)

Use With

Mini-Fit Sr.™ Receptacle Housing [42816](#) , [43914](#)