

**PLEASE CHECK WWW.MOLEX.COM FOR LATEST PART INFORMATION**

**Part Number:** [0747370004](#)  
**Status:** **Active**  
**Overview:** SFP+ and SFP Interconnect Solutions  
**Description:** Small Form-Factor Pluggable (SFP) One Piece Cage, EMI Shielding, 2.29mm Press-Fit Tails, Belly-to-Belly

**Documents:**

[3D Model](#) [Application Specification AS-74737-001 \(PDF\)](#)  
[Drawing \(PDF\)](#) [RoHS Certificate of Compliance \(PDF\)](#)  
[Product Specification PS-74737-0010 \(PDF\)](#)

**General**

Product Family	I/O Connectors
Series	<a href="#">74737</a>
Application	Module-to-Board
Comments	Belly-to-Belly
Component Type	Cage Assembly, EMI Shield
Overview	<a href="#">SFP+ and SFP Interconnect Solutions</a>
Product Name	SFP
Type	N/A
UPC	822348520930

**Physical**

Boot Color	N/A
Circuits (Loaded)	N/A
Keying to Mating Part	None
Lock to Mating Part	Yes
Material - Metal	Copper Alloy
Material - Plating Mating	N/A
Net Weight	4.313/g
Orientation	Right Angle
PCB Locator	Yes
PCB Retention	Yes
PCB Thickness - Recommended	1.57mm
Packaging Type	Tray
Panel Mount	Yes
Pitch - Mating Interface	N/A
Polarized to Mating Part	Yes
Polarized to PCB	N/A
Surface Mount Compatible (SMC)	N/A
Termination Interface: Style	Through Hole - Compliant Pin
Waterproof / Dustproof	Yes
Wire Size AWG	N/A

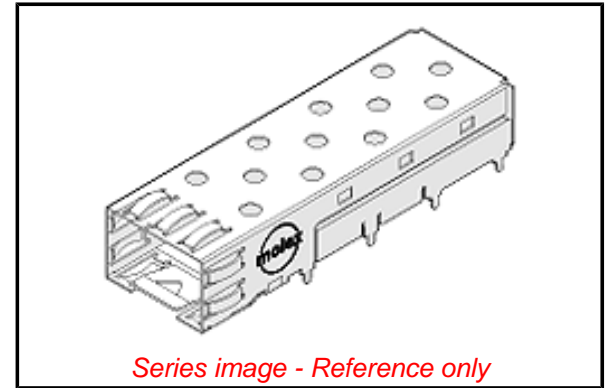
**Electrical**

Current - Maximum per Contact	N/A
Grounding to Panel	N/A
Shield Type	EMI Fingers, EMI Gasket
Shielded	Yes

**Material Info**

**Reference - Drawing Numbers**

Application Specification	AS-74737-001
Product Specification	PS-74737-0010
Sales Drawing	SD-74737-004



**EU ELV**

**Not Relevant**

**EU RoHS**

**Compliant**

**China RoHS**

**REACH SVHC**

Contains SVHC(2014 December 17): No

**Halogen-Free**

**Status**

**Low-Halogen**

**Need more information on product environmental compliance?**

Email [productcompliance@molex.com](mailto:productcompliance@molex.com)  
Please visit the [Contact Us](#) section for any non-product compliance questions.

China ROHS

ELV

Green Image

Not Relevant

**Search Parts in this Series**

[74737](#) Series

**Mates With**

[74720](#) SFP Copper Module, [73929](#) SFP Cable Assembly, Passive, 2 Gbps, [73930](#) SFP Cable Assembly, Active, 2 Gbps, [74742](#) SFP Cable Assembly, Passive, 4 Gbps, [74743](#) SFP Cable Assembly, Active, 4 Gbps

**Use With**

[74441](#) Connector

**Application Tooling | FAQ**

*Tooling specifications and manuals are found by selecting the products below. Crimp Height Specifications are then contained in the Application Tooling Specification document.*

**Global**

**Description**

**Product #**

Multi-Port Connector [0622029745](#)  
Tooling  
Removal Tool for [0622029750](#)  
1 by 1 Small Form-  
Factor Pluggable

This document was generated on 06/29/2015

**PLEASE CHECK [WWW.MOLEX.COM](http://WWW.MOLEX.COM) FOR LATEST PART INFORMATION**