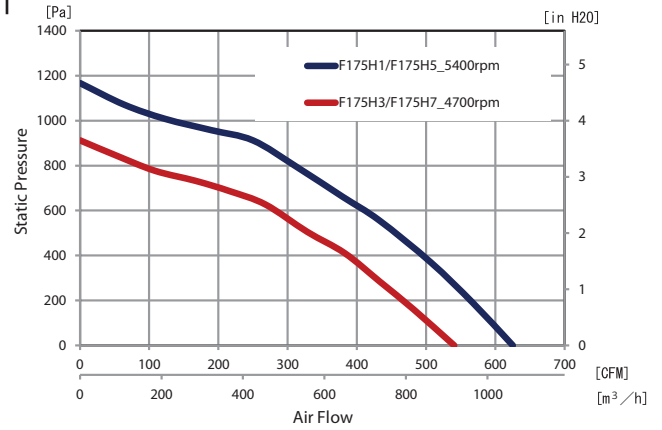




Characteristic Curves



General Specifications

Motor Protection:

Locked Rotor, Reverse Polarity

Insulation Resistance:

10M Ω min measured with 500V DC between all leads shorted together and case

Dielectric Withstand Voltage: AC 500V 1 minute

Allowable Ambient Temperature Range:

-30°C ~ +70°C (Operating)
-40°C ~ +80°C (Storage)

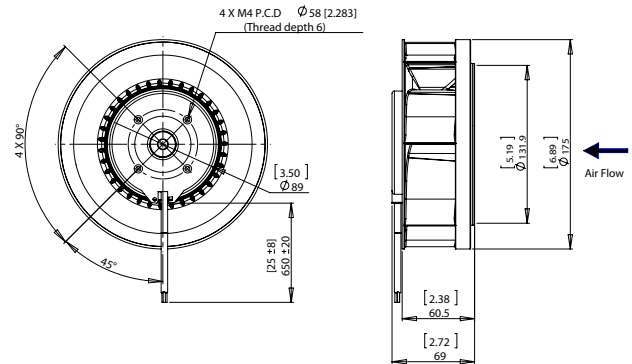
Expected Life

L10 Life:

40°C 70,000 Hours

Outline

Units: $\frac{[inch]}{mm}$



Material

Impeller : Plastic
Bearing : Ball Bearing
Lead Wire : UL1430, AWG18, +Red, -Black
Speed Control : Yellow AWG18
Speed Signal : White AWG18

Specifications

MODEL	PWM in		Tacho out pull up	
	0-5 [V]	0-10 [V]	5 [V]	Open Collector
F175H1-061-D0750	○		○	
F175H5-061-D0750		○		○
F175H3-061-D0540	○		○	
F175H7-061-D0540		○		○

MODEL	Rated Voltage	Operating Voltage	Current	Input Power	Speed	Max. Air Flow		Max. Static Pressure		Noise	Mass
	(V)	(V)	(A) ^{*1}	(W) ^{*1}	(min ⁻¹) ^{*1}	CFM ^{*1}	(m³/hr) ^{*1}	in H2O	(Pa) ^{*1}	(dB) ^{*1}	(g)
F175H1-061-D0750	48	36 ~ 72	3.8	182	5400	610	1036	4.19	1046	78	900
F175H5-061-D0750	48	36 ~ 72	3.8	182	5400	610	1036	4.19	1046	78	900
F175H3-061-D0540	24	18 ~ 30	4.7	113	4700	541	920	3.49	870	74	900
F175H7-061-D0540	24	18 ~ 30	4.7	113	4700	541	920	3.49	870	74	900

Rotation: Clockwise looking at air inlet

*1: Average Values in Free Air and Rated Voltage Condition