

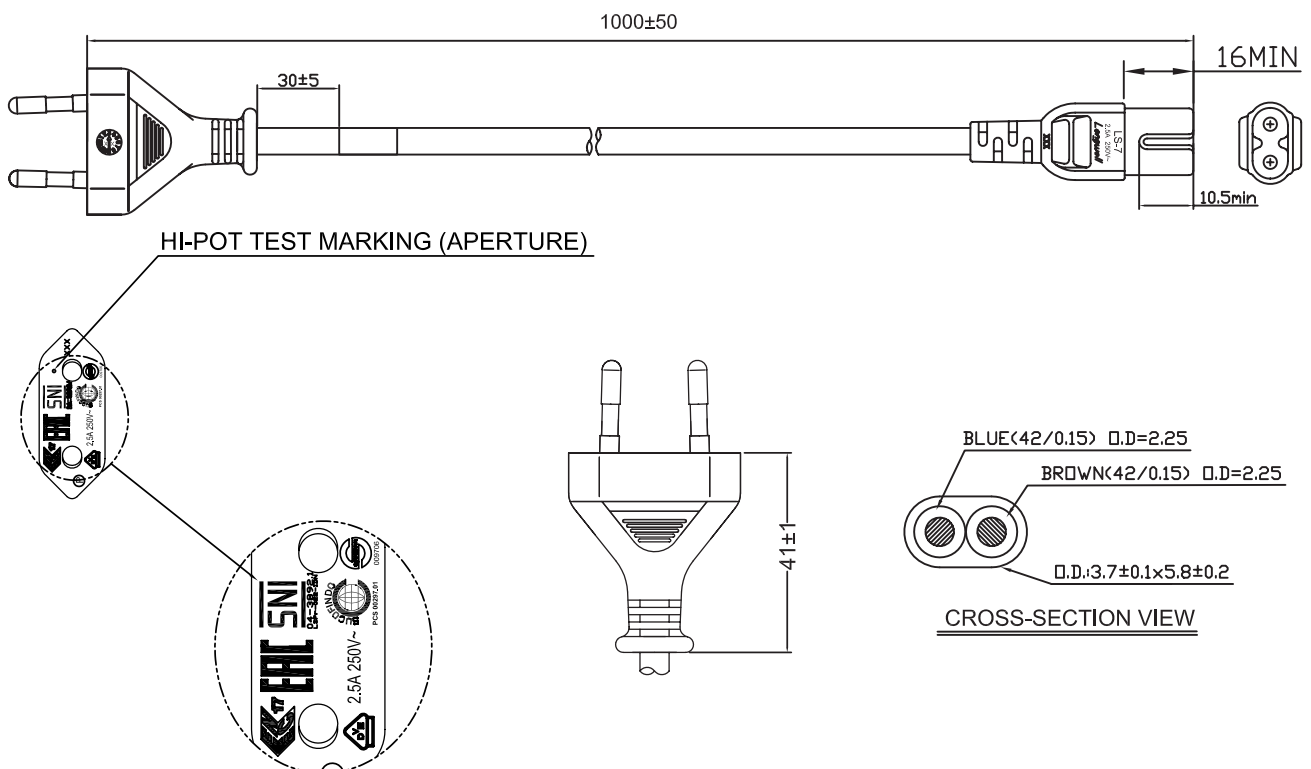
Power Cord

pro-POWER

RoHS
Compliant

Specifications:

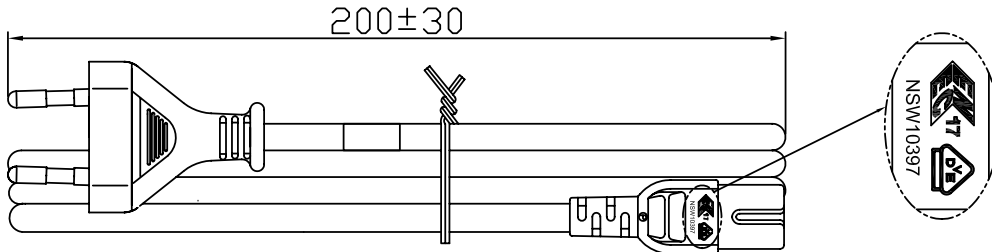
Cable Length - Imperial	: 3.3 Ft
Cable Length - Metric	: 1m
Connector Type A	: CEE 7/7 Plug
Connector Type B	: IEC 60320 C7
Jacket Colour	: Black
Cord Type	: H03VVH2-F
Shielding Material	: PVC
Insulation(Single or Double)	: Single
Insulation Material	: PVC
Conductor Type	: Annealed Soft Bare Copper
Number of Conductors	: 2
Conductor Size	: 0.75mm ²
Conductor Construction	: 42/0.15
Cord Jacket Diameter	: 3.7 ±0.1 × 5.8 ±0.2
Voltage Rating	: 250V
Current Rating	: 2.5A
Temperature Rating	: 70°C



Dimensions : Millimetres





www.element14.com
www.farnell.com
www.newark.com
www.cpc.co.uk

pro-POWER



Dimensions : Millimetres

INDENT CABLE MARKING:

◁VDE▷KEMA-KEUR  KTL SU01001-4002  A003145 60227 IEC 52(RVV)
 010906 SUCOFINDO  04-6629.5 H03VVH2-F 2x0.75mm² 300/300V

Note:

1. Cable : The cord shall comply with IEC60227
2. Plug : The molded plug shall comply with CEE PUB 7
2. Connector : The molded connector shall comply with IEC 60320-1 Standards (C5 Connector)
3. The product shall be tested 100% for all safety electrical items

Part Number Table

Description	Part Number
Power Cord, CEE 7/7 Plug-IEC C7, 1m	GW-151602

Important Notice : This data sheet and its contents (the "Information") belong to the members of the Premier Farnell group of companies (the "Group") or are licensed to it. No licence is granted for the use of it other than for information purposes in connection with the products to which it relates. No licence of any intellectual property rights is granted. The Information is subject to change without notice and replaces all data sheets previously supplied. The Information supplied is believed to be accurate but the Group assumes no responsibility for its accuracy or completeness, any error in or omission from it or for any use made of it. Users of this data sheet should check for themselves the Information and the suitability of the products for their purpose and not make any assumptions based on information included or omitted. Liability for loss or damage resulting from any reliance on the Information or use of it (including liability resulting from negligence or where the Group was aware of the possibility of such loss or damage arising) is excluded. This will not operate to limit or restrict the Group's liability for death or personal injury resulting from its negligence. pro-POWER is the registered trademark of the Group. © Premier Farnell plc 2012.