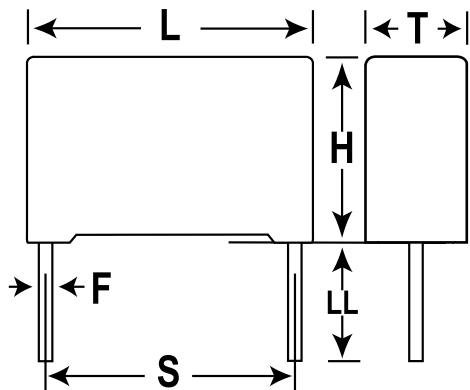


Capacitor, film, 1000 pF, +/-5% Tol, -55/+105C, General Purpose, 1000 VDC@85C, Lead Spacing=7.5 mm



Dimensions (mm)		
Symbol	Dimension	Tolerance
L	10	+0.2
H	9	+0.1
T	4	+0.1
S	7.5	+/-0.4
LL	4	+1.5
F	0.6	+/-0.05

Notes:

-L,H,T are nominal dimensions and do not imply a minimum.

General Information	
Supplier:	KEMET
Dielectric:	Double Metallized Polypropylene
Application:	General Purpose
Sub Application:	AEC-Q200
Style:	Radial Box
Lead Form:	cut
RoHS:	Yes

Specifications	
Capacitance:	1000 pF
Voltage:	1000 VDC
Tolerance:	+/-5%
Voltage AC:	400 VAC
Rated Temperature:	85C
Temperature Range:	-55/+105C
Dissipation Factor @ 1 kHz:	0.1%
Dissipation Factor @ 10 kHz:	0.06%
Dissipation Factor @ 100kHz:	0.1%
Insulation Resistance:	100 GOhm
Inductance:	8
Maximum dVdT:	6000 v/us
Miscellaneous:	Voltage Derating: 1.35%/C above 75C (AC), 1.25%/C above 85C (DC)

Packaging Specifications	
Package Kind:	Bulk
Package Quantity:	2000