



## Main

Range of product	Magelis iDisplay
Product or component type	Flat screen
Terminal type	Touchscreen display
Device mounting	Flush
Integrated connection type	USB 2.0 type mini B (drivers up to Windows 8.1) USB 2.0 type A DVI-D video port

## Complementary

Provided equipment	1 USB cable mini B USB 2.0 1 cable USB type A of 5 m 1 cable DVI-D of 5 m
Function available	Brightness sensor
[Us] rated supply voltage	12...24 V DC power supply
Power consumption	17 W
Display size	12.1 inch
Display type	Colour TFT LCD
Display resolution	1024 x 768 pixels XGA
Display colour	16 million colours
Luminance	>= 400 cd/m <sup>2</sup> >= 100 cd/m <sup>2</sup>
Backlight lifespan	50000 hours
Touch panel	Multi touch analogue resistive, >= 1000000 cycles
Type of installation	Indoor installation
Cut-out dimensions	301.5 (+ 1/- 0) x 227.5 (+ 1/- 0) mm
Width	315 mm
Height	241 mm
Depth	67 mm
Product weight	3.9 kg

## Environment

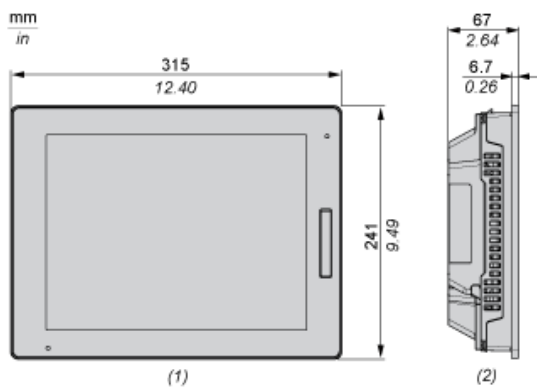
IP degree of protection	IP66f (front panel) conforming to UL 50E IP67f (front panel)
NEMA degree of protection	NEMA 4X/13 (front panel)
Standards	CSA C22.2 No 142 CSA C22.2 No 213 : class I division 2 ANSI/ISA 12-12-01 UL 508
Product certifications	CE RCM EAC
Ambient air temperature for operation	0...60 °C conforming to EN 61131-2, UL
Ambient air temperature for storage	-20...60 °C
Pollution degree	2
Vibration resistance	9.8 m/s <sup>2</sup> (f = 9...150 Hz) conforming to IEC 61131-2 3.5 mm constant amplitude (f = 5...9 Hz) conforming to IEC 61131-2
Shock resistance	147 m/s <sup>2</sup> conforming to EN/IEC 61131-2

## Offer Sustainability

Sustainable offer status	Not Green Premium product
RoHS (date code: YYWW)	Compliant - since 1441 - <a href="#">Schneider Electric declaration of conformity</a>
REACH	Reference not containing SVHC above the threshold

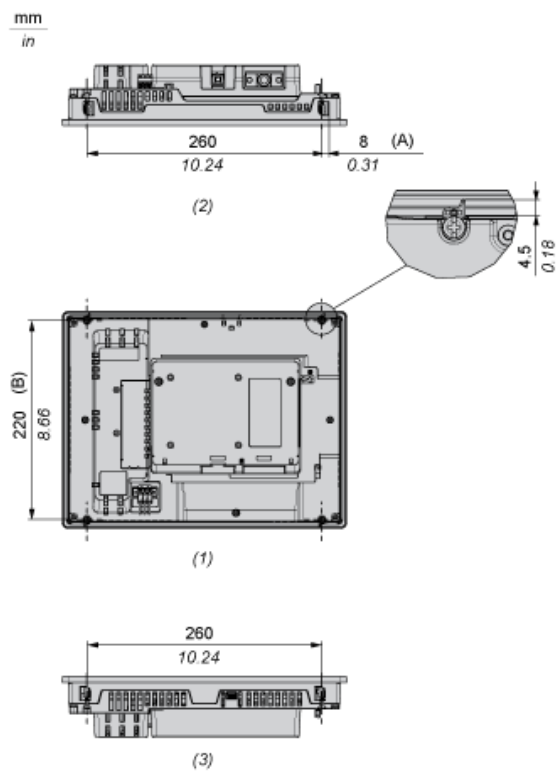
Dimensions

External Dimensions



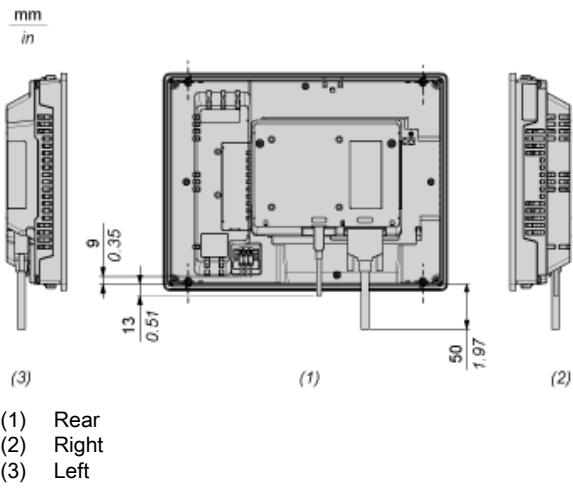
- (1) Front
- (2) Left

Installation with Installation Fasteners



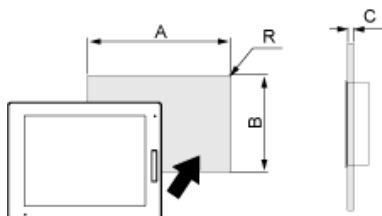
- (A) Rotation area of the fastener
- (B) Pitch of the centre of installation fastener screws
- (1) Rear
- (2) Bottom
- (3) Top

## Dimensions with Cables



Mounting

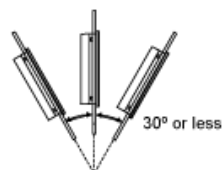
Panel Cut Dimensions



A		B		C		R	
mm	in.	mm	in.	mm	in.	mm	in.
301.5 (+1/-0)	11.87 (+0.04/-0)	227.5 (+1/-0)	8.96 (+0.04/-0)	1.6...5	0.06...0.2	3 max.	0.12 max.

Installation Requirements

Mounting Angle



When installing this product in a slanted position with an incline more than 30°, the ambient temperature must not exceed 40 °C (104 °F). You may need to use forced air cooling (fan, A/C) to ensure the ambient operating temperature is 40 °C or less (104 °F or less).

Clearance

